

1100 Series FX-1160

High Output, Short Arc Xenon Flashlamp with Internal Reflector



Description

The FX-1160 Reflector Lamp has greater than 40% more usable light intensity than our standard FX-1150 and is completely interchangeable. Excelitas customers have the option of either taking advantage of the greatly increased light output or they can operate the FX-1160 at a reduced input energy. Lower energy operation equates to increased lamp life and stability.

The hemispherical reflector internal to the FX-1160 should not be confused with competitive types employing paraboloids or ellipsoids in which all of the forward direct light is nonrecoverable and becomes a serious source of optical scattering. Excelitas' FX-1160 has an electrode orientation which does not block the forward light emission and therefore does not cause a "black hole" in the output beam profile.

The optical design of the FX-1160 is ideal for use with lenses and fiber bundles, and provides the additional advantage of reduced optical noise by preventing back-plane scattering caused by the pin base. Applications that will benefit from this new Excelitas product introduction include: Absorption Spectroscopy, Fluorimetry, HPLC and Machine Vision.

Features

- Greater than 40% more usable light intensity than FX-1150
- Ideal for use with Optical Lenses and Fiber Bundles
- Low optical "noise"
- Continuous spectrum UV-VIS-IR •

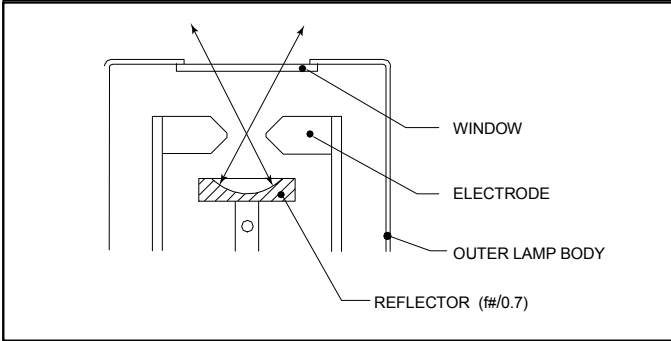
Long life

- Low heat radiation
- Microsecond flash duration
- High efficiency output in the blue
- Interchangeable with FX-1150

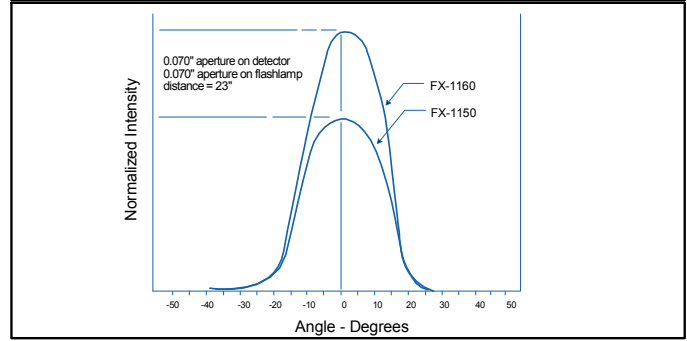
FX-1160, High Output Short Arc Xenon Flashlamp with Internal Reflector

Type	Arc Length (mm)	Spectral Distribution (nm)	Window Material	Energy per Flash (joules)	Average Power (watts)	Voltage (Vdc)	Flash Rate (Hz)	Life (flashes)	Typical Light Output Stability (3)	Spatial Movement	Lite-Pac Type
FX 1160	1.5	225 - 1100+	Borosilicate	0.5	20	350 - 1000	300	+/- 1% CV	variation	<0.1 mm	FYD 1150
FX 1161		190 - 1100+	UV								
FX 1162		120 - 1100+	VUV								
FX 1163	3.0	225 - 1100+	Borosilicate	0.5	20	350 - 1000	300	+/- 1% CV	variation	<0.1 mm	FYD 1150
FX 1164		190 - 1100+	UV								
FX 1165		120 - 1100+	VUV								

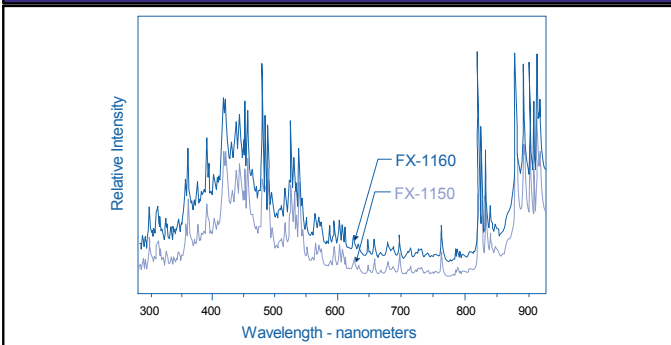
Optical Profile of FX-1160



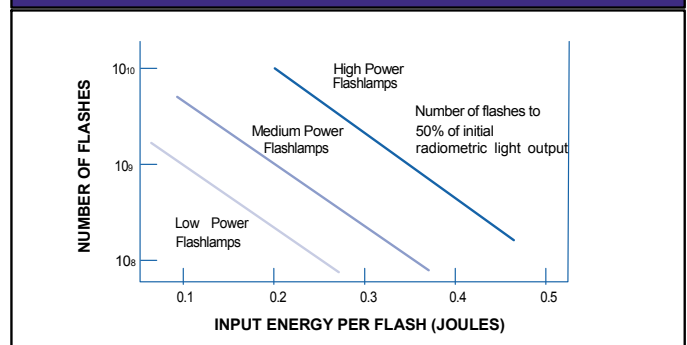
Output Beam Profile



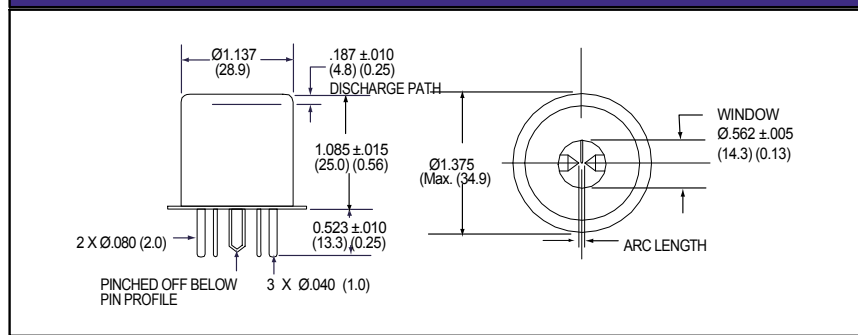
Spectral Data



Life vs. Input Energy



Outline Dimensions



For more information email us at generalinquiries@excelitas.com or visit our web site at www.excelitas.com
 Note: All specifications subject to change without notice.

USA:
 Excelitas Technologies
 35 Congress Street
 Salem, MA 01970
 Toll Free: (800) 950-3441 (USA)
 Phone: (978) 745-3200
 Fax: (978) 745-0894

Europe:
 Excelitas Technologies
 Wenzel-Jaksch-Str. 31, D-65199
 Weisbaden, Germany
 Phone: +49 (0) 611-492-437
 Fax: +49 (0) 611-492-159

Asia:
 Excelitas Technologies
 47 Ayer Rajah Crescent #06-12
 Singapore 139947
 Phone: +65 775 2022
 Fax: +65 775 1008



