

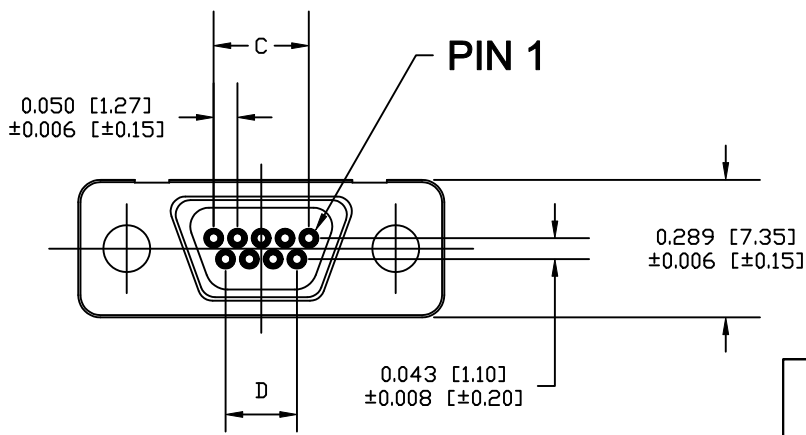
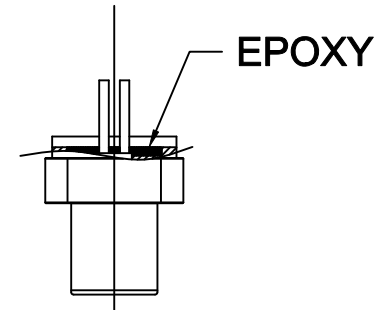
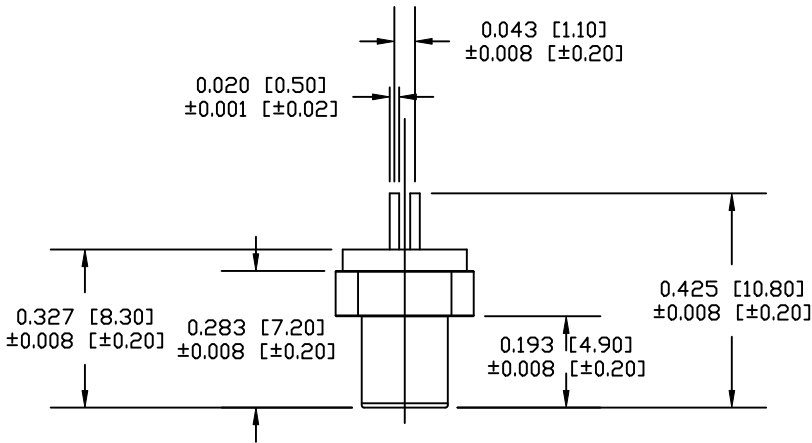
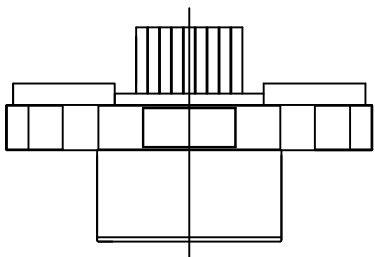
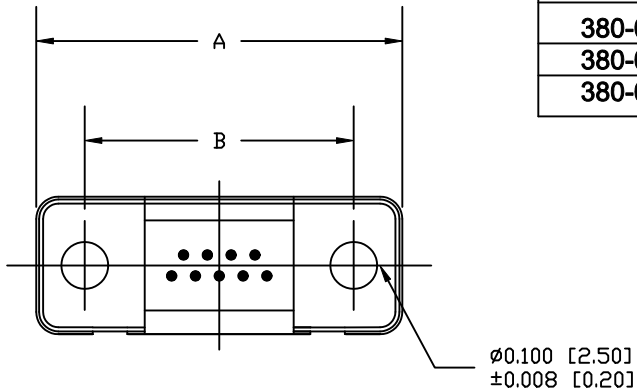
DESCRIPTION: MICRO D-SUB CONNECTOR - FEMALE

PART NUMBER	# OF PINS	A	B	C	D
380-009-213L001	9	0.770 [19.55]	0.565 [14.35]	0.200 [5.08]	0.150 [3.81]
380-015-213L001	15	0.919 [23.36]	0.717 [18.20]	0.350 [8.89]	0.300 [7.62]
380-025-213L001	25	1.169 [29.70]	0.967 [24.55]	0.600 [15.24]	0.550 [13.97]

TOLERANCE = ±0.006 [±0.15]

ELECTRICAL

CONTACT CURRENT RATING: 1 AMP
 DIELECTRIC WITHSTANDING VOLTAGE: 500 VAC
 INSULATION RESISTANCE: 1000 MOhms MIN.
 CONTACT RESISTANCE: 45 MILLI Ohms MAX.
 OPERATING TEMPERATURE: -55°C TO +85°C



MATERIAL:

HOUSING: PBT
 SHELL: ZINC ALLOY
 CONTACTS: BRASS
 15 μ INCH GOLD ENTIRE CONTACT

DO NOT SCALE FROM DRAWING



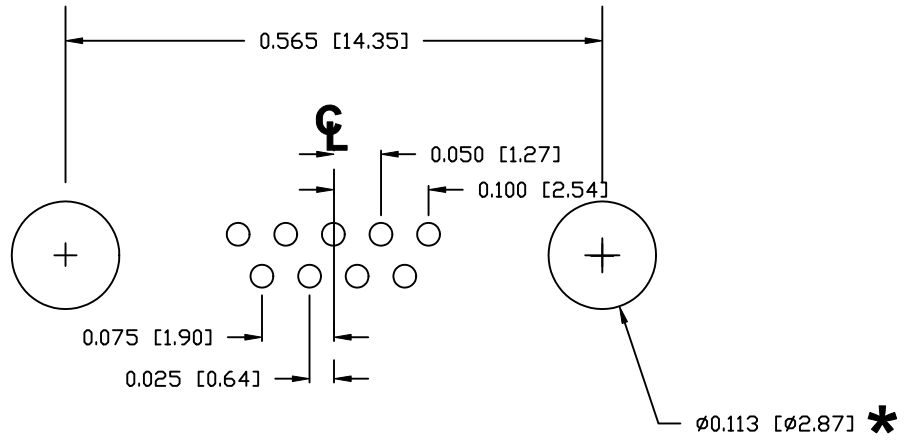
THESE DRAWINGS AND SPECIFICATIONS ARE THE PROPERTY OF NorComp AND SHALL NOT BE REPRODUCED, COPIED OR USED AS THE BASIS FOR THE MANUFACTURE OF SALE OF APPARATUS WITHOUT WRITTEN PERMISSION.

DRAWN: M. SIGMON		DATE: 08-19-11	
CHECKED:		DATE:	
SCALE: 2.5 : 1	SHEET 1	OF 2	REV 3
DWG NO. 380-YYY-213L001			

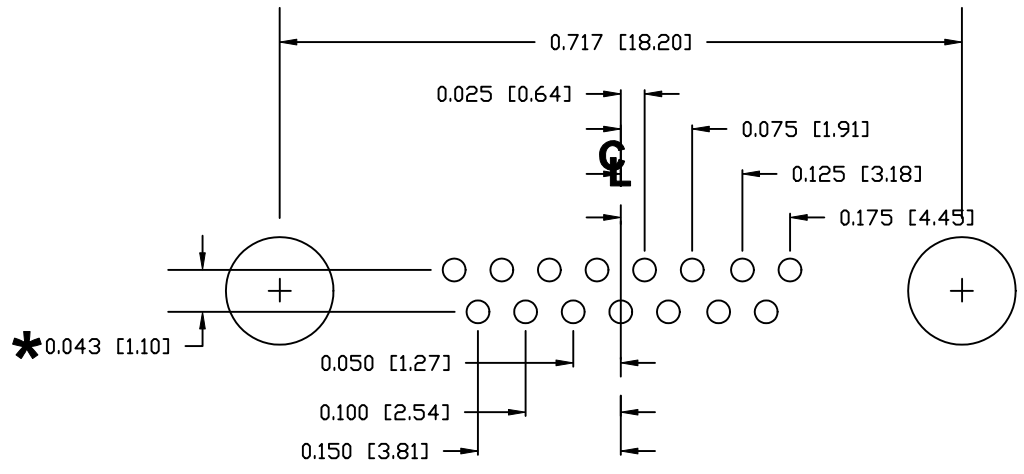
RoHS COMPLIANT

NorComp

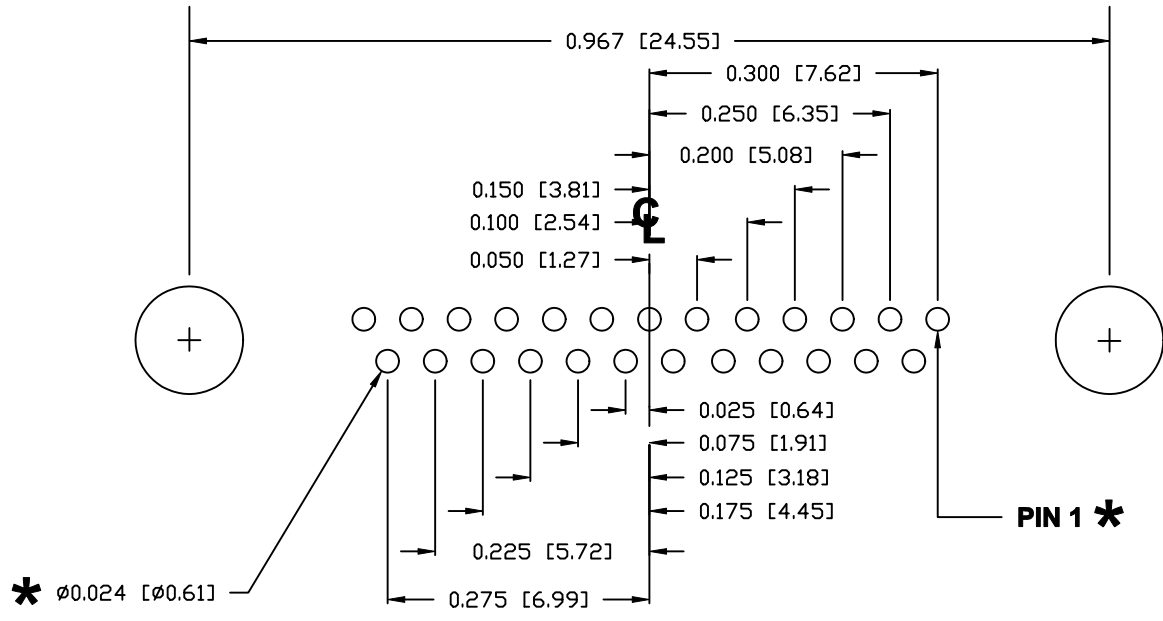
DESCRIPTION: MICRO D-SUB CONNECTOR - PCB LAYOUT



9 POSITION



15 POSITION




25 POSITION

*** TYP. ON ALL SIZES
TOLERANCE = ± 0.002 [± 0.05]**

DO NOT SCALE FROM DRAWING

RoHS COMPLIANT

	THESE DRAWINGS AND SPECIFICATIONS ARE THE PROPERTY OF NorComp AND SHALL NOT BE REPRODUCED, COPIED OR USED AS THE BASIS FOR THE MANUFACTURE OF SALE OF APPARATUS WITHOUT WRITTEN PERMISSION.		DRAWN: M. SIGMON	DATE: 08-19-11
			CHECKED:	DATE:
<h1>NorComp</h1>		SCALE: 5 : 1	SHEET 2 OF 2	REV 3
		DWG NO. 380-YYY-213L001		