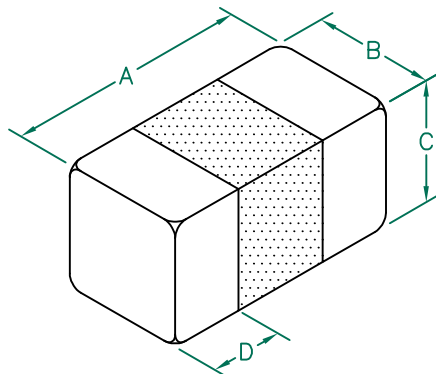


# HZ0201A601R-11

**UNCONTROLLED DOCUMENT**

PHYSICAL DIMENSIONS:

A	0.60 [.024]	±	0.03 [.001]
B	0.30 [.012]	±	0.05 [.002]
C	0.30 [.012]	±	0.05 [.002]
D	0.15 [.006]	±	0.05 [.002]



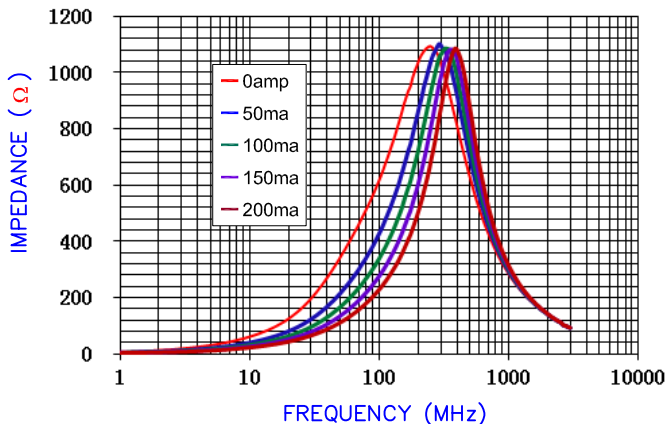
ELECTRICAL CHARACTERISTICS:

	Z @ 100MHz (Ω)	DCR (Ω)	Rated Current
Nominal	600		
Minimum	450		
Maximum	750	1.70	100 mA

NOTES: UNLESS OTHERWISE SPECIFIED

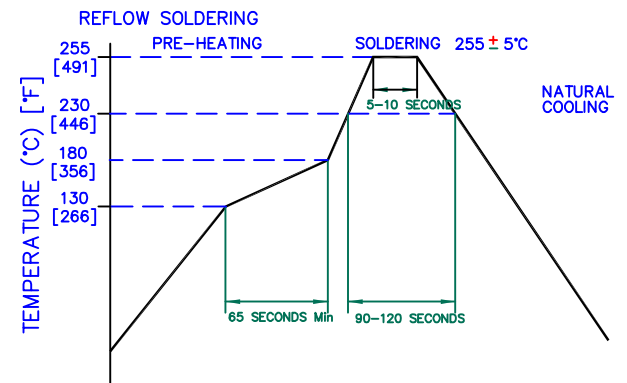
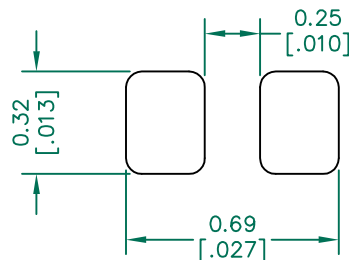
1. TAPED AND REELED per CURRENT EIA SPECIFICATIONS 7" REELS, 15,000 PCS/REEL, PAPER TAPE.
2. TERMINATION FINISH IS 100% TIN.
3. COMPONENTS SHOULD BE ADEQUATELY PREHEATED BEFORE SOLDERING.
4. OPERATING TEMPERATURE TEMP: -40°C~+125°C (INCLUDING SELF-HEATING)

Z vs FREQUENCY IMPEDANCE UNDER DC BIAS

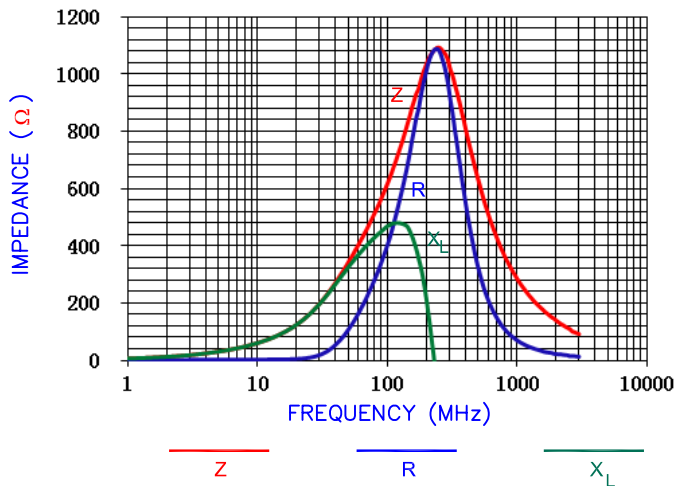


LAND PATTERNS FOR REFLOW SOLDERING

RECOMMENDED SOLDERING CONDITIONS



|Z|, R, AND X vs. FREQUENCY



DIMENSIONS ARE IN mm [INCHES].				This print is the property of Laird Tech. and is loaned in confidence subject to return upon request and with the understanding that no copies shall be made without the written consent of Laird Tech. All rights to design or invention are reserved.		
PROJECT/PART NUMBER:				REV	PART TYPE:	DRAWN BY:
HZ0201A601R-11				A	CO-FIRE	QU
DATE: 08/22/14				SCALE: NTS	SHEET: 1 of 1	
A	ORIGINAL DRAFT	08/22/14	QU	CAD # HZ0201A601R-11-A		
REV	DESCRIPTION	DATE	INT	TOOL #		