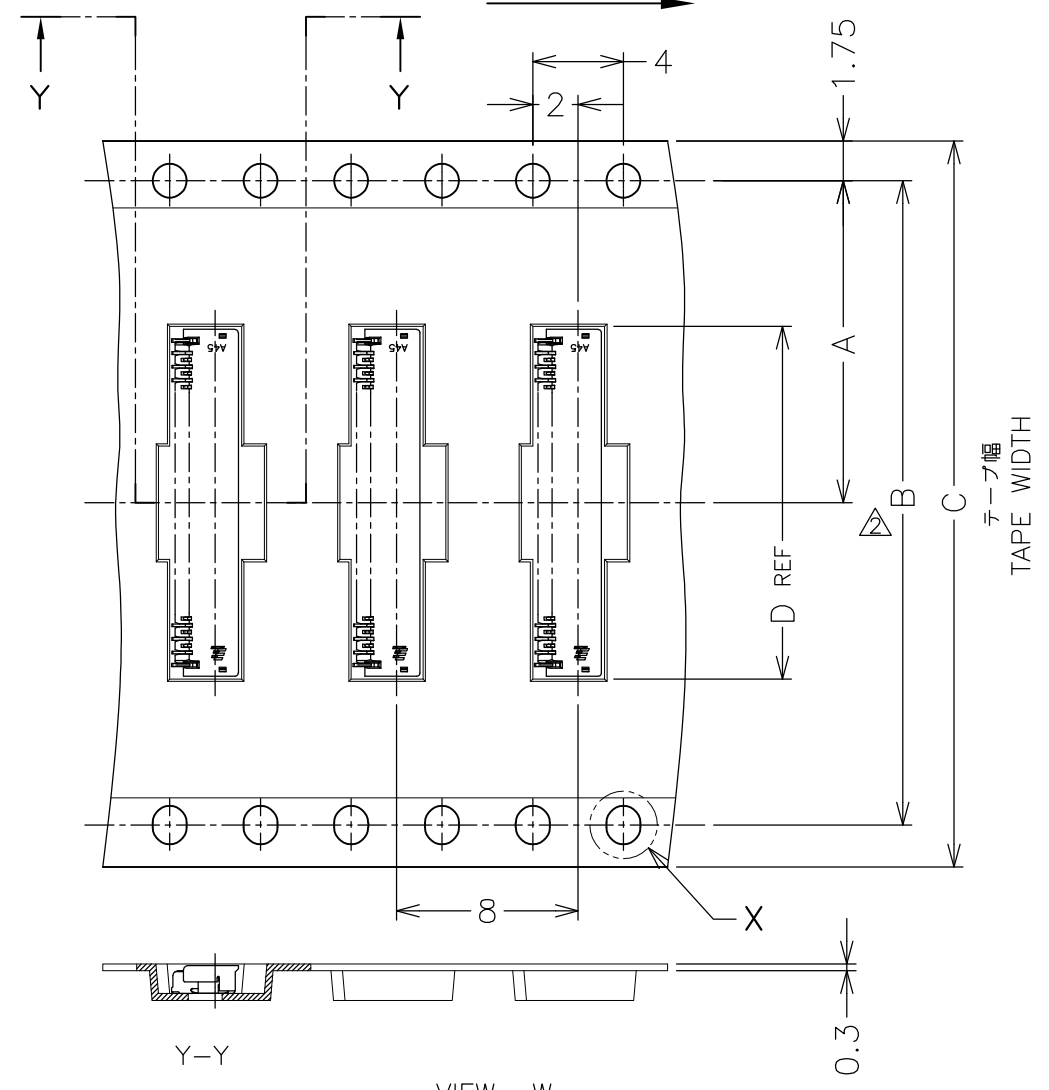


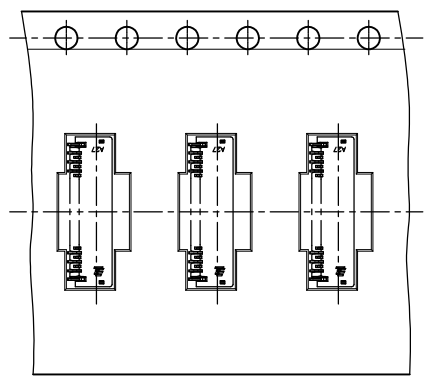
THIS DRAWING IS UNPUBLISHED. RELEASED FOR PUBLICATION
 © COPYRIGHT - By - ALL RIGHTS RESERVED.

LOC	DIST	REVISIONS					
J	-	P	LTR	DESCRIPTION	DATE	DWN	APVD
		E		REVISED PER ECR-11-008941	28JUL11	T.T	T.M

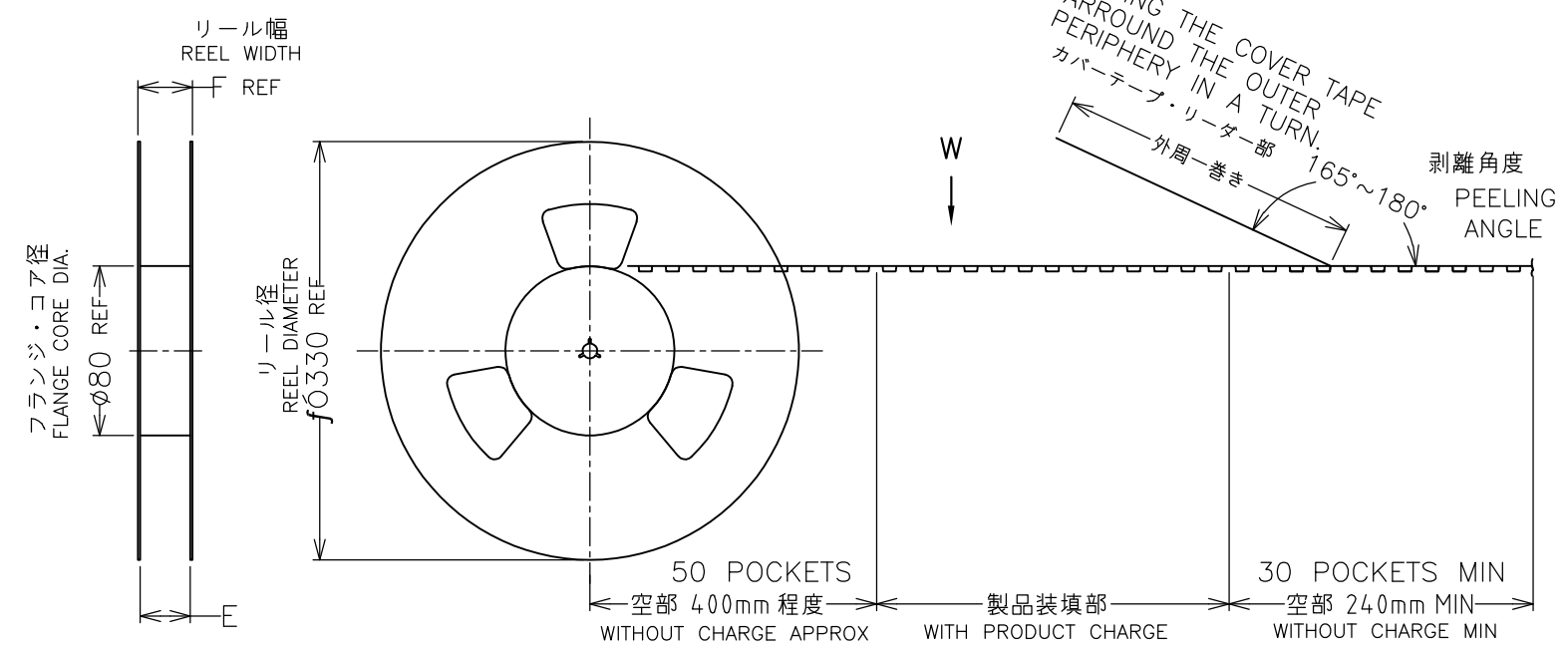
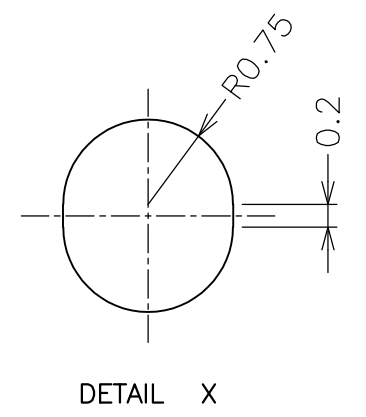
リール引出し方向
DIRECTION OFF TOP OF REEL



VIEW W
テープ幅 32mm以上に適用
APPLIED TAPE WIDTH 32MM, MORE.



VIEW W
テープ幅 12mm, 16mm, 24mm に適用
APPLIED TAPE WIDTH 12MM, 16MM AND 24MM.



- △ GENERAL TOLERANCE
10 ≥ : ±0.2
30 ≥ > 10: ±0.25
100 ≥ > 30: ±0.3
ANGLES: ±3°
- △ DIM. B AND DETAIL "X" APPLIED TAPE WIDE, 32mm MORE.
- △ 一般公差
10以下: ±0.2
10を越え 30以下: ±0.25
30を越え 100以下: ±0.3
角度: ±3°
- △ B寸法及び"X"詳細図は、テープ幅 32mm以上に適用

OBSOLETE	AVAILABLE	0.102g	30.4	24.4	17.35	24	—	11.5	4000	51	2-2013496-1
	AVAILABLE	0.090g	30.4	24.4	15.55	24	—	11.5	4000	45	1-2013496-8
	AVAILABLE	0.083g	30.4	24.4	14.35	24	—	11.5	4000	41	1-2013496-6
	AVAILABLE	0.080g	30.4	24.4	13.75	24	—	11.5	4000	39	1-2013496-5
	AVAILABLE	0.066g	30.4	24.4	11.35	24	—	11.5	4000	31	1-2013496-1
	AVAILABLE	0.062g	30.4	24.4	10.75	24	—	11.5	4000	29	1-2013496-0
	AVAILABLE	0.059g	30.4	24.4	10.15	24	—	11.5	4000	27	2013496-9
OBSOLETE	AVAILABLE	0.048g	22.4	16.4	8.35	16	—	7.5	4000	21	2013496-6
STATUS	CONNECTOR WEIGHT	DIMENSIONS							数量 (ヶ) QTY/REEL	POS.(N)	EMBOSS TAPE PACKAGING PART NUMBER
		F	E	D	C	B	A				

THIS DRAWING IS A CONTROLLED DOCUMENT.

DWN: Y.KODAIRA 29NOV2007
 CHK: T.KUSUHARA 29NOV2007
 APVD: T.KUSUHARA 29NOV2007

TE Connectivity

0.3FPC Narrow BF-L-1.2H
1.2mmH, 2.9mmW, GOLD PLATE

108-78351
411-78302

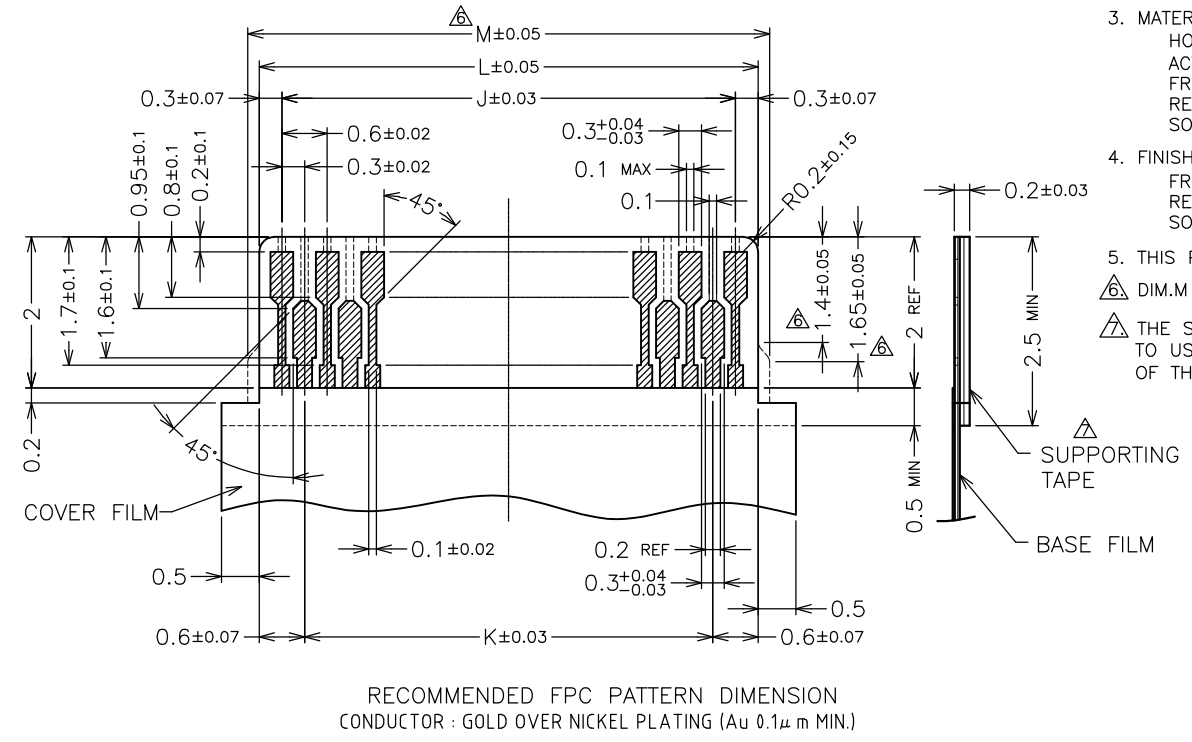
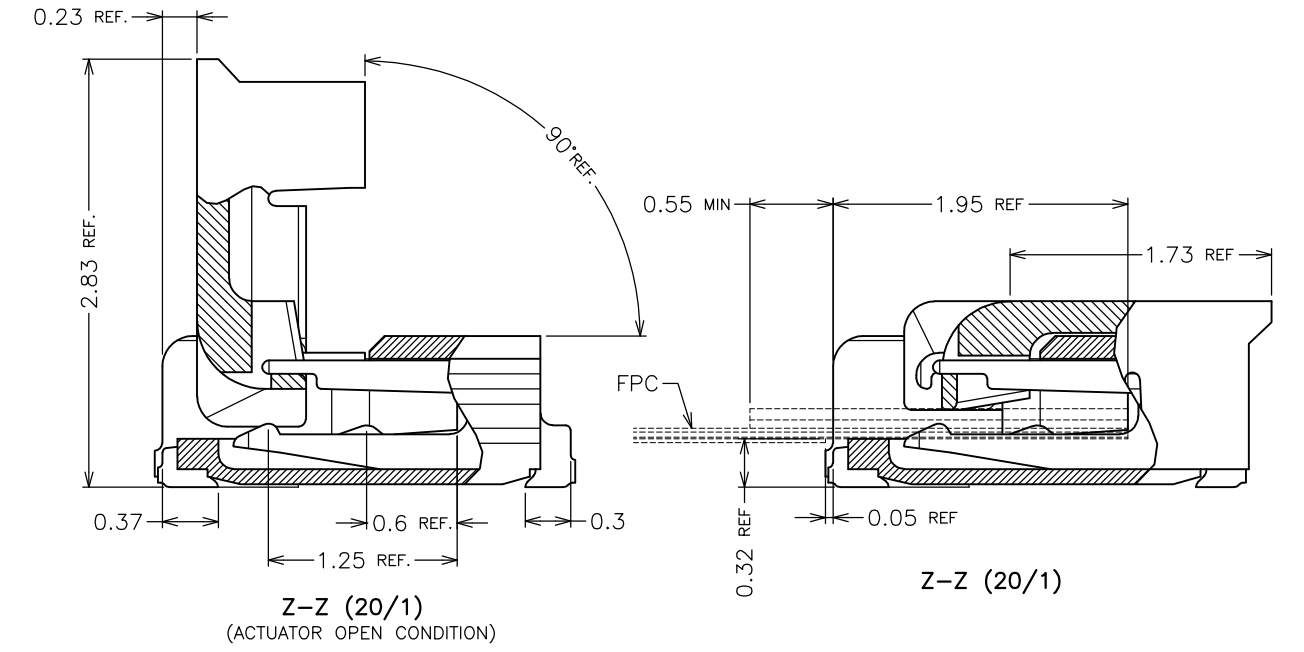
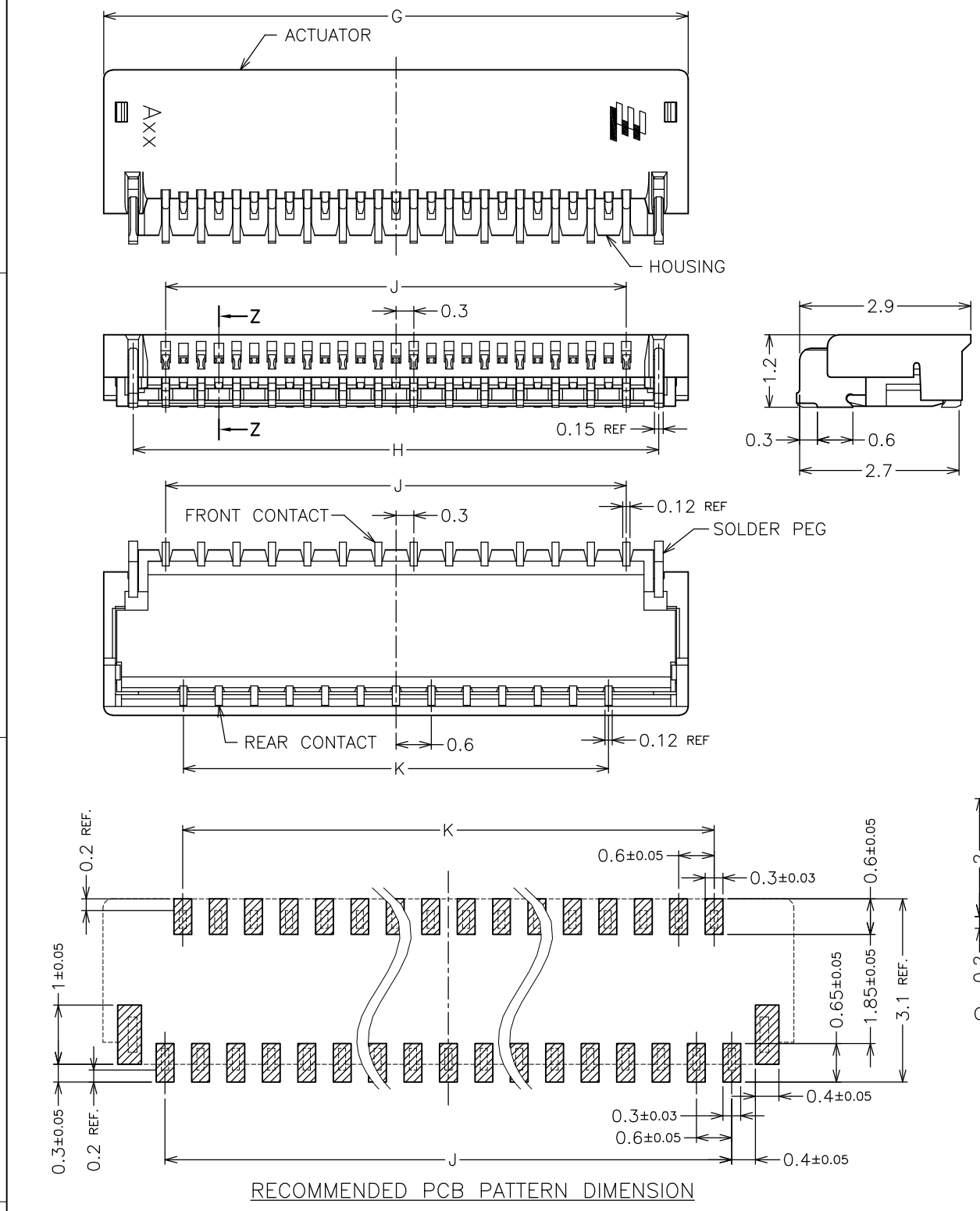
WEIGHT: SEE TABLE
SCALE: 10:1

CAGE CODE: A300779
DRAWING NO: C-2013496
SHEET: 1 OF 2

MATERIAL: SEE NOTE 3
FINISH: SEE NOTE 4

CUSTOMER DRAWING

LOC	DIST	REVISIONS					
J	-	P	LTR	DESCRIPTION	DATE	DWN	APVD
		-		SEE SHEET 1	-	-	-



3. MATERIAL
 HOUSING : GRASS FULLED LCP, UL94V-0 (COLOR : NATURAL)
 ACTUATOR : GRASS FULLED PPS, UL94V-0 (COLOR : BLACK)
 FRONT CONTACT : COPPER ALLOY
 REAR CONTACT : COPPER ALLOY
 SOLDER PEG : COPPER ALLOY
4. FINISH
 FRONT CONTACT : GOLD OVER NICKEL PLATING
 REAR CONTACT : GOLD OVER NICKEL PLATING
 SOLDER PEG : TIN OVER NICKEL PLATING
5. THIS PRODUCT IS THE NICKEL DAM TYPE.
 ⚠ DIM.M IS APPLIED BELOW 25PINS.
 ⚠ THE SUPPORTING TAPE OF FPC IS RECOMMENDED TO USE THE POLYIMIDE OR THE EQUIVALENT MATERIAL OF THE THICKNESS OF 50um OR MORE.
3. 材質
 ハウジング : ガラス繊維入りLCP樹脂 UL94V-0 (色:乳白色)
 アクチュエーター : ガラス繊維入りPPS樹脂 UL94V-0 (色:黒)
 フロントコンタクト : 銅合金
 リアコンタクト : 銅合金
 ソルダーペグ : 銅合金
4. めっき
 フロントコンタクト : 金めっき (ニッケル下地めっき)
 リアコンタクト : 金めっき (ニッケル下地めっき)
 ソルダーペグ : スズめっき (ニッケル下地めっき)
5. 本品は、Niダム仕様のコネクタである。
 ⚠ DIM.Mは、25POS.以下に適用。
 ⚠ FPCの補強板には、厚さ50μm以上のポリイミドまたは相当材の使用を推奨する。

—	15.6	14.4	15.0	16.1	17.1	51	2-2013496-4
—	13.8	12.6	13.2	14.3	15.3	45	1-2013496-8
—	12.6	11.4	12.0	13.1	14.1	41	1-2013496-6
—	12.0	10.8	11.4	12.5	13.5	39	1-2013496-5
—	9.6	8.4	9.0	10.1	11.1	31	1-2013496-1
—	9.0	7.8	8.4	9.5	10.5	29	1-2013496-0
—	8.4	7.2	7.8	8.9	9.9	27	2013496-9
6.9	6.6	5.4	6.0	7.1	8.1	21	2013496-6
M ⚠	L	K	J	H	G	POS.	CONN. PART No.

THIS DRAWING IS A CONTROLLED DOCUMENT.

DIMENSIONS: mm

TOLERANCES UNLESS OTHERWISE SPECIFIED:
 0 PLC ± 0.3
 1 PLC ± 0.3
 2 PLC ± 0.3
 3 PLC ± 0.3
 4 PLC ± 0.3
 ANGLES ± 3°

MATERIAL: SEE NOTE 3
 FINISH: SEE NOTE 4

DWN
CHK
APVD
PRODUCT SPEC
APPLICATION SPEC
WEIGHT
CUSTOMER DRAWING

STE TE Connectivity

NAME: 0.3FPC Narrow BF-L-1.2H
1.2mmH, 2.9mmW, GOLD PLATE

SIZE: A3
CAGE CODE: 00779
DRAWING NO: C-2013496
RESTRICTED TO: —

SCALE: 10:1
SHEET: 2 OF 2
REV: E