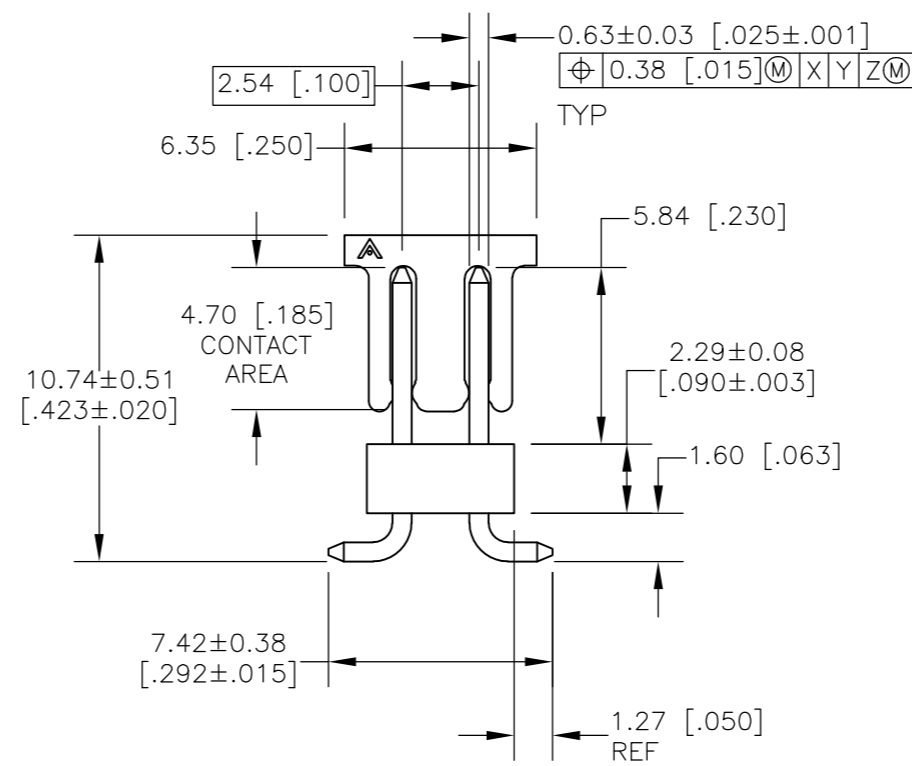
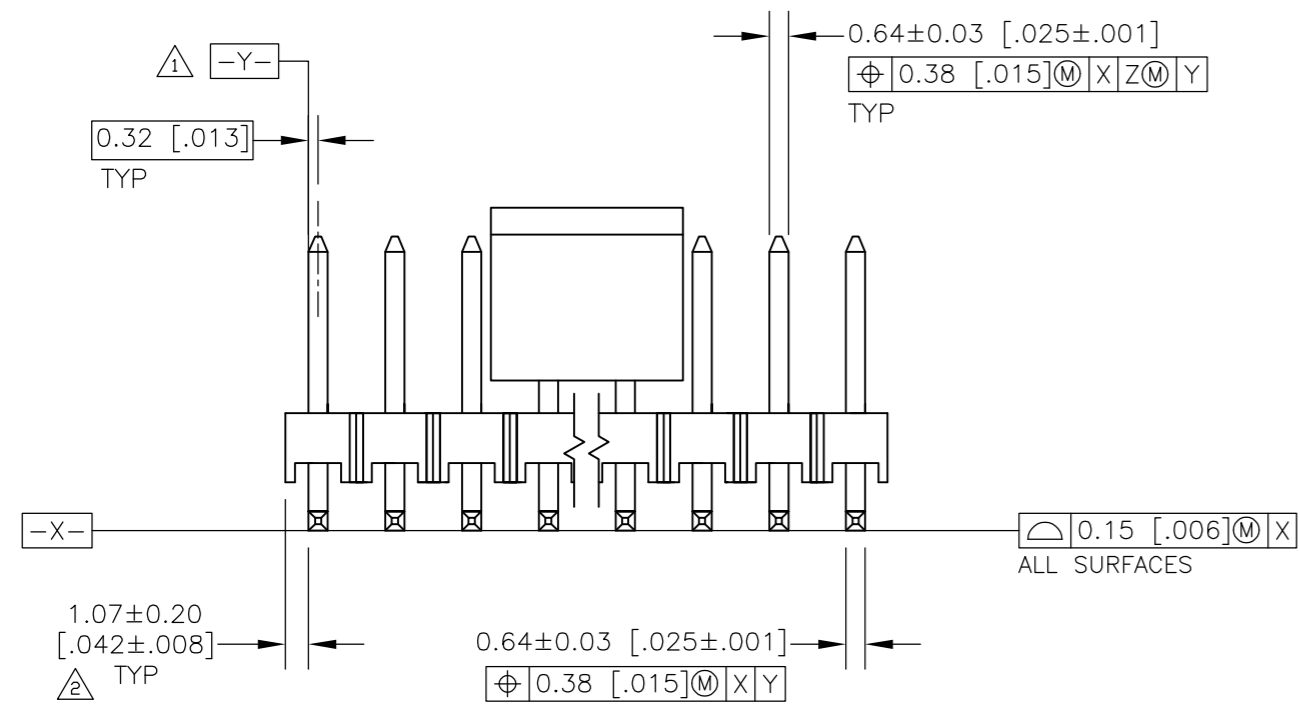
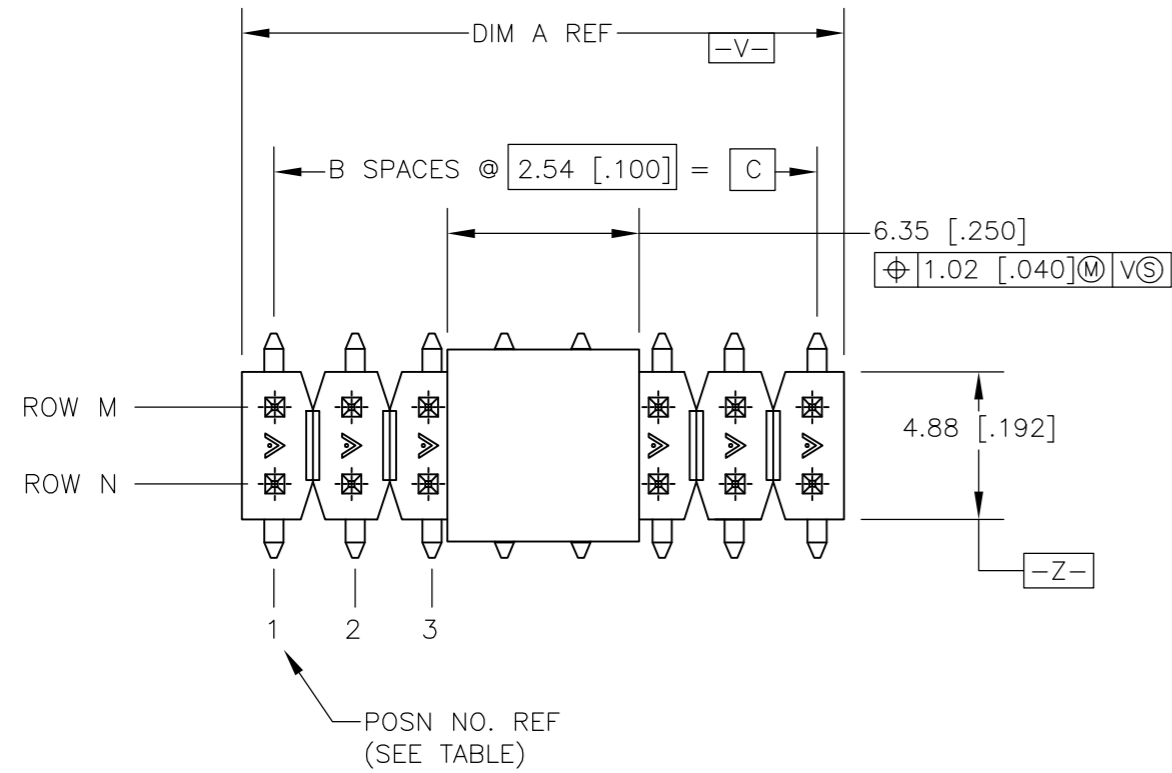
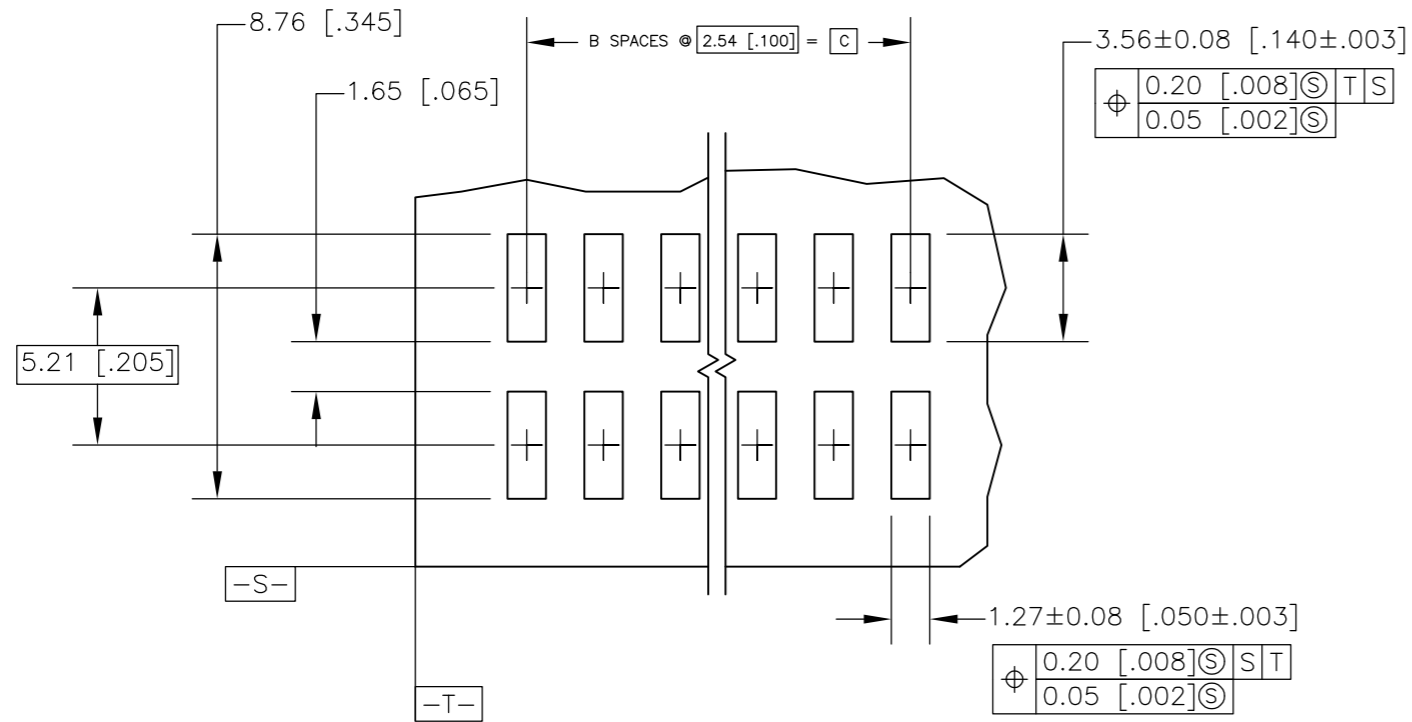


THIS DRAWING IS UNPUBLISHED. RELEASED FOR PUBLICATION
 © COPYRIGHT - By - ALL RIGHTS RESERVED.

LOC		DIST		REVISIONS			
P	LTR	DESCRIPTION		DATE	DWN	APVD	
AD	00	D3	REVISED PER ECO-11-004917		11MAR11	RK	HMR



- 1 -Y- SHALL BE THE INTERSECTION OF THE POST AND THE HOUSING.
- 2 THE NOTED DIMENSION APPLIES FROM THE BASIC DIMENSION (NOT THE POST CENTERLINE) TO THE SURFACE INDICATED.
- 3 0.000762[.000030] GOLD ON CONTACT AREA, 0.00254-0.00508[.000100-.000200] MATTE TIN-LEAD ON SOLDER TAIL, ALL OVER 0.00127[.000050] NICKEL.
- 4. PACKAGED IN TAPE AND REEL PER EIA-481 SPECIFICATIONS. SEE TABLE FOR TAPE WIDTH.
- 5 HOUSING: LCP, COLOR-BLACK.
POST: PHOS. BRONZE.
PICK AND PLACE CAP: PPA COLOR-BLACK.
- 6 PRELIMINARY PART - NOT RELEASED FOR PRODUCTION.
- 7 0.000762[.000030] GOLD ON CONTACT AREA, 0.00254-0.00508[.000100-.000200] MATTE TIN ON SOLDER TAIL, ALL OVER 0.00127[.000050] NICKEL.
- 8 OBSOLETE PARTS: OBSOLETE CIS STREAMLINING PER D.RENAUD/D.SINISI



RECOMMENDED PCB LAYOUT
 FOR USE WITH 0.20 [.008] THICK STENCIL

7	4	32mm	15.24 [.600]	6	17.37 [.684]	14	5-147711-6
NONE	4	24mm	12.70 [.500]	5	14.83 [.584]	12	5-147711-5
NONE	4	24mm	10.16 [.400]	4	12.29 [.484]	10	5-147711-4
NONE	1	24mm	10.16 [.400]	4	12.29 [.484]	10	5-147711-3
NONE	3	24mm	10.16 [.400]	4	12.29 [.484]	10	5-147711-2
7	4	32mm	15.24 [.600]	6	17.37 [.684]	14	147711-6
NONE	4	24mm	12.70 [.500]	5	14.83 [.584]	12	147711-5
NONE	4	24mm	10.16 [.400]	4	12.29 [.484]	10	147711-4
NONE	1	24mm	10.16 [.400]	4	12.29 [.484]	10	147711-3
NONE	3	24mm	10.16 [.400]	4	12.29 [.484]	10	147711-2
3	NONE	24mm	10.16 [.400]	4	12.29 [.484]	10	147711-1

THIS DRAWING IS A CONTROLLED DOCUMENT.

DIMENSIONS: INCHES	TOLERANCES UNLESS OTHERWISE SPECIFIED:	DWN B. HAYMAKER 18DEC00	14JUN99
0 PLC ± -	1 PLC ± -	CHK J. GESFORD 18DEC00	TE Connectivity
2 PLC ± -	3 PLC ± 0.13 [.005]	APVD J. GESFORD 18DEC00	NAME
4 PLC ± -	ANGLES ± -	PRODUCT SPEC	SURF. MT. HDR. ASSY, MOD II, B/W, VERT, D/R, .100 x .100 C/L, .025 SQ POST, W/ PICK AND PLACE CAP, SELECT LOAD
MATERIAL	FINISH	APPLICATION SPEC	SIZE CAGE CODE DRAWING NO RESTRICTED TO
SEE TABLE	SEE TABLE	WEIGHT	A2 00779 C=147711
		CUSTOMER DRAWING	SCALE 4:1 SHEET 1 OF 1 REV D3