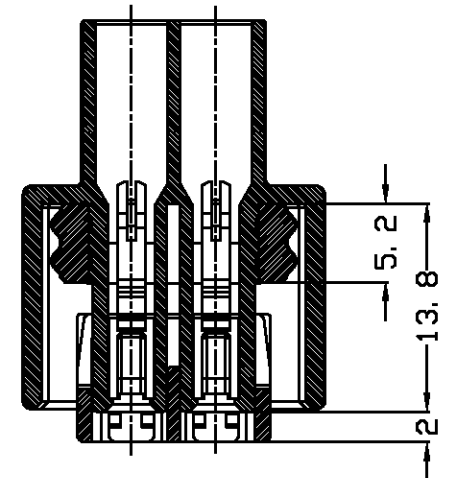
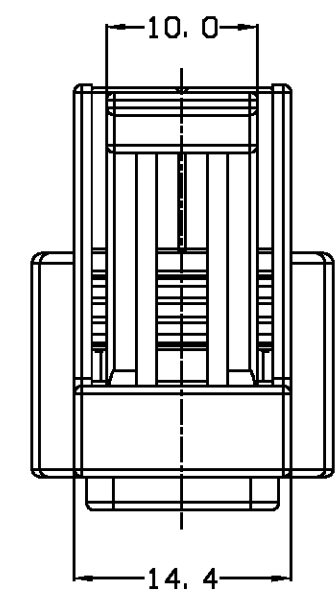
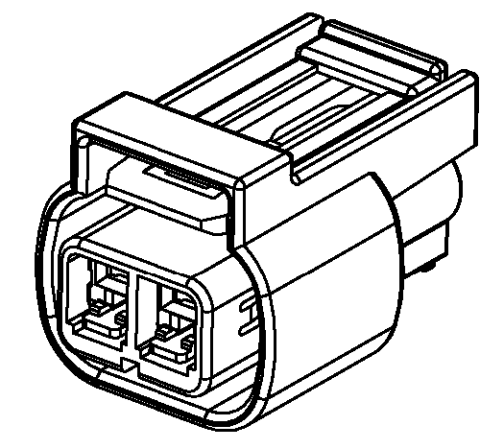
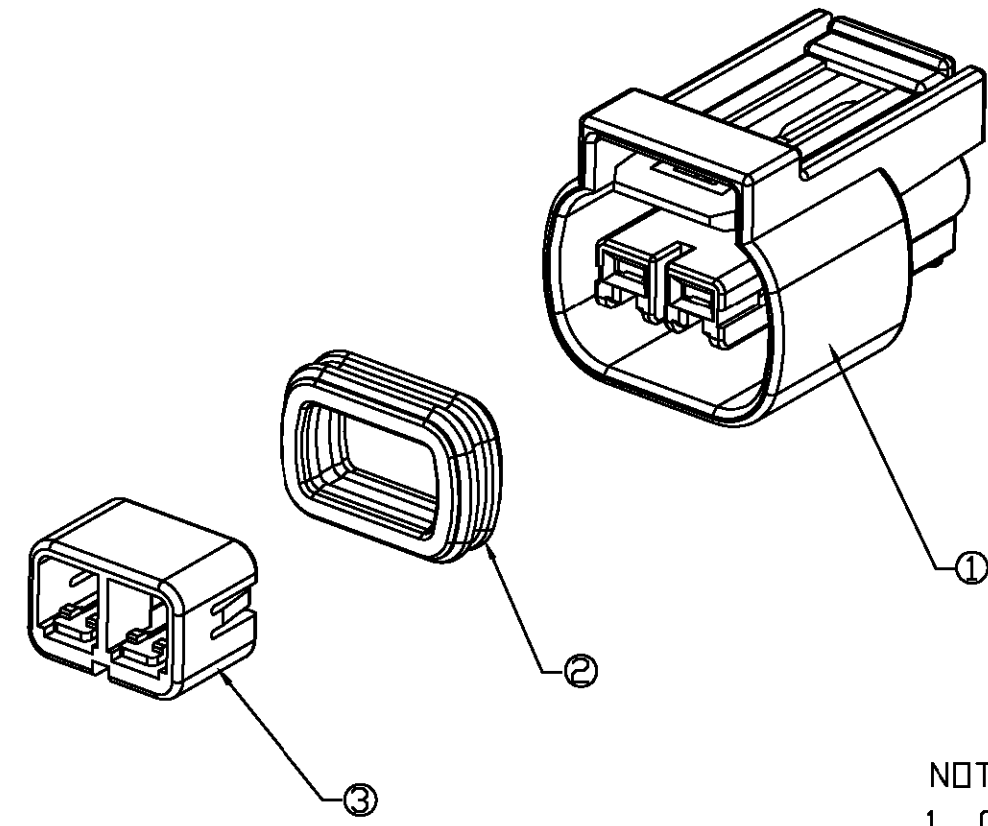


THIS DRAWING IS UNPUBLISHED. RELEASED FOR PUBLICATION
 © COPYRIGHT BY TYCO ELECTRONICS CORPORATION, ALL RIGHTS RESERVED.

LOC		DIST		REVISIONS				
P	LTR	DESCRIPTION			DATE	DWN	APVD	
□		RELEASED(FC00-0089-02)			14/JUN/02	HS	CS	
A		REVISED(FC00-0272-04)			27/OCT/04	YD.	CS	



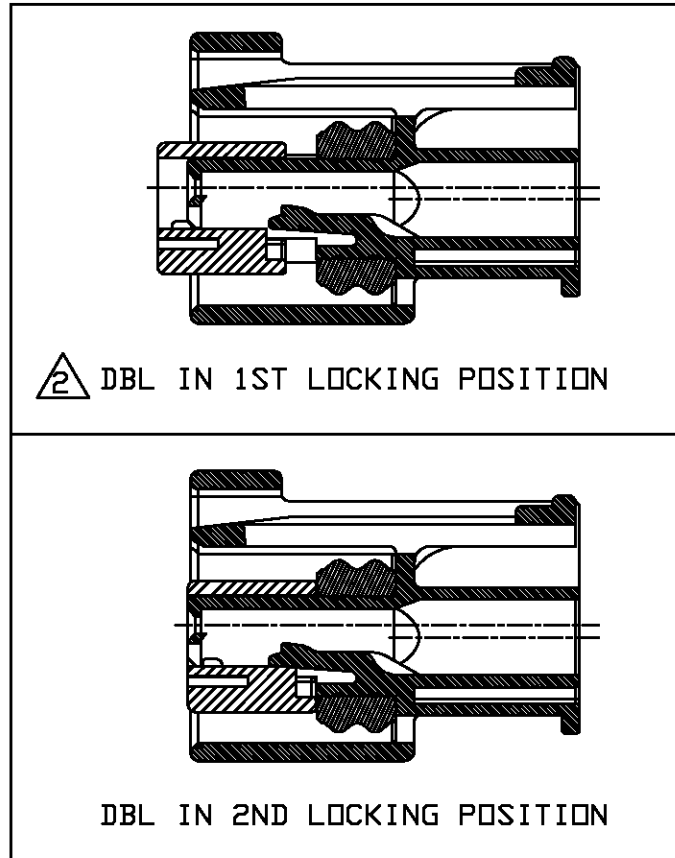
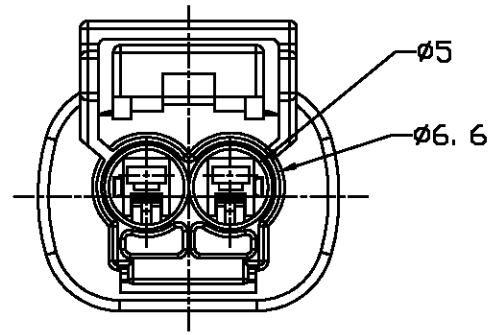
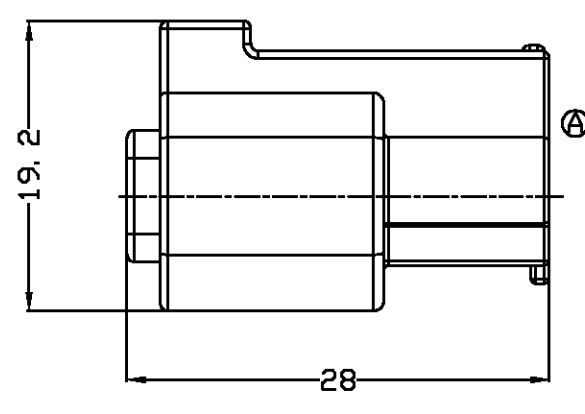
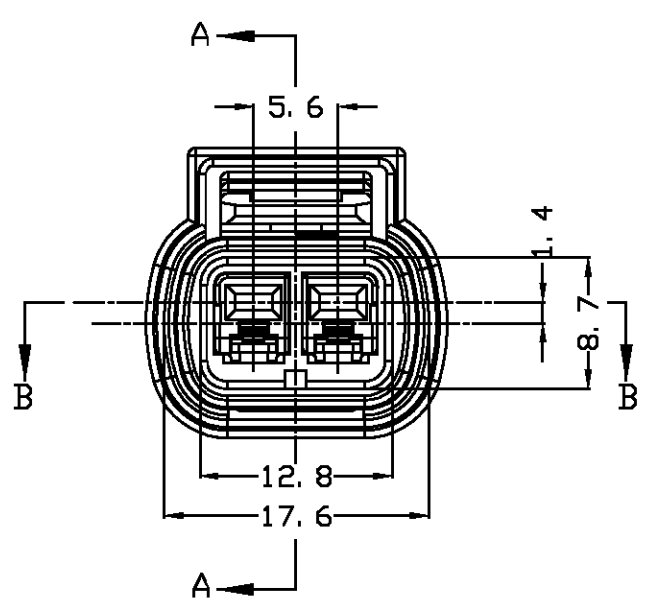
SECTION B-B
(SCALE 2/1)



3D VIEW
(SCALE 2/1)

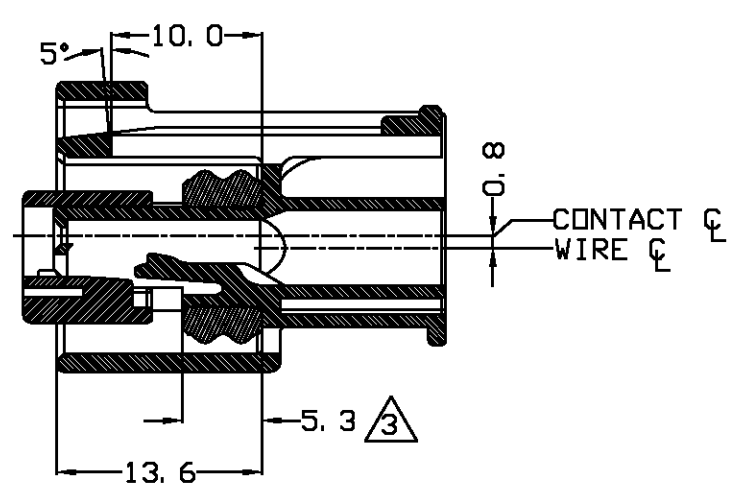
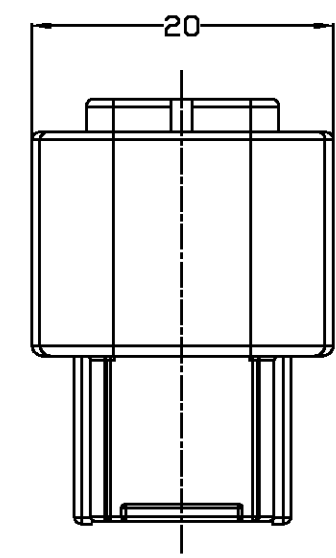
NOTE:

- 0.3 MAX. WARPAGE AND 0.2 MAX. FLASH ARE PERMISSIBLE
- CONDITION OF DELIVERY : DBL IN 1ST LOCKING POSITION
- SURFACE DEFECTS ARE NOT ACCEPTABLE AS FOLLOW: SINK, WELD LINES, HAIRCRACKS, STAINS & SCORES
- APPLIED CAP ASSEMBLY P/N: 936178, 936180, 936263



DBL IN 1ST LOCKING POSITION

DBL IN 2ND LOCKING POSITION



SECTION A-A
(SCALE 2/1)

NO.	DESCRIPTION	P/N	MATERIAL	COLOR	Q'TY
3	DBL HOUSING	936186-1	PBT GF10	BLACK	1 1 1 1
2	INNER SEAL	936818-1	SILICON	RED ORANGE	1 1 1 1
1	PLUG HOUSING	936185-4	PBT	BROWN(RAL 8003)	1 1 1 1
1	PLUG HOUSING	936185-3	PBT	GRAY(RAL 7036)	1
1	PLUG HOUSING	936185-2	PBT	BLACK(RAL 9011)	1
1	PLUG HOUSING	936185-1	PBT	IVORY(RAL 1015)	1

DIMENSIONS: MM		TOLERANCES UNLESS OTHERWISE SPECIFIED:	
3rd ANGLE PROJECTION		0 <XX<10 ± 0.2	
MATERIAL		10<XX<30 ± 0.25	
SEE TABLE		30<XX ± 0.3	
		ANGLES ± 3°	
		FINISH	
		WEIGHT	

tyco Electronics AMP KOREA, kyungsan, korea

NAME: .090 2P SEALED PLUG ASS'Y FOR BULB HOLDER CAP ASS'Y

SIZE: A200779 CAGE CODE: 936184 DRAWING NO: 936184

SCALE: 2/1 SHEET: 1 OF 1 REV: A