



MICROCHIP

dsPIC33FJ128MC804

dsPIC33FJ128MC804 PIM Information Sheet

The dsPIC33FJ128MC804 Plug-In Module (PIM) is designed to demonstrate the capabilities of the dsPIC33FJ128MC804 family of motor control devices using the Explorer 16 Development Board and the PICTail™ Plus daughter boards.

The dsPIC33FJ128MC804 is a high-performance 16-bit digital signal controller within a small 44-pin QFN package.

The dsPIC33FJ128MC804 is equipped with Peripheral Pin Select (PPS), which allows many of the digital peripherals to be remapped to use any number of pins on the device.

The PIM takes advantage of PPS by using zero ohm resistors to connect the I/O to the 100-pin Explorer 16 Development Board. Simply removing the zero ohm resistors and using the test points associated with each I/O pin (i.e., Pin1, Pin2, etc.), allows the designer to reroute the pin to any of the available pins on the Explorer 16 Development Board. This capability enables easier and faster design times.

Table 1 shows the mapping between the Explorer 16 functions and the device pins.

TABLE 1: 44-PIN TO 100-PIN PINOUT

| Device Pin Number | dsPIC33FJ128MC804 | PIM Pin Number | Functional Description |
|-------------------|-----------------------------------|----------------|--------------------------|
| 1 | SDA1/RP9/CN21/RB9 | 19 | Fault Reset |
| 2 | PWM2H1/RP22/CN18/RC6 | 77 | Data 2 |
| 3 | INT0/RP23/CN23/RB7 | 78 | Data 3 |
| 4 | TCK/PWM2H1/SCL1/RP24/CN22/RB8 | 68, 20 | Hall Sensor A/ QEB_POT |
| 5 | TDO/PWM2L1/SDA1/RP25/CN21/RB9 | 69, 21 | Hall Sensor B/ QEA |
| 6 | Vss | 65 | |
| 7 | VCAP/VDDCORE | 85 | |
| 8 | TDI/PWM1H3/RP10/CN16/RB10 | 3 | PWM1H3 |
| 9 | TMS/PWM1L3/RP11/CN15/RB11 | 100 | PWM1L3 |
| 10 | PWM1H2/RP12/CN14/RB12 | 99 | PWM1H2 |
| 11 | PWM1L2/RP13/CN13/RB13 | 98 | PWM1L2 |
| 12 | TMS/RA10 | | |
| 13 | TCK/RA7 | 71 | PWM Enable |
| 14 | PWM1H1/RP14/CN12/RB14 | 94 | PWM1H1 |
| 15 | PWM1L1/RP15/CN11/RB15 | 93 | PWM1L1 |
| 16 | AVss | 31 | |
| 17 | AVDD | 30 | |
| 18 | MCLR | 13 | |
| 19 | AN0/VREF+/CN2/RA0 | 25 | Phase 1 Current Feedback |
| 20 | AN1/VREF-/CN3/RA1 | 24 | Phase 2 Current Feedback |
| 21 | PGED1/EMUD1/AN2/C2IN-/RP0/CN4/RB0 | 35 | DC Bus |
| 22 | PGEC1/AN3/C2IN+/RP1/CN5/RB1 | 41 | Phase 1 Voltage Feedback |

| Device Pin Number | dsPIC33FJ128MC804 | PIM Pin Number | Functional Description |
|-------------------|--------------------------------|----------------|--------------------------|
| 23 | AN4/RP2/CN6/RB2 | 42 | Phase 2 Voltage Feedback |
| 24 | AN5/RP3/CN7/RB3 | 43 | Phase 3 Voltage Feedback |
| 25 | AN6/RP16/CN8/RC0 | | |
| 26 | AN7/RP17/CN9/RC1 | 20 | QEB_POT |
| 27 | AN8/RP18/CN10/RC2 | 32 | Bus Shunt |
| 28 | VDD | 16 | |
| 29 | Vss | 15 | |
| 30 | OSCI/CLKI/CN30/RA2 | 63 | OSC1 |
| 31 | OSCO/CLKO/CN29/RA3 | 64 | OSC2 |
| 32 | TDO/RA8 | 83 | Switch 1 |
| 33 | SOSCI/RP4/CN1/RB4 | 84 | Switch 2 |
| 34 | SOSCO/T1CK/CN0/RA4 | 81 | Enable |
| 35 | TDI/RA9 | 82 | RD/WR |
| 36 | RP19/CN28/RC3 | 44 | RS |
| 37 | RP20/CN25/RC4 | 72 | Data 0 |
| 38 | RP21/CN26/RC5 | 76 | Data 1 |
| 39 | Vss | 36 | |
| 40 | VDD | 37 | |
| 41 | PGED3/EMUD3/ASDA1/RP5/CN27/RB5 | 27 | Debug |
| 42 | PGEC3/EMUC3/ASCL1/RP6/CN24/RB6 | 26 | Debug |
| 43 | INT0/RP7/CN23/RB7 | 22, 70 | Index / Hall Sensor C |
| 44 | SCL1/RP8/CN22/RB8 | 18 | Fault A |

dsPIC33FJ128MC804

FIGURE 1: 100-PIN HEADER SCHEMATIC

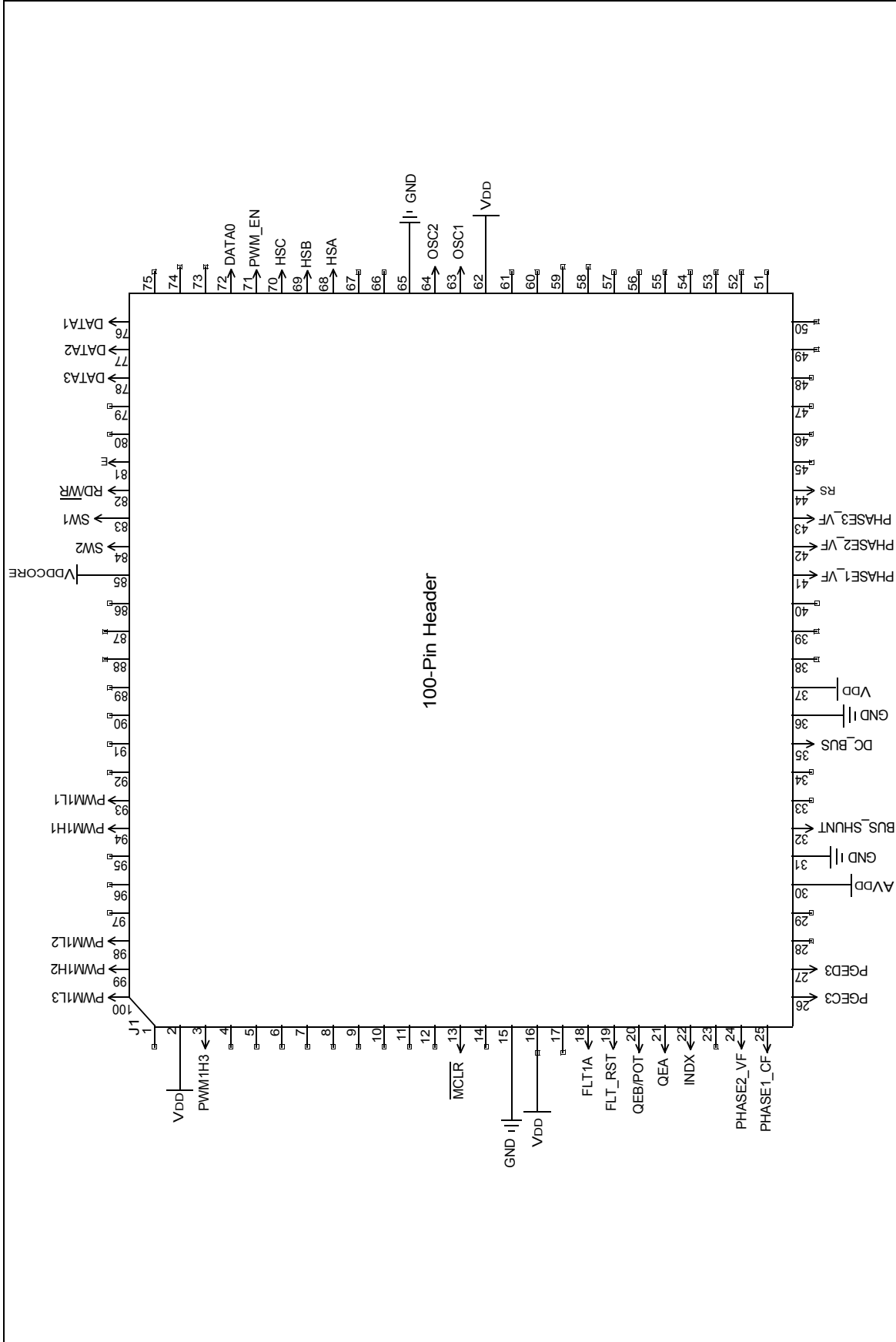
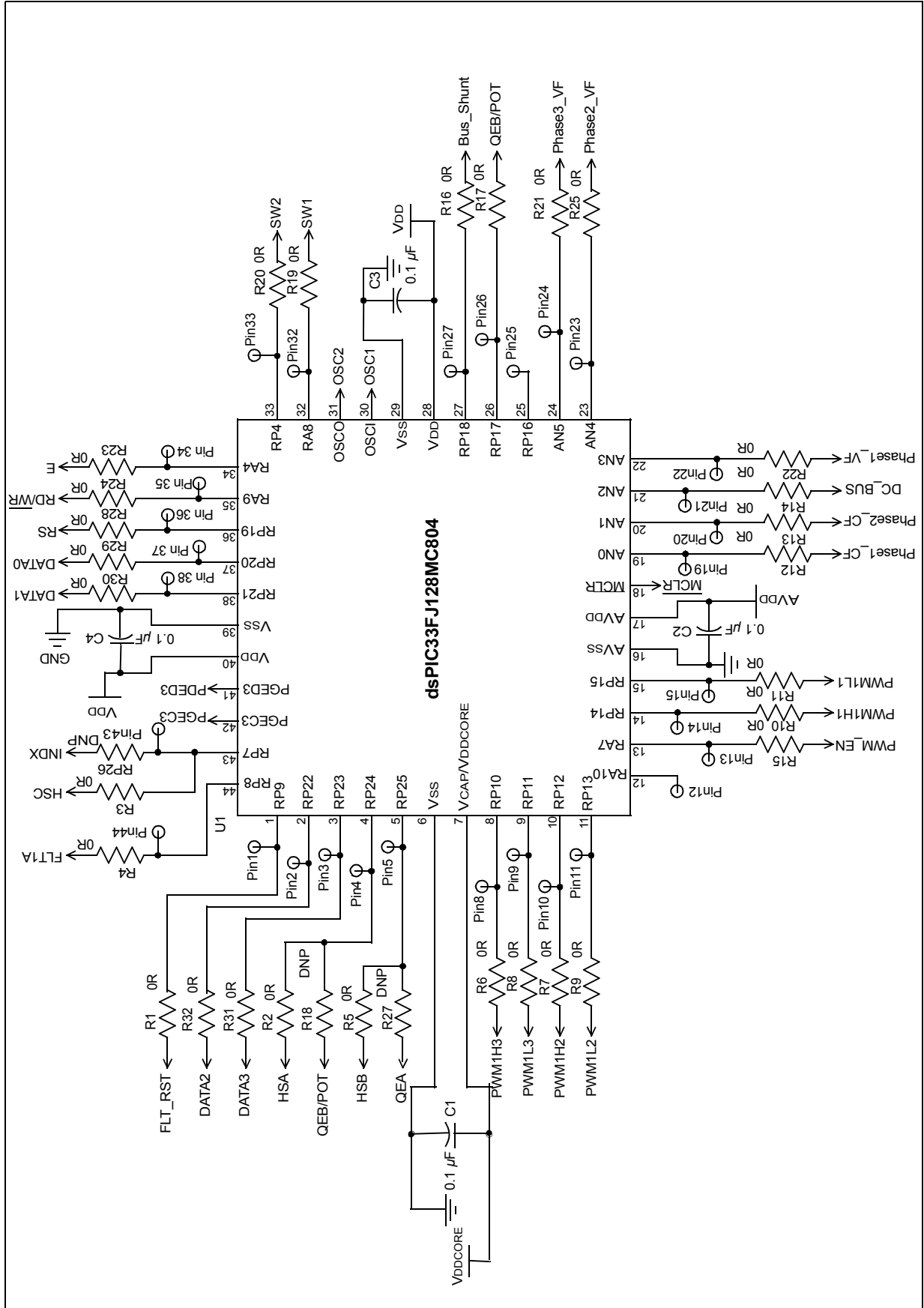


FIGURE 2: 44-PIN DEVICE SCHEMATIC



dsPIC33FJ128MC804

NOTES:

Note the following details of the code protection feature on Microchip devices:

- Microchip products meet the specification contained in their particular Microchip Data Sheet.
- Microchip believes that its family of products is one of the most secure families of its kind on the market today, when used in the intended manner and under normal conditions.
- There are dishonest and possibly illegal methods used to breach the code protection feature. All of these methods, to our knowledge, require using the Microchip products in a manner outside the operating specifications contained in Microchip's Data Sheets. Most likely, the person doing so is engaged in theft of intellectual property.
- Microchip is willing to work with the customer who is concerned about the integrity of their code.
- Neither Microchip nor any other semiconductor manufacturer can guarantee the security of their code. Code protection does not mean that we are guaranteeing the product as "unbreakable."

Code protection is constantly evolving. We at Microchip are committed to continuously improving the code protection features of our products. Attempts to break Microchip's code protection feature may be a violation of the Digital Millennium Copyright Act. If such acts allow unauthorized access to your software or other copyrighted work, you may have a right to sue for relief under that Act.

Information contained in this publication regarding device applications and the like is provided only for your convenience and may be superseded by updates. It is your responsibility to ensure that your application meets with your specifications. MICROCHIP MAKES NO REPRESENTATIONS OR WARRANTIES OF ANY KIND WHETHER EXPRESS OR IMPLIED, WRITTEN OR ORAL, STATUTORY OR OTHERWISE, RELATED TO THE INFORMATION, INCLUDING BUT NOT LIMITED TO ITS CONDITION, QUALITY, PERFORMANCE, MERCHANTABILITY OR FITNESS FOR PURPOSE. Microchip disclaims all liability arising from this information and its use. Use of Microchip devices in life support and/or safety applications is entirely at the buyer's risk, and the buyer agrees to defend, indemnify and hold harmless Microchip from any and all damages, claims, suits, or expenses resulting from such use. No licenses are conveyed, implicitly or otherwise, under any Microchip intellectual property rights.

Trademarks

The Microchip name and logo, the Microchip logo, Accuron, dsPIC, KEELOQ, KEELOQ logo, MPLAB, PIC, PICmicro, PICSTART, PRO MATE, rPIC and SmartShunt are registered trademarks of Microchip Technology Incorporated in the U.S.A. and other countries.

FilterLab, Linear Active Thermistor, MXDEV, MXLAB, SEEVAL, SmartSensor and The Embedded Control Solutions Company are registered trademarks of Microchip Technology Incorporated in the U.S.A.

Analog-for-the-Digital Age, Application Maestro, CodeGuard, dsPICDEM, dsPICDEM.net, dsPICworks, dsSPEAK, ECAN, ECONOMONITOR, FanSense, In-Circuit Serial Programming, ICSP, ICEPIC, Mindi, MiWi, MPASM, MPLAB Certified logo, MPLIB, MPLINK, mTouch, PICkit, PICDEM, PICDEM.net, PICtail, PIC³² logo, PowerCal, PowerInfo, PowerMate, PowerTool, REAL ICE, rLAB, Select Mode, Total Endurance, UNI/O, WiperLock and ZENA are trademarks of Microchip Technology Incorporated in the U.S.A. and other countries.

SQTP is a service mark of Microchip Technology Incorporated in the U.S.A.

All other trademarks mentioned herein are property of their respective companies.

© 2008, Microchip Technology Incorporated, Printed in the U.S.A., All Rights Reserved.

 Printed on recycled paper.

**QUALITY MANAGEMENT SYSTEM
CERTIFIED BY DNV
== ISO/TS 16949:2002 ==**

Microchip received ISO/TS-16949:2002 certification for its worldwide headquarters, design and wafer fabrication facilities in Chandler and Tempe, Arizona; Gresham, Oregon and design centers in California and India. The Company's quality system processes and procedures are for its PIC® MCUs and dsPIC® DSCs, KEELOQ® code hopping devices, Serial EEPROMs, microperipherals, nonvolatile memory and analog products. In addition, Microchip's quality system for the design and manufacture of development systems is ISO 9001:2000 certified.



WORLDWIDE SALES AND SERVICE

AMERICAS

Corporate Office
2355 West Chandler Blvd.
Chandler, AZ 85224-6199
Tel: 480-792-7200
Fax: 480-792-7277
Technical Support:
<http://support.microchip.com>
Web Address:
www.microchip.com

Atlanta

Duluth, GA
Tel: 678-957-9614
Fax: 678-957-1455

Boston

Westborough, MA
Tel: 774-760-0087
Fax: 774-760-0088

Chicago

Itasca, IL
Tel: 630-285-0071
Fax: 630-285-0075

Dallas

Addison, TX
Tel: 972-818-7423
Fax: 972-818-2924

Detroit

Farmington Hills, MI
Tel: 248-538-2250
Fax: 248-538-2260

Kokomo

Kokomo, IN
Tel: 765-864-8360
Fax: 765-864-8387

Los Angeles

Mission Viejo, CA
Tel: 949-462-9523
Fax: 949-462-9608

Santa Clara

Santa Clara, CA
Tel: 408-961-6444
Fax: 408-961-6445

Toronto

Mississauga, Ontario,
Canada
Tel: 905-673-0699
Fax: 905-673-6509

ASIA/PACIFIC

Asia Pacific Office
Suites 3707-14, 37th Floor
Tower 6, The Gateway
Harbour City, Kowloon
Hong Kong
Tel: 852-2401-1200
Fax: 852-2401-3431

Australia - Sydney
Tel: 61-2-9868-6733
Fax: 61-2-9868-6755

China - Beijing
Tel: 86-10-8528-2100
Fax: 86-10-8528-2104

China - Chengdu
Tel: 86-28-8665-5511
Fax: 86-28-8665-7889

China - Hong Kong SAR
Tel: 852-2401-1200
Fax: 852-2401-3431

China - Nanjing
Tel: 86-25-8473-2460
Fax: 86-25-8473-2470

China - Qingdao
Tel: 86-532-8502-7355
Fax: 86-532-8502-7205

China - Shanghai
Tel: 86-21-5407-5533
Fax: 86-21-5407-5066

China - Shenyang
Tel: 86-24-2334-2829
Fax: 86-24-2334-2393

China - Shenzhen
Tel: 86-755-8203-2660
Fax: 86-755-8203-1760

China - Wuhan
Tel: 86-27-5980-5300
Fax: 86-27-5980-5118

China - Xiamen
Tel: 86-592-2388138
Fax: 86-592-2388130

China - Xian
Tel: 86-29-8833-7252
Fax: 86-29-8833-7256

China - Zhuhai
Tel: 86-756-3210040
Fax: 86-756-3210049

ASIA/PACIFIC

India - Bangalore
Tel: 91-80-4182-8400
Fax: 91-80-4182-8422

India - New Delhi
Tel: 91-11-4160-8631
Fax: 91-11-4160-8632

India - Pune
Tel: 91-20-2566-1512
Fax: 91-20-2566-1513

Japan - Yokohama
Tel: 81-45-471- 6166
Fax: 81-45-471-6122

Korea - Daegu
Tel: 82-53-744-4301
Fax: 82-53-744-4302

Korea - Seoul
Tel: 82-2-554-7200
Fax: 82-2-558-5932 or
82-2-558-5934

Malaysia - Kuala Lumpur
Tel: 60-3-6201-9857
Fax: 60-3-6201-9859

Malaysia - Penang
Tel: 60-4-227-8870
Fax: 60-4-227-4068

Philippines - Manila
Tel: 63-2-634-9065
Fax: 63-2-634-9069

Singapore
Tel: 65-6334-8870
Fax: 65-6334-8850

Taiwan - Hsin Chu
Tel: 886-3-572-9526
Fax: 886-3-572-6459

Taiwan - Kaohsiung
Tel: 886-7-536-4818
Fax: 886-7-536-4803

Taiwan - Taipei
Tel: 886-2-2500-6610
Fax: 886-2-2508-0102

Thailand - Bangkok
Tel: 66-2-694-1351
Fax: 66-2-694-1350

EUROPE

Austria - Wels
Tel: 43-7242-2244-39
Fax: 43-7242-2244-393

Denmark - Copenhagen
Tel: 45-4450-2828
Fax: 45-4485-2829

France - Paris
Tel: 33-1-69-53-63-20
Fax: 33-1-69-30-90-79

Germany - Munich
Tel: 49-89-627-144-0
Fax: 49-89-627-144-44

Italy - Milan
Tel: 39-0331-742611
Fax: 39-0331-466781

Netherlands - Drunen
Tel: 31-416-690399
Fax: 31-416-690340

Spain - Madrid
Tel: 34-91-708-08-90
Fax: 34-91-708-08-91

UK - Wokingham
Tel: 44-118-921-5869
Fax: 44-118-921-5820