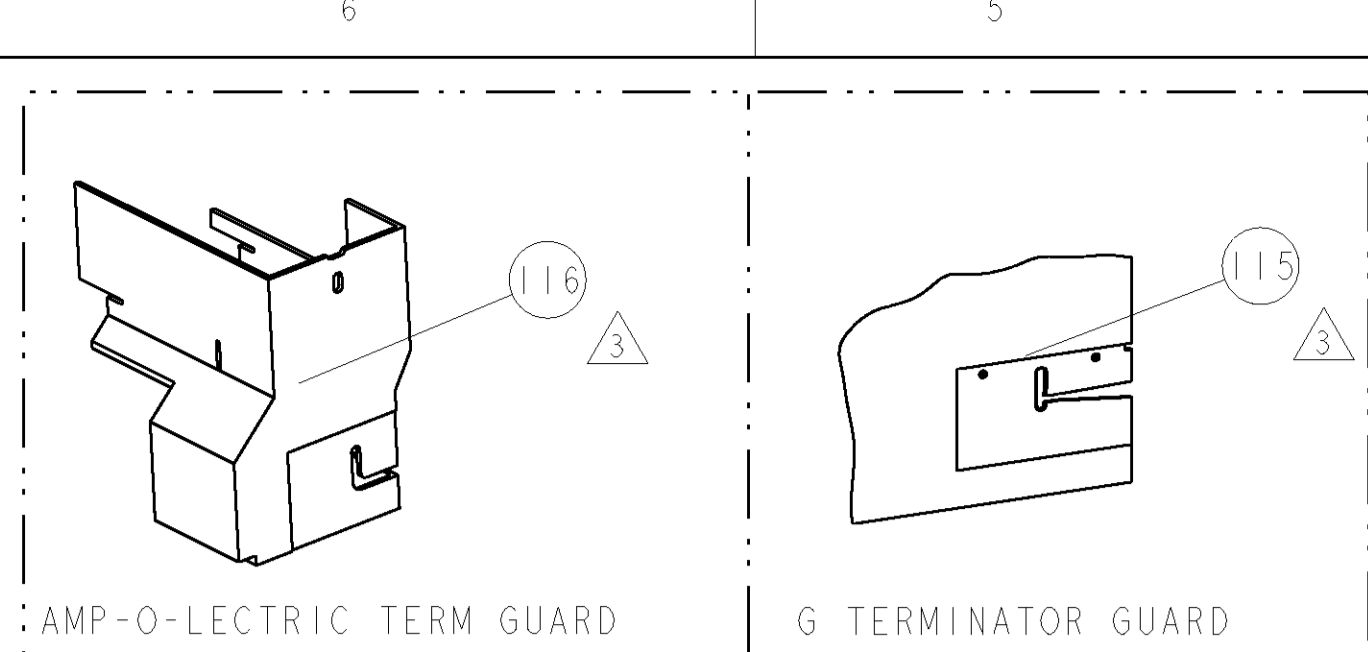


PART NUMBER	REV	FIRST USED	POWER UNIT	FEED TYPE	DESCRIPTION
1855271-1	B	122500-1	LEADMAKER	POST FEED	CUTS CARRIER
1855271-2	B	565435-5	BENCH MODEL K	PRE FEED	CUTS CARRIER
1855271-3	B	354500-1	BENCH MODEL G	PRE FEED	CUTS CARRIER
1855271-6	B	122500-1	LEADMAKER	POST FEED	CONTINUOUS CARRIER
7-1855271-7	A	-	-	-	SPARE PARTS

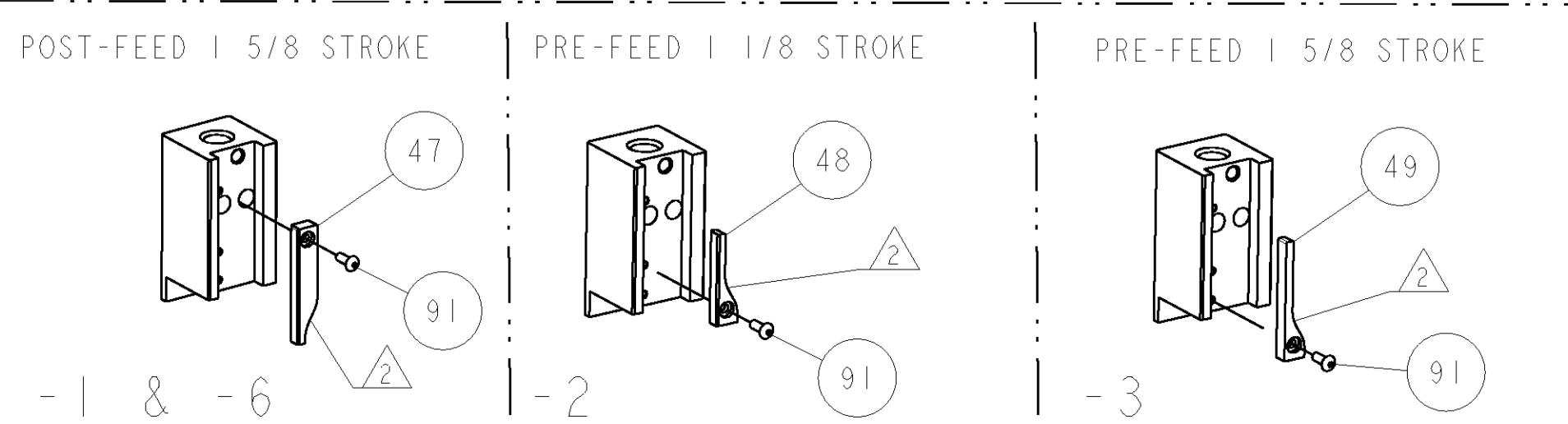
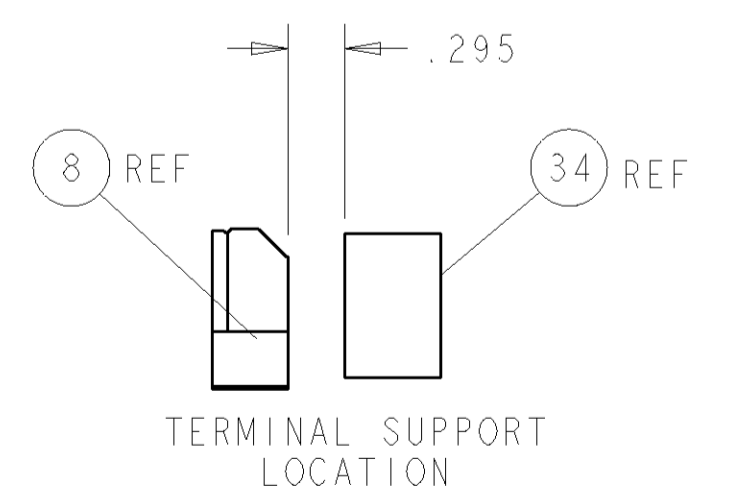
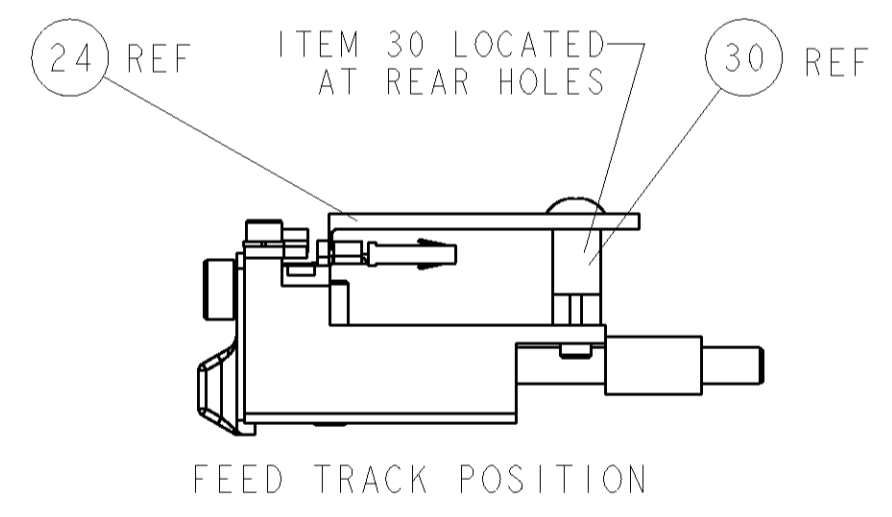
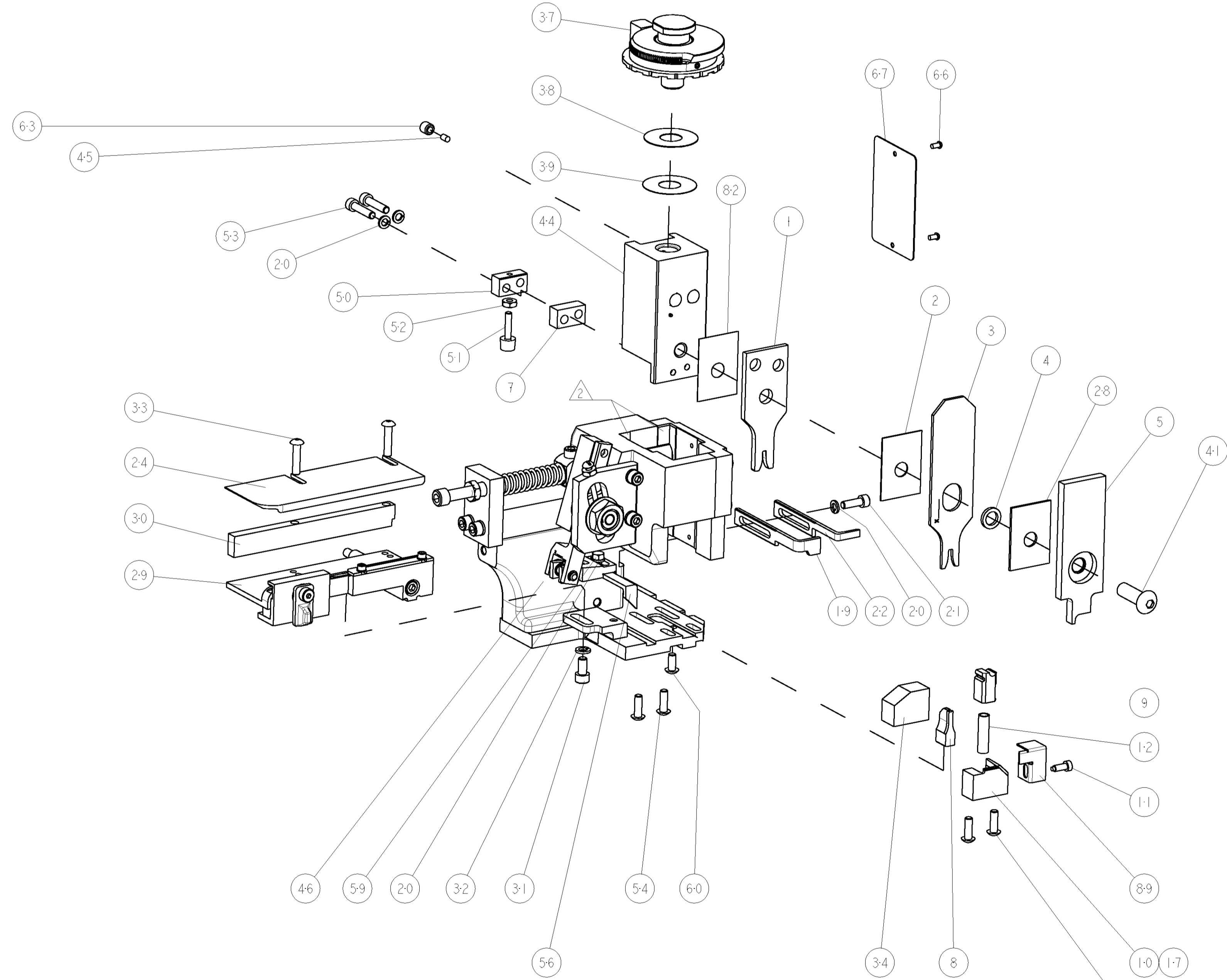


TERMINAL NAME: MULTIWAY, SNAP TOGETHER, CONTACT			
TE PN	ITT CANNON PN	ITT CANNON TERMINAL - AMP CRIMP SPECS	
1949366-1	192900-0001		
1949366-2	192900-0003	CRIMP HEIGHT	WIRE SIZE
1949559	192900-0408	.056±.002 [1.42±0.05mm]	16AWG
-	-	.049±.002 [1.24±0.05mm]	18AWG
-	-	.044±.002 [1.12±0.05mm]	20AWG
-	-	-	-
-	-	CRIMP	SIZE TYPE RANGE
-	-	WIRE	.082 [2.08mm] F 16-20 AWG
-	-	INSUL	.110 [2.79mm] F Ø.078-.118
WIRE STRIP LENGTH	TERM APPL SPEC	FEED	APPLICATOR INSTRUCTIONS
.146-.164	NONE	.350	408-8040
			SET UP GAGE 458637-1

LOC	DIST	REVISIONS				
A	66	P LTR	DESCRIPTION	DATE	DWN	APVD
		A	RELEASED	15MAY2007	LG	TE
		A1	ECR-09-001931	27JAN2009	MY	GB
		B	ECR-09-005847	12MAR2009	MY	TE

- △ RECOMMENDED SPARE PARTS
- △ GREASE LIGHTLY
- △ GUARD MUST BE IN PLACE WHEN OPERATING APPLICATOR IN A BENCH MACHINE

*** WARNING**
ON INSTALLATION, SET WIRE DISC TO LARGEST WIRE SIZE SETTING. USE OF SETTINGS BELOW MIN. REQUIRED CRIMP HEIGHT SETTING WILL CAUSE DAMAGE TO CRIMP TOOLING.



△	-	-	-	REF	-	..	455749-1	GUARD WINDOW	116
△	-	-	-	REF	-	..	679532-1	INSERT, GUARD	115
-	-	-	-	-	-	-	1-21002-7	SCR, BTN SKT HD CAP 6-32 X .375	91
-	-	-	-	-	-	-	318563-1	GUARD, FRONT CHIP	89
-	-	-	-	-	-	-	455888-1	SPACER, CRIMPER	82
-	-	-	-	-	-	-	4088040	SF APPL INST 408-8040	72
-	-	-	-	-	-	-	217238-1	GENERAL INSTRUCTION PKG	71
-	-	-	-	-	-	-	461264-5	PLATE, IDENTIFICATION	67
-	-	-	-	-	-	-	21017-2	SCREW, DRIVE	66
-	-	-	-	-	-	-	21009-2	SCR, SET, SELF LOCKING 1/4-20 X .250	63
-	-	-	-	-	-	-	22733-8	SCR, BHSC, SELF-LOCKING, 8-32 X .375	60
-	-	-	-	-	-	-	2-22603-0	SCR, HEX HD CAP 8-32 X .312	59
-	-	-	-	-	-	-	458537-2	PAWL, FEED	56
-	-	-	-	-	-	-	2-21002-2	SCR, BTN SKT HD CAP 8-32 X .500	54
-	-	-	-	-	-	-	2-21000-9	SCR, SKT HD CAP 8-32 X .750	53
-	-	-	-	-	-	-	21018-5	NUT, HEX, REG 6-32	52
-	-	-	-	-	-	-	811242-2	BUMPER, HOLD DOWN	51
-	-	-	-	-	-	-	690753-1	SPACER, TONKER	50
-	-	-	-	-	-	..	690602-6	CAM, PRE FEED, 1 5/8	49
-	-	-	-	-	-	..	690602-5	CAM, PRE FEED, 1 1/8	48
-	-	-	-	-	-	..	690501-4	CAM, POST-FEED 1 5/8	47
-	-	-	-	-	-	-	459456-1	APPL. BASIC SUB ASSY (SIDE WISE MQCA)	46
-	-	-	-	-	-	-	690191-1	PLUG, NYLON	45
-	-	-	-	-	-	-	455673-1	RAM, SIDE FEED	44
-	-	-	-	-	-	-	7-21002-9	SCR, BTN SKT HD CAP 5/16-24 X 1.00	41
-	-	-	-	-	-	-	690125-1	SHIM SUB-ASSY	39
-	-	-	-	-	-	-	1-469367-0	SHIM	38
-	-	-	-	-	-	-	879103-2	FINE ADJUST HEAD ASSEMBLY	37
-	-	-	-	-	-	-	690786-6	TERMINAL SUPPORT	34
-	-	-	-	-	-	-	2-21002-4	SCR, BTN SKT HD CAP 8-32 X .750	33
-	-	-	-	-	-	-	21024-5	WASHER, SPRG LOCK, REG NO 10	32
-	-	-	-	-	-	-	3-21000-4	SCR, SKT HD CAP 10-32 X .375	31
-	-	-	-	-	-	-	1320908-1	SPACER, STRIP GUIDE	30
-	-	-	-	-	-	-	1633091-1	ASSEMBLY, STRIP GUIDE	29
-	-	-	-	-	-	-	1-455888-0	SPACER, CRIMPER	28
-	-	-	-	-	-	-	1320928-3	PLATE, STRIP GUIDE	24
-	-	-	-	-	-	-	690472-2	STRIPPER	22
-	-	-	-	-	-	-	2-21000-7	SCR, SKT HD CAP 8-32 X .500	21
-	-	-	-	-	-	-	21024-4	WASHER, SPRG LOCK, REG NO 8	20
-	-	-	-	-	-	-	691353-1	STRIPPER	19
-	-	-	-	-	-	-	679625-1	SHEAR HOLDER, FRONT (NO CUT)	17
△	-	-	-	-	-	-	3-22280-3	SPRING, COMPRESSION	12
-	-	-	-	-	-	-	690461-1	STOP, SHEAR	11
-	-	-	-	-	-	-	690459-1	SHEAR HOLDER, FRONT	10
△	-	-	-	-	-	-	462006-1	FLOATING SHEAR, FRONT	9
△	-	-	-	-	-	-	1-1633535-9	ANVIL, COMBINATION	8
△	-	-	-	-	-	-	2-240641-7	SPACER	7
-	-	-	-	-	-	-	1-455889-4	DEPRESSOR, SHEAR	5
-	-	-	-	-	-	-	238011-6	BLOCK, CRIMPER SPACER	4
△	-	-	-	-	-	-	4-683453-3	CRIMPER, INSULATION PREMIUM	3
△	-	-	-	-	-	-	455888-5	SPACER, CRIMPER	2
△	-	-	-	-	-	-	1-1633305-3	CRIMPER, WIRE PREMIUM	1

DIMENSIONS:		TOLERANCES UNLESS OTHERWISE SPECIFIED:	
INCHES	9 PLC ±.01	1 PLC ±.01	3 PLC ±.0001
	4 PLC ±.0001	ANGLES ±.0001	
MATERIAL	FINISH	WEIGHT	CUSTOMER DRAWING

REV	DESCRIPTION	DATE	BY	CHKD
28APR2007	28APR2007	28APR2007	28APR2007	28APR2007
28APR2007	28APR2007	28APR2007	28APR2007	28APR2007

TYCO ELECTRONICS	TYCO ELECTRONICS	TYCO ELECTRONICS
Harrisburg, PA 17105-3608	Harrisburg, PA 17105-3608	Harrisburg, PA 17105-3608

SCALE	3:5	SHEET	1	OF	1	REV	B
-------	-----	-------	---	----	---	-----	---

CUSTOMER VIEWABLE ASSEMBLY