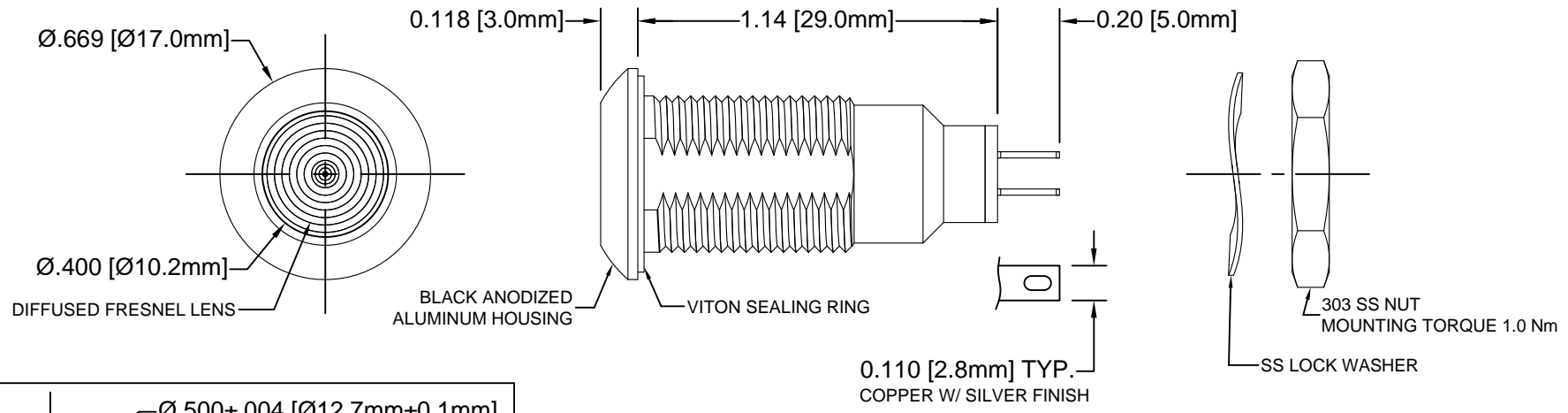
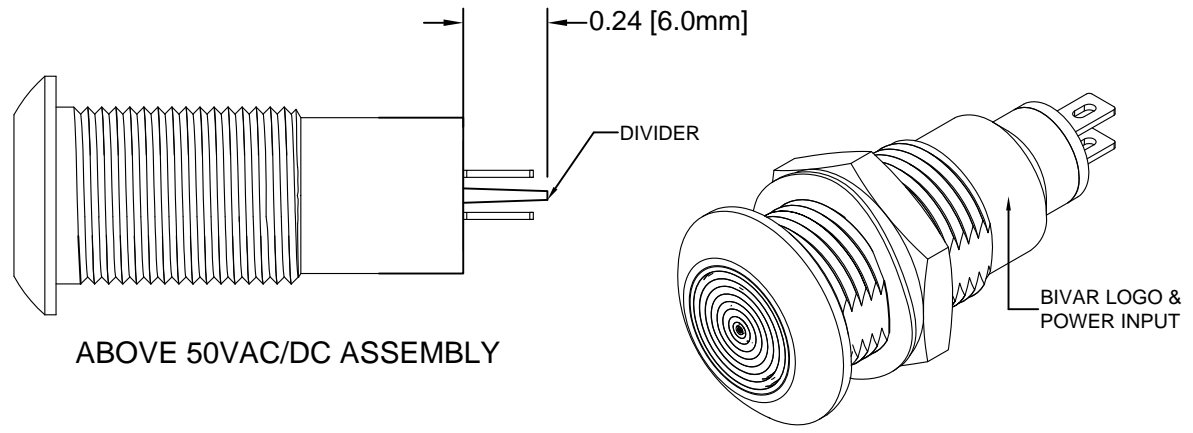


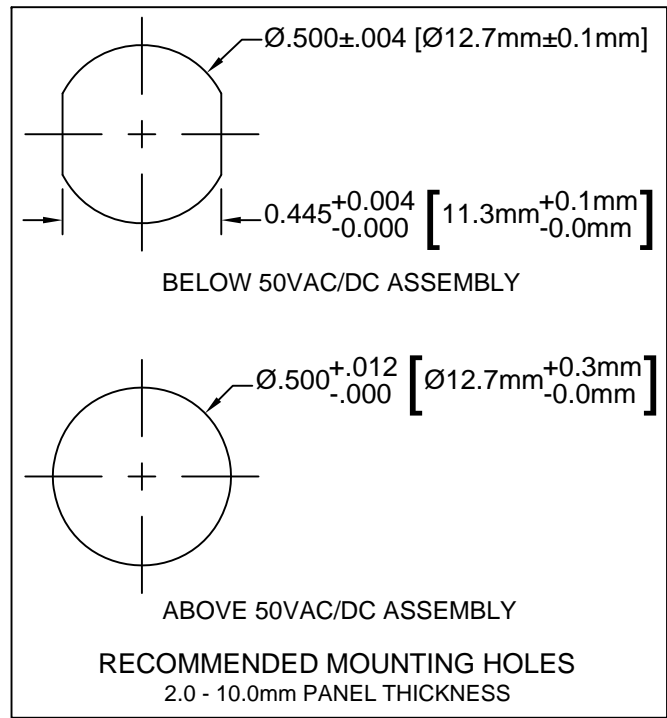
REV.	DESCRIPTION	DATE	APPROVED
B	Engineering Release	07/28/11	T. Y.
C	Engineering Update w/o Changes	08/11/16	J. C.



BELOW 50VAC/DC ASSEMBLY



ABOVE 50VAC/DC ASSEMBLY



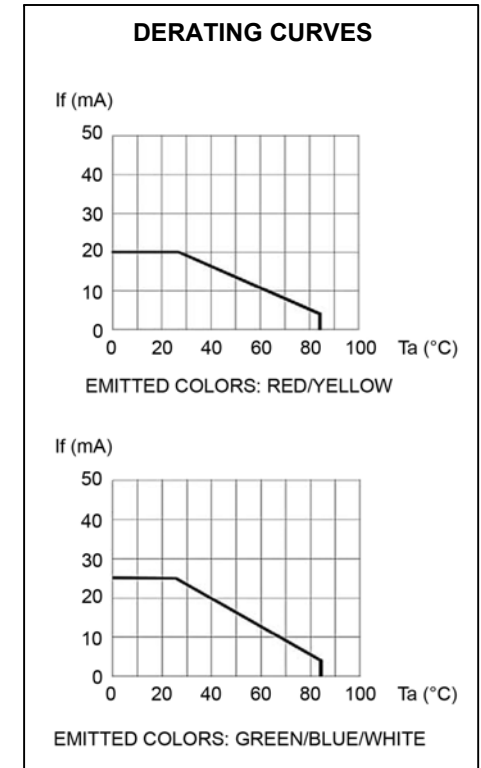
RECOMMENDED MOUNTING HOLES
2.0 - 10.0mm PANEL THICKNESS

- NOTES:
1. SEALED TO IP67 RATING
 2. WIDE RANGE INPUT VOLTAGE
 3. BI-POLAR OPERATION
 4. ROHS COMPLIANT
 5. MOUNTING HARDWARE SHIPPED NON-ASSEMBLED
 6. INSERT VITON RING ON PANEL MOUNT ASSEMBLY PRIOR TO PANEL INSTALLATION

STANDARD TOLERANCE (UNLESS OTHERWISE SPECIFIED)		 BIVAR [®] 4 THOMAS, IRVINE, CA. 92618 TEL: (949) 951-8808 FAX: (949) 951-3974	
DECIMALS	ANGULAR		
.X ±.1	X° ± 1°	 TITLE: WATER TIGHT PANEL MOUNT LED ASSEMBLY, 12.7MM MOUNTING	
.XX ±.02			
.XXX ±.010		PART NO: PM5-A17XXX REVISION: C	
DESIGNED: R. Paje	DATE: 02/23/11	CAGE CODE : 32559 SHEET # 1 OF 2	
CHECKED: T. Yin	DATE: 02/23/11	CAD GENERATED DOCUMENT. DO NOT MEASURE DRAWING.	

REV.	DESCRIPTION	DATE	APPROVED
	SEE SHEET #1		

Part Number	Peak Wave Length λ_p (nm)	Emitted Color	Lens Appearance	Electro-Optical Data @ 20mA		Viewing Angle
				Vf (VDC/VAC)	Iv (mcd)	
				TYP	TYP	
PM5-A17R28V	630	RED	RED DIFFUSED	12-28 VAC/VDC	600	120
PM5-A17Y28V	585	YELLOW	YELLOW DIFFUSED	12-28 VAC/VDC	600	120
PM5-A17G28V	515	GREEN	GREEN DIFFUSED	12-28 VAC/VDC	800	120
PM5-A17B28V	465	BLUE	BLUE DIFFUSED	12-28 VAC/VDC	400	120
PM5-A17R110AC	630	RED	RED DIFFUSED	110 VAC	600	120
PM5-A17Y110AC	585	YELLOW	YELLOW DIFFUSED	110 VAC	600	120
PM5-A17G110AC	515	GREEN	GREEN DIFFUSED	110 VAC	800	120
PM5-A17B110AC	465	BLUE	BLUE DIFFUSED	110 VAC	400	120



Part Number	Chromaticity Coordinates	Emitted Color	Lens Appearance	Electro-Optical Data @ 20mA		Viewing Angle
				Vf (VDC/VAC)	Iv (mcd)	
				TYP	TYP	
PM5-A17W28V	X=0.31, Y=0.32	WHITE	WHITE DIFFUSED	12-28 VAC/VDC	1200	120
PM5-A17W110AC	X=0.31, Y=0.32	WHITE	WHITE DIFFUSED	110VAC	1200	120

ABSOLUTE MAXIMUM RATINGS (Ta = 25°C)

MAXIMUM POWER DISSIPATION _____ 825 mW
 OPERATING TEMPERATURE RANGE _____ -40°C ~ 95°C
 STORAGE TEMPERATURE _____ -40°C ~ 100°C

STANDARD TOLERANCE (UNLESS OTHERWISE SPECIFIED) DECIMALS ANGULAR		BIVAR [®] 4 THOMAS, IRVINE, CA. 92618 TEL: (949) 951-8808 FAX: (949) 951-3974	
DESIGNED: R. Paje		DATE: 02/23/11	
CHECKED: T. Yin		DATE: 02/23/11	
CAGE CODE : 32559		PART NO: PM5-A17XXX	
SHEET # 2 OF 2		REVISION: C	
CAD GENERATED DOCUMENT. DO NOT MEASURE DRAWING.			