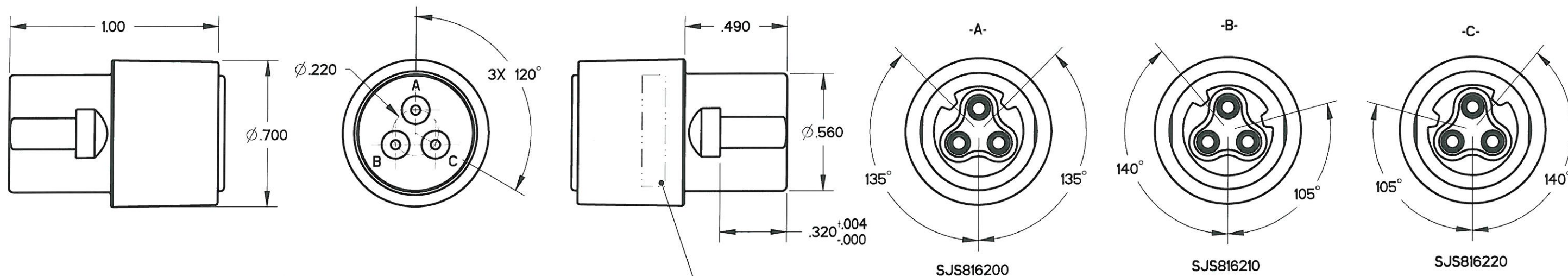
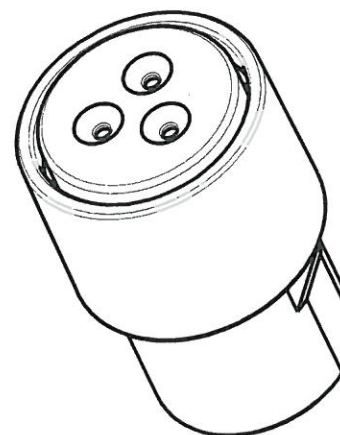


REV	ECN	APP'D
-	5791	J. TON
A	5951	J. TON
B	6109	J. TON
C	6589	J.Ton/10/10

- NOTES:
- MATERIALS:
 HOUSING: PA 6/6
 CONTACT RETAINER: STAINLESS STEEL
 GROMMET: SILICONE RUBBER PER A-A-59588
 SEAL: SILICONE RUBBER PER A-A-59588
 - OPERATING RANGE:
 TEMPERATURE: -55 °C TO 95 °C
 INSULATION RESISTANCE: 5000 MEGOHMS MINIMUM
 DIELECTRIC WITHSTANDING VOLTAGE: 1500 VRMS SEA LEVEL
 600 VRMS @ 45,000 FT. ALTITUDE
 - CURRENT RATING: 13 AMPS
 - VIBRATION: PER EIA-364D METHOD 28, TEST CONDITION V.
 - ALTITUDE IMMERSION: PER EIA-364D METHOD 3 @ 55,000 FT (FORMERLY MIL-STD-1344 METHOD 1044)
 - ACCEPTS (3) M39029/58-364 PIN CONTACTS (NOT INCLUDED)
 - CONTACT RETENTION - 20 LBS EACH
 - LOCKING FEATURE - NO BREAK 45 LBS MIN



PART MARKING AS FOLLOWS:

APCD YYWW ← DATE CODE
 SJS8162XX ←

SEE TABLE 1 FOR FULL PART NUMBERS

KEY CONFIGURATION SEE TABLE 1

TABLE 1 - PART NUMBER SCHEME		
APCD PART#	KEY	COLOR
SJS816200	A	RED
SJS816210	B	WHITE
SJS816220	C	BLUE

DIMENSIONS ANSI Y14.5M UNITS: INCHES Pro/E FILE	TOLERANCES .XX ±0.01 .XXX ±0.005 ANGLES ±1.0°	PROJECTION 	Amphenol Pcd SPECIFICATION DRAWING			TITLE IN-LINE JUNCTION TRIPLE WIRE, SIZE 16 RECEPTACLE		
			ENGR S. STONE 10/19/05	SIZE B	DWG NO. SJS816200	REV C	CODE: 58982	SCALE: 2:1
ORIGINAL 	THIS DOCUMENT CONTAINS PROPRIETARY INFORMATION WHICH IS THE CONFIDENTIAL PROPERTY OF AMPHENOL PCD INC., BEVERLY, MA			CHKD 10/12/10	APPD 10/12/10			