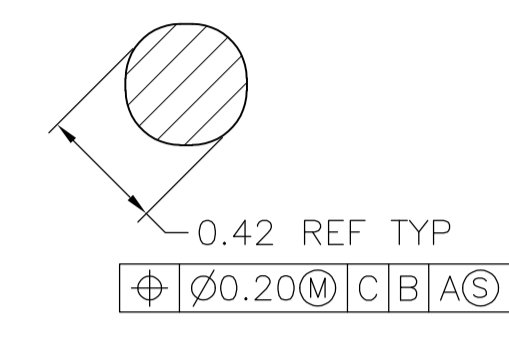
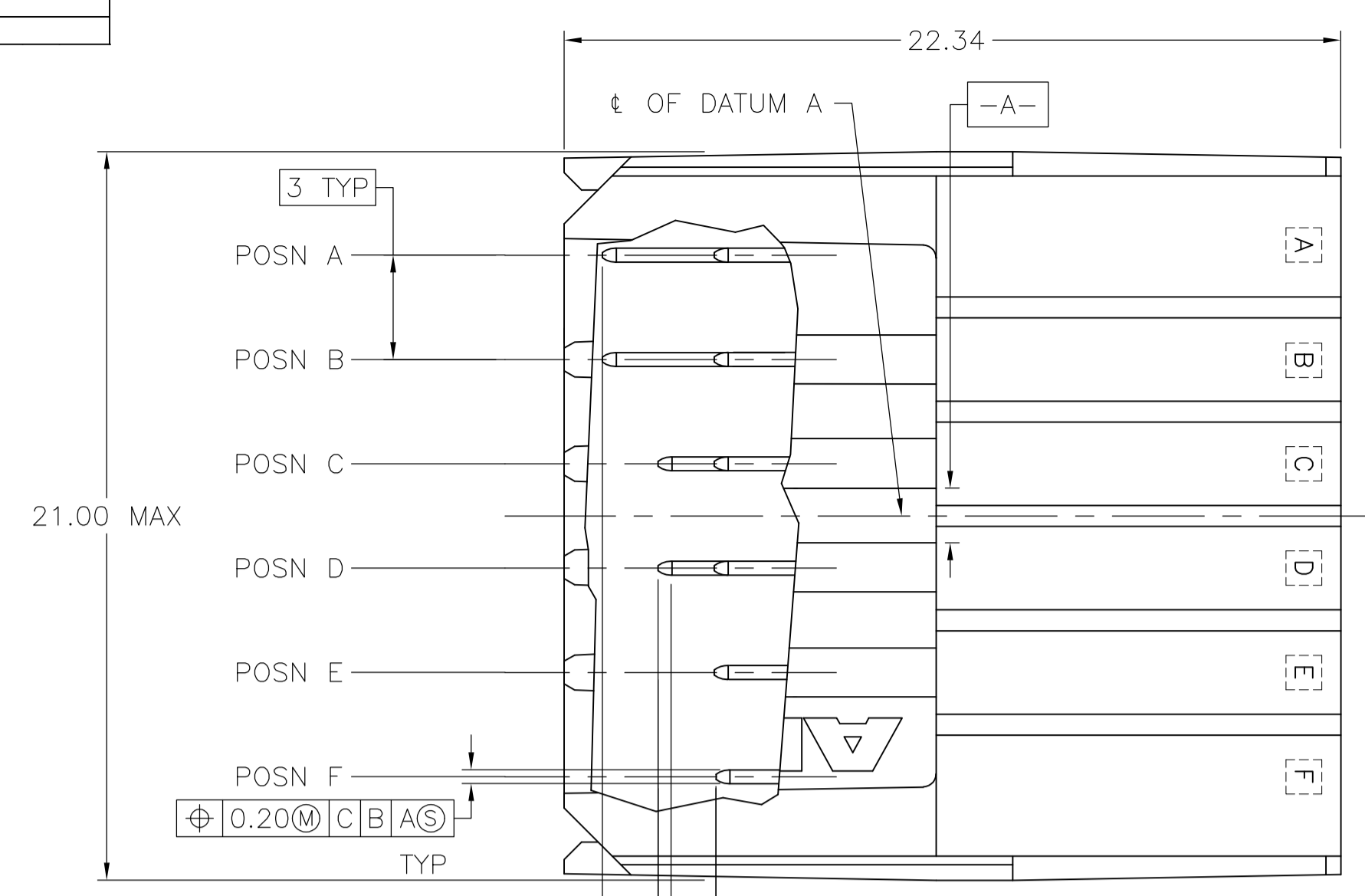
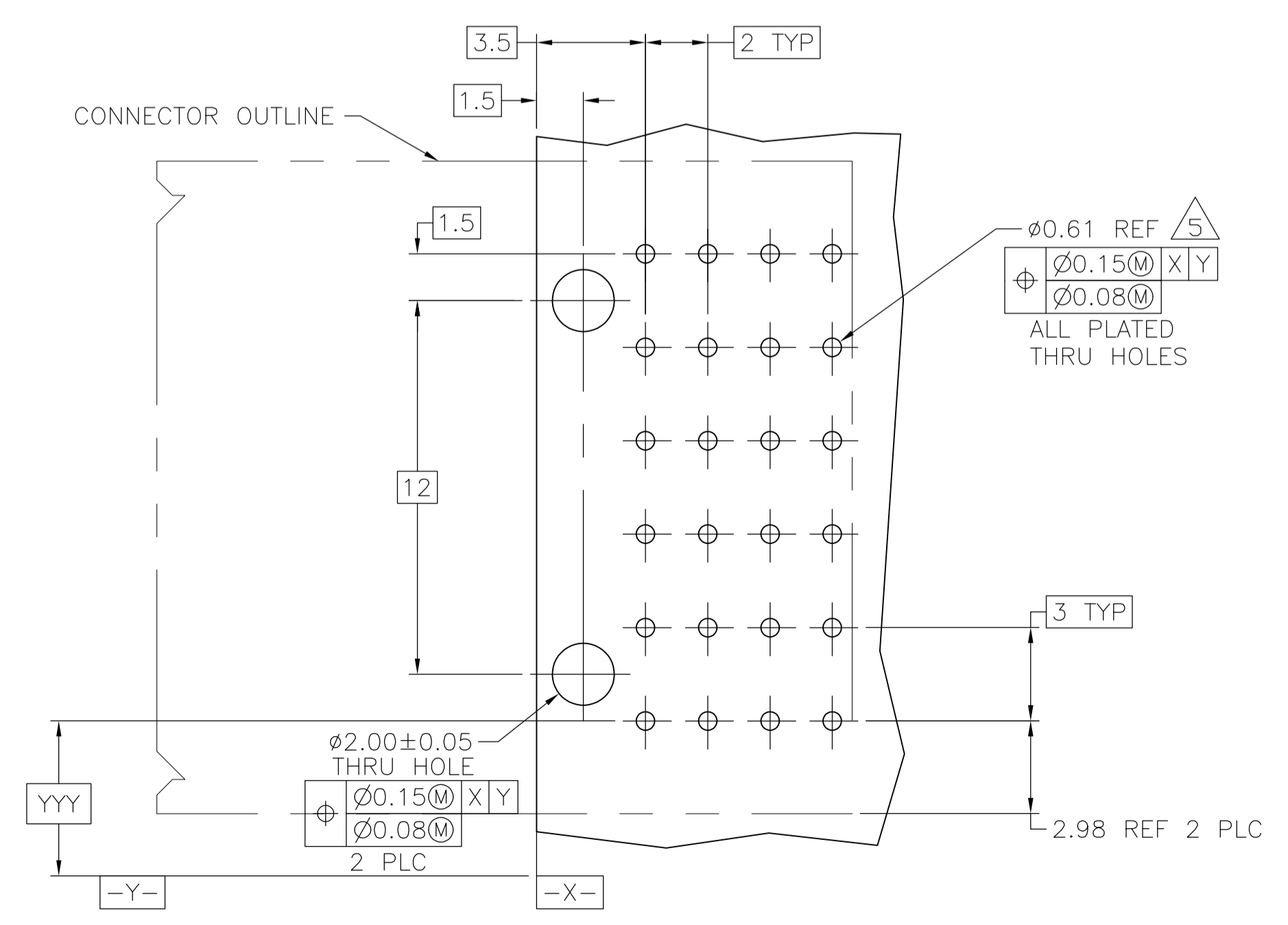
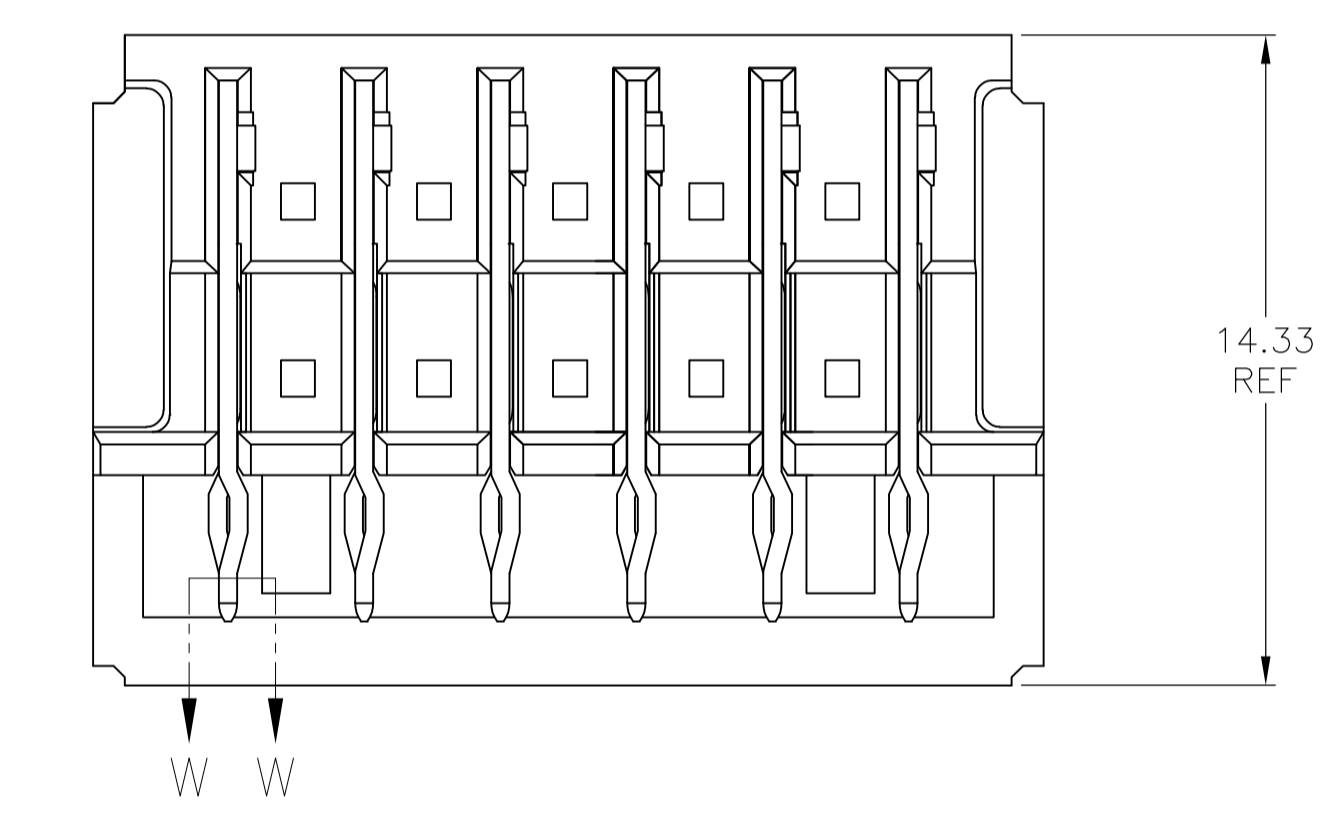
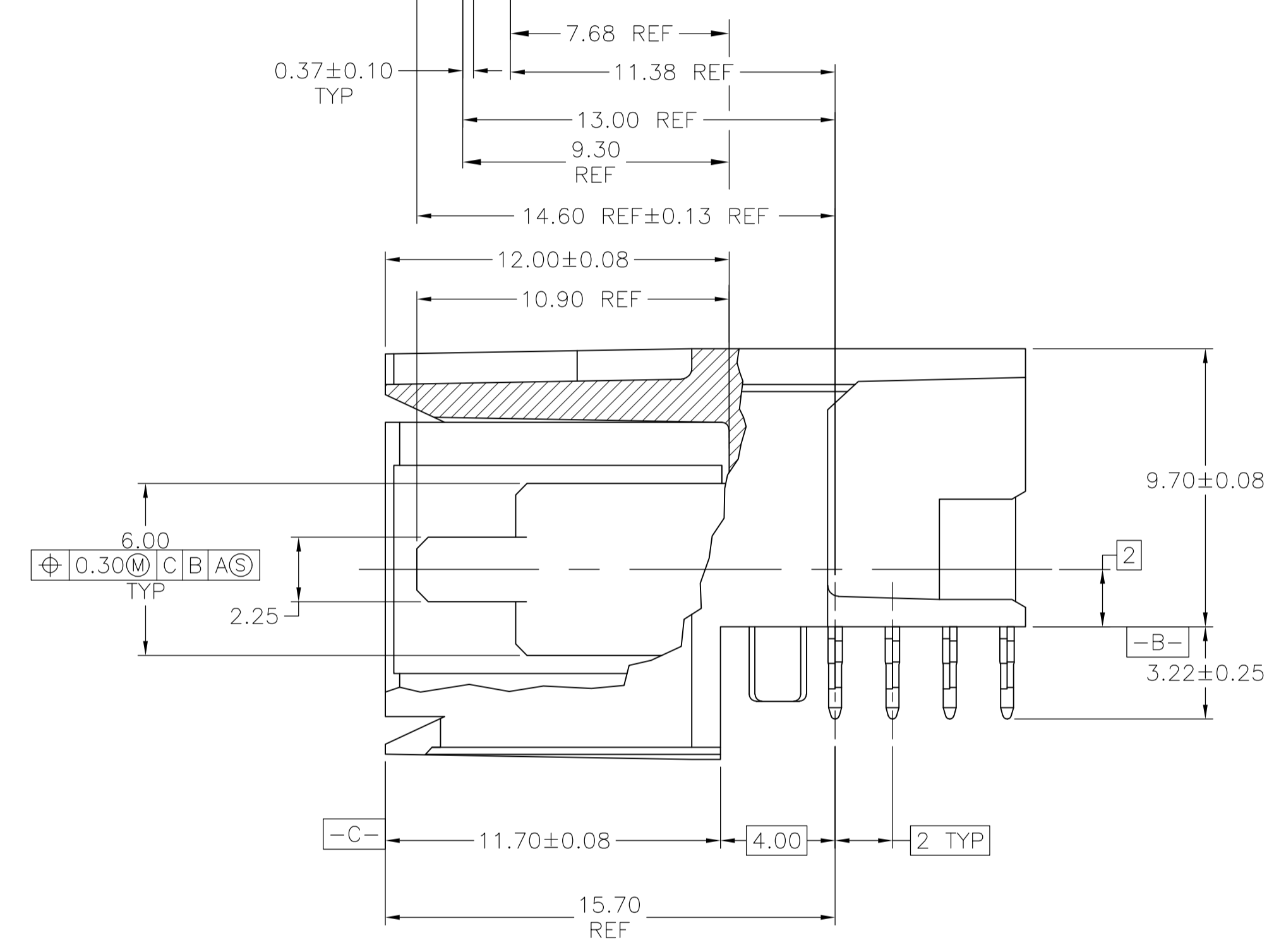
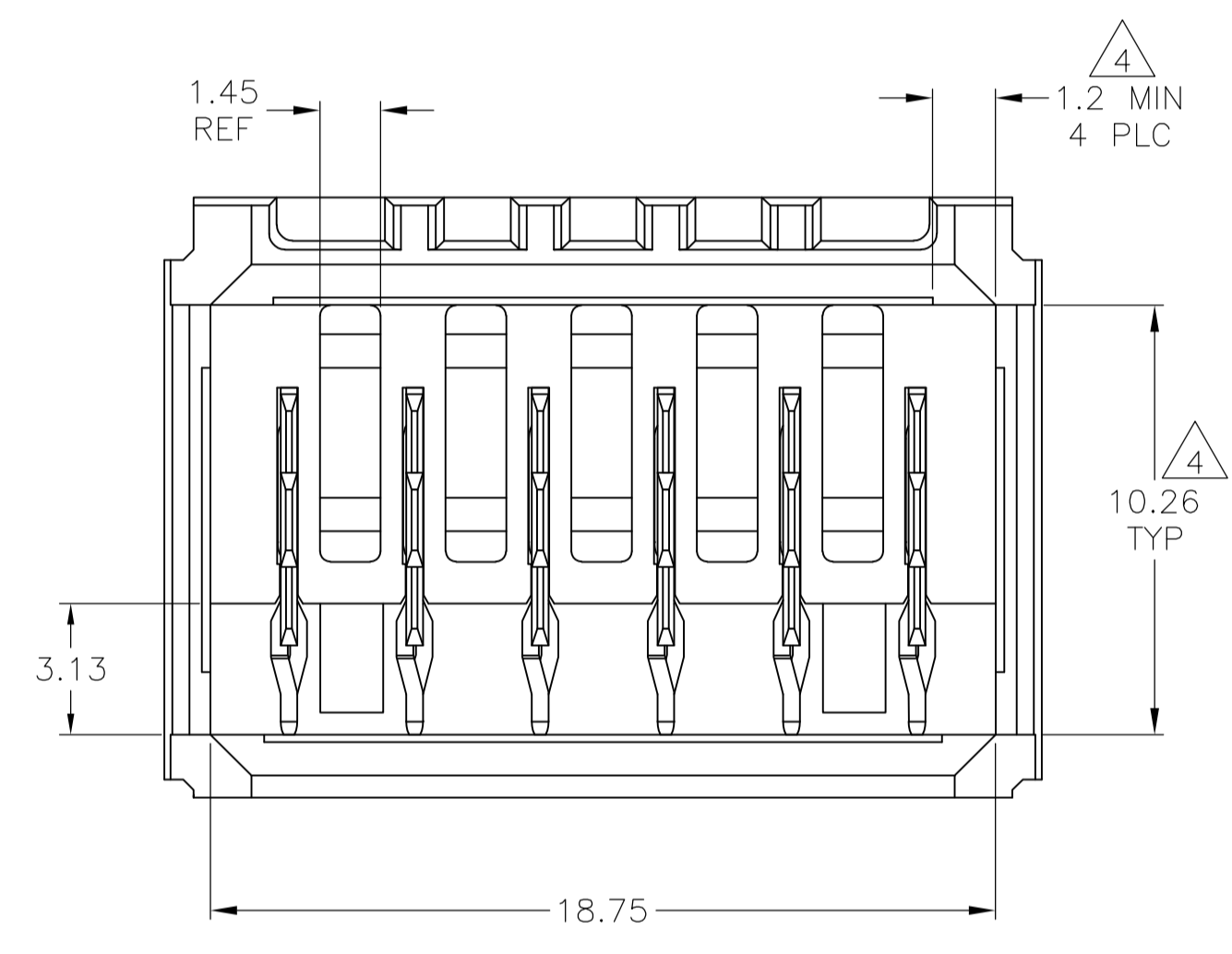


LOC		DIST		REVISIONS				
AD	00	REV	DATE	BY	CHK	APPV		
C		REVISED PER ECO-11-000045	04JAN11	DH		DY		



SECTION W-W  
SCALE 40:1

- 1 MATERIAL: HOUSING: POLYESTER, GRAY. UL 94V-0. CONTACT: HIGH CURRENT COPPER ALLOY.
- 2 FINISH: CONTACT MATING AREA: 1.27μm MIN GOLD OR 0.08μm MIN GOLD OVER 0.76μm MIN PALLADIUM-NICKEL. ACTION PIN AREA: 0.5μm MIN MATTE TIN PLATE, ALL OVER 1.27μm MIN NICKEL UNDERPLATE.
- 3 FINISH: CONTACT LUBRICATION WITH BELLCORE APPROVED LUBRICANT. TECHNICAL REFERENCE: GR-1217-CORE, ISSUE 1, NOVEMBER 1995.
- 4 THE 10.26±0.13 DIMENSION APPLIES IN THIS AREA.
- 5 REFERENCE APPLICATION SPEC 114-1103 FOR RECOMMENDED PLATED THRU HOLE DIAMETER AND PLATING THICKNESSES.
6. CURRENT RATING 16A/CONTACT PER PRODUCT SPEC 108-1651.



RECOMMENDED PCB HOLE LAYOUT

A	B	C,D,E,F	6	120956-2
A,B,C,D,E,F	-	-	6	120956-1
POSITIONS LOADED WITH 10.90 REF CONTACTS	POSITIONS LOADED WITH 9.30 REF CONTACTS	POSITIONS LOADED WITH 7.68 REF CONTACTS	NO OF LOADED POSITIONS	PART NUMBER

THIS DRAWING IS A CONTROLLED DOCUMENT.		DIN B CARDO 110CT04	Tyco Electronics Corporation	
DIMENSIONS: mm		CHK R PATTERSON 110CT04	Harrisburg, Pa 17105-3608	
TOLERANCES UNLESS OTHERWISE SPECIFIED:		APPV R PATTERSON 110CT04	NAME	
0 PLC ± -	1 PLC ± -	ASSEMBLY, RIGHT ANGLE HEADER, W/ RETENTION PEGS, UNIVERSAL POWER MODULE		
2 PLC ± 0.13	3 PLC ± -	SIZE CASE CODE DRAWING NO RESTRICTED TO		
4 PLC ± -	ANGLES ± -	A1 00779 C=120956		
MATERIAL 1	FINISH 2 3	WEIGHT -	SCALE 6:1	SHEET 1 OF 1 REV C
CUSTOMER DRAWING		SCALE 6:1 SHEET 1 OF 1 REV C		