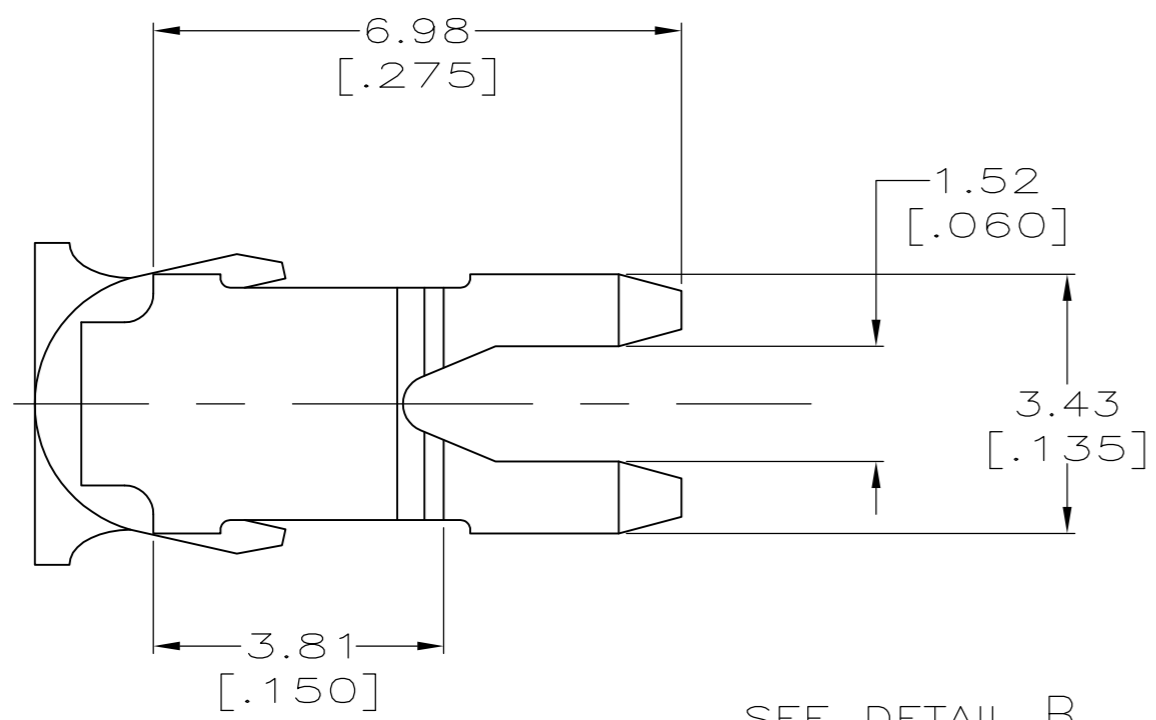
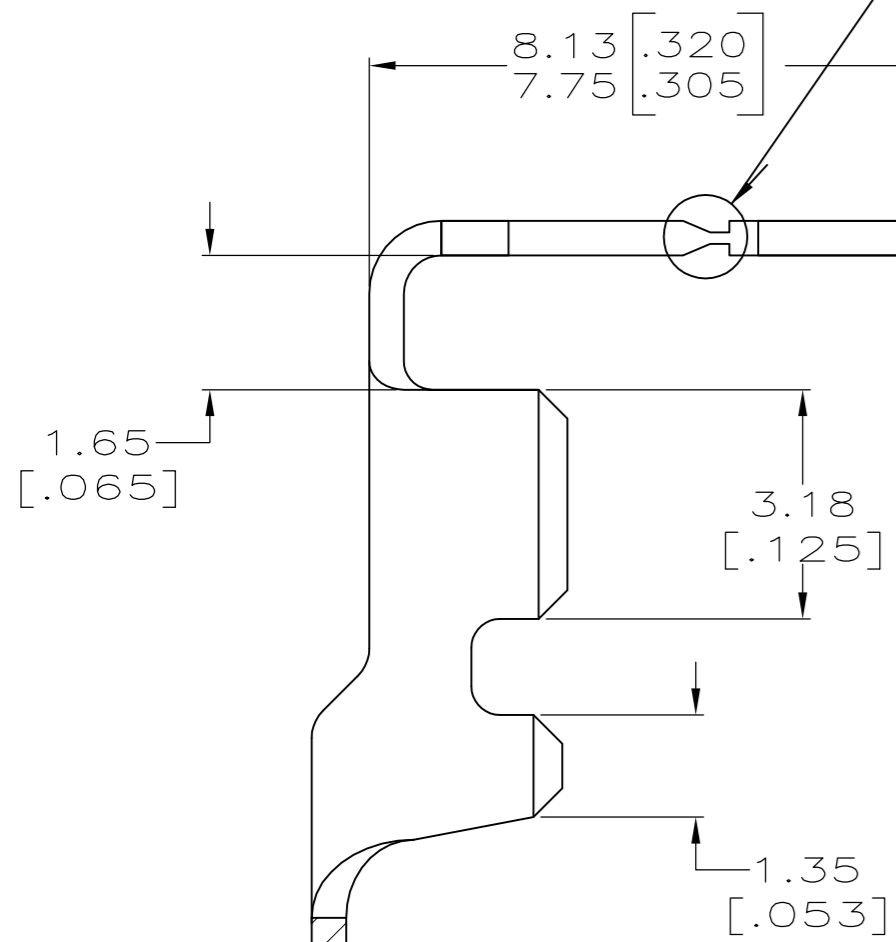


THIS DRAWING IS UNPUBLISHED. RELEASED FOR PUBLICATION
 © COPYRIGHT - By - ALL RIGHTS RESERVED.

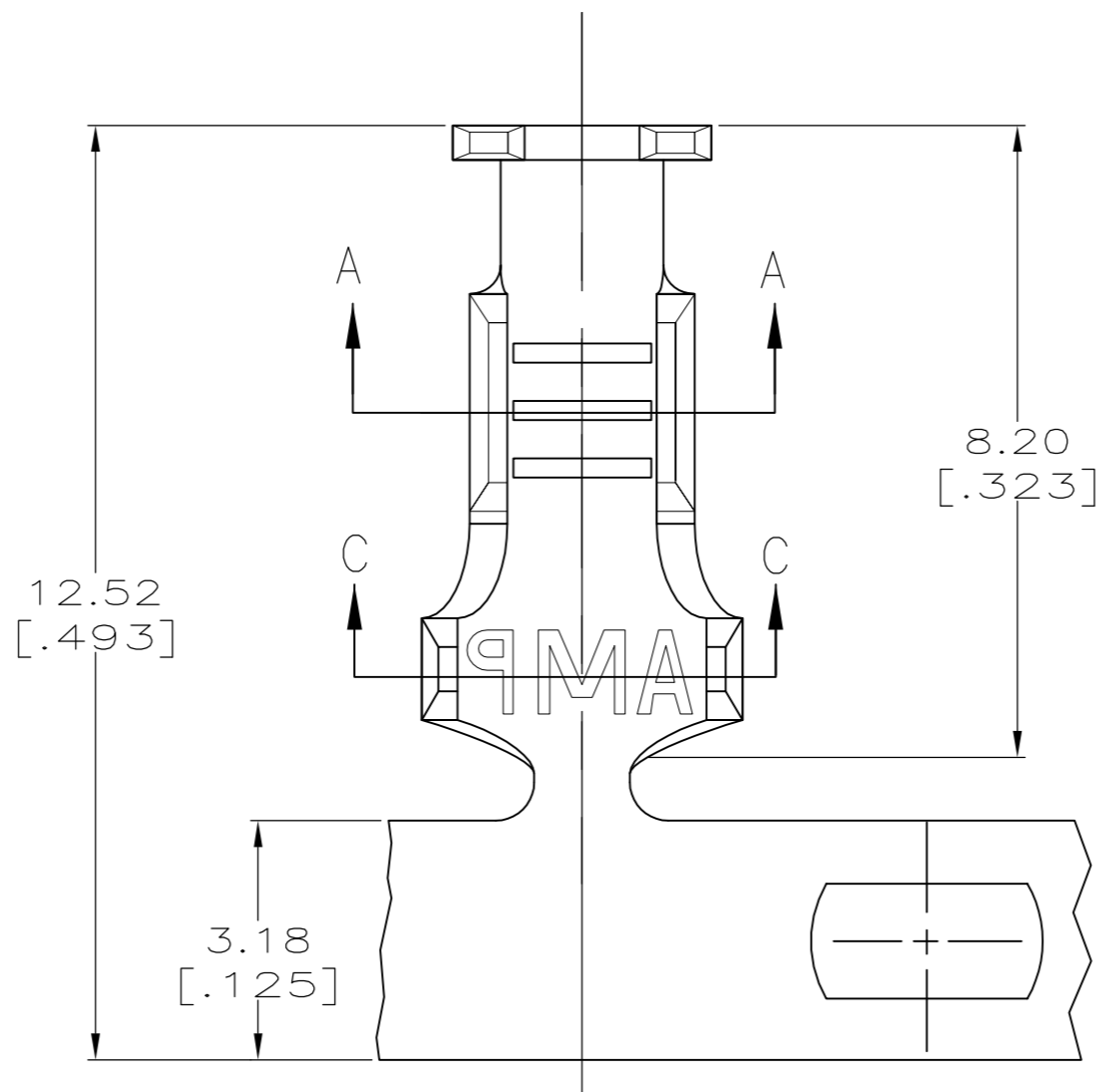
LOC		DIST		REVISIONS			
P	LTR	DESCRIPTION		DATE	DWN	APVD	
AF	50	L1	REVISED PER ECO 11-008465	21APR11	JR	KR	



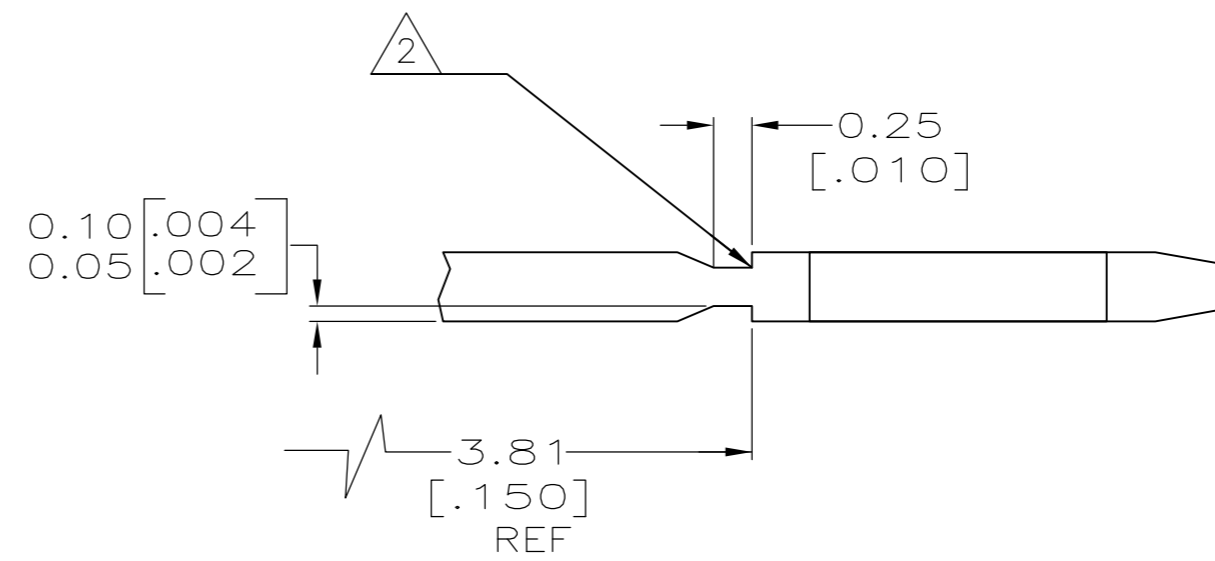
SEE DETAIL B



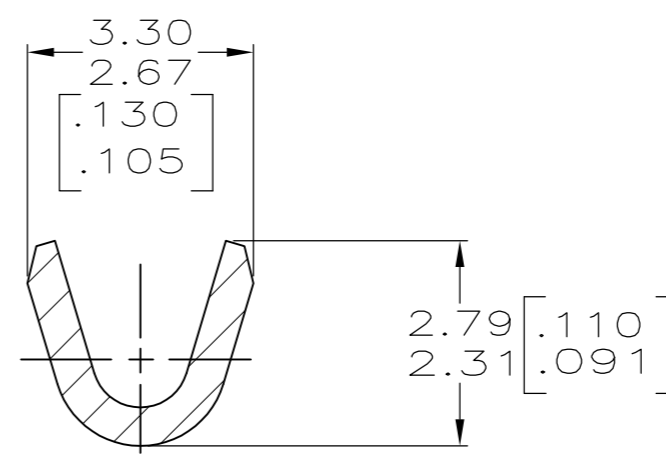
0.457 ± 0.025
[.018 ± .001]



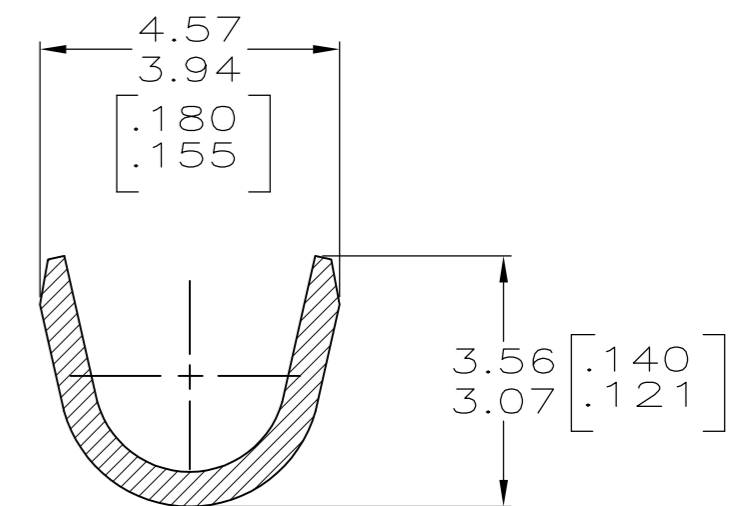
1 CONTINUOUS STRIP ON REELS
 2 FOR OPTIMUM RETENTION IN POKE-IN TYPE MAG-MATE TERMINALS, THE SERRATION AS SHOWN MUST BE ENGAGED WITH THE EDGE OF THE LEAF



DETAIL B
SCALE 20:1



SECTION A-A



SECTION C-C

1.52-2.54 [.060-.100] DIA	0.3-0.8mm ² [#22-#18]	62896-1
INSULATION RANGE	WIRE RANGE	PART NUMBER

THIS DRAWING IS A CONTROLLED DOCUMENT.		DWN R.GRZYBOWSKI 30JUL96	TE Connectivity	
DIMENSIONS: mm [INCHES]		CHK M.S.FEHER 30JUL96	NAME TAB, POKE-IN, MAG-MATE™	
TOLERANCES UNLESS OTHERWISE SPECIFIED: 0 PLC ± - 1 PLC ± - 2 PLC ± 0.25[.010] 3 PLC ± - 4 PLC ± - ANGLES ± -		APVD G.PORTA 30JUL96	PRODUCT SPEC 108-22045	
MATERIAL 081 BRASS		FINISH 0.000381 [.000015] MIN PRE-TIN PLATE	APPLICATION SPEC 114-2050	RESTRICTED TO -
WEIGHT -		SIZE A2	CAGE CODE 00779	DRAWING NO C=62896
CUSTOMER DRAWING		SCALE 10:1	SHEET 1 OF 1	REV L1