







RF TRANSFORMERS

Transformers for Wideband RF Applications



-  RoHS peak reflow temperature rating: 245°C
-  Miniature surface mount package
-  Various impedance ratios available
-  Excellent insertion loss
-  Ideal for Balanced-to-Unbalanced applications
-  Products from 0.05 to 1900 MHz bandwidth

Electrical Specifications @ 25°C — Operating Temperature -40°C to +85°C

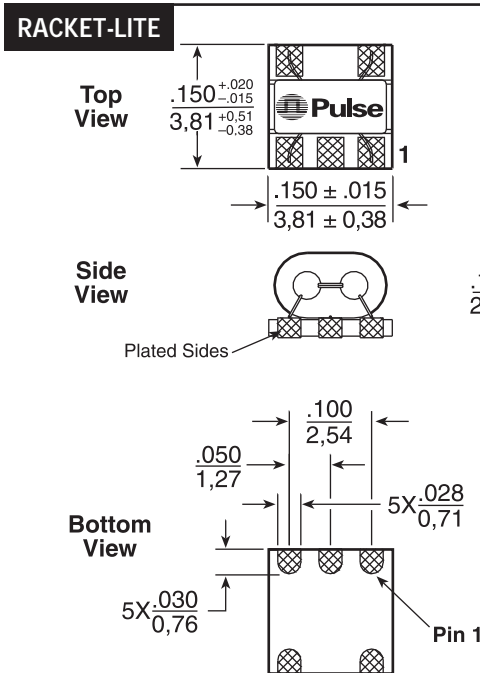
RoHS Compliant Part Number	Impedance Ratio ¹ Pri:Sec	Turns Ratio Pri:Sec (±2%)	Bandwidth ^{2,3} (MHz TYP)			Insertion Loss @ Midband (dB TYP)	Schematic	Primary Pins
			3 dB	2 dB	1 dB			
CX2041NL	1:1CT	1:1CT	0.05-450	0.75-300	0.10-200	0.60	B	4-6
CX2040LNL	1:1	1:1	1.5-500	2.5-400	5-350	0.90	A	4-6
CX2043LNL	1.5:1	$\sqrt{1.5}:1$	—	—	1-1000	0.20	D	3-6
CX2044LNL	1.5:1	$\sqrt{1.5}:1$	—	1.0-500	5-100	0.20	A	1-3
CX2045LNL	1:2CT	1:1.414CT	—	—	3-300	0.80	B	4-6
CX2047LNL	1:4CT	1:2CT	—	0.5-300	1.5-100	0.24	B	4-6
CX2049LNL	1:8CT	1:2.83CT	.25-500	0.3-400	0.5-200	1.16	B	4-6
CX2029LNL	36:1CT	6:1CT	0.05-21	—	—	0.40	B	4-6
CX2163LNL	1:1	1:1	800-1900	—	900-1400	1.50	E	1-3

Electrical Specifications @ 25°C — Operating Temperature -40°C to +85°C

RoHS Compliant Part Number	Impedance Ratio ¹ Pri:Sec	Bandwidth ^{2,3} (MHz TYP)		Schematic	Primary Pins
		2 dB	1 dB		
CX2038LNL	75 Ω:75 Ω	Up to 1500	4.5-1000	C	4-6
CX2039LNL	50 Ω:50 Ω	Up to 1500	4.5-1000	C	4-6

NOTE: Optional Tape & Reel packaging can be ordered by adding a "T" suffix to the part number, e.g. CX2041NLT, CX2163NLT.

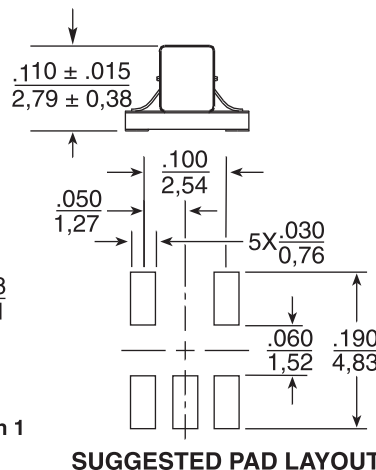
Mechanical



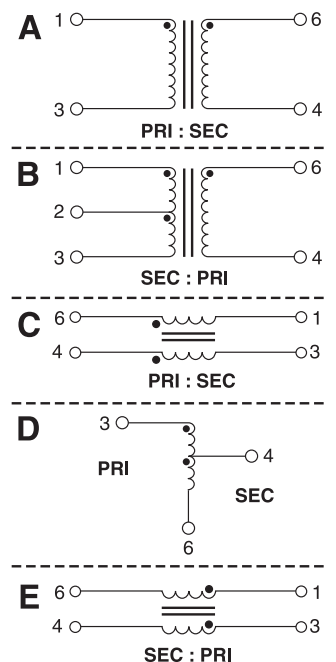
Tape & Reel 2000 /reel
 Tray 100 /tray
 Power Rating . . . 30 mA MAX; 0.25 W MAX

Dimensions: Inches
 mm

Unless otherwise specified, all tolerances are ± $\frac{.010}{0.25}$



Schematic



RF TRANSFORMERS

Transformers for Wideband RF Applications



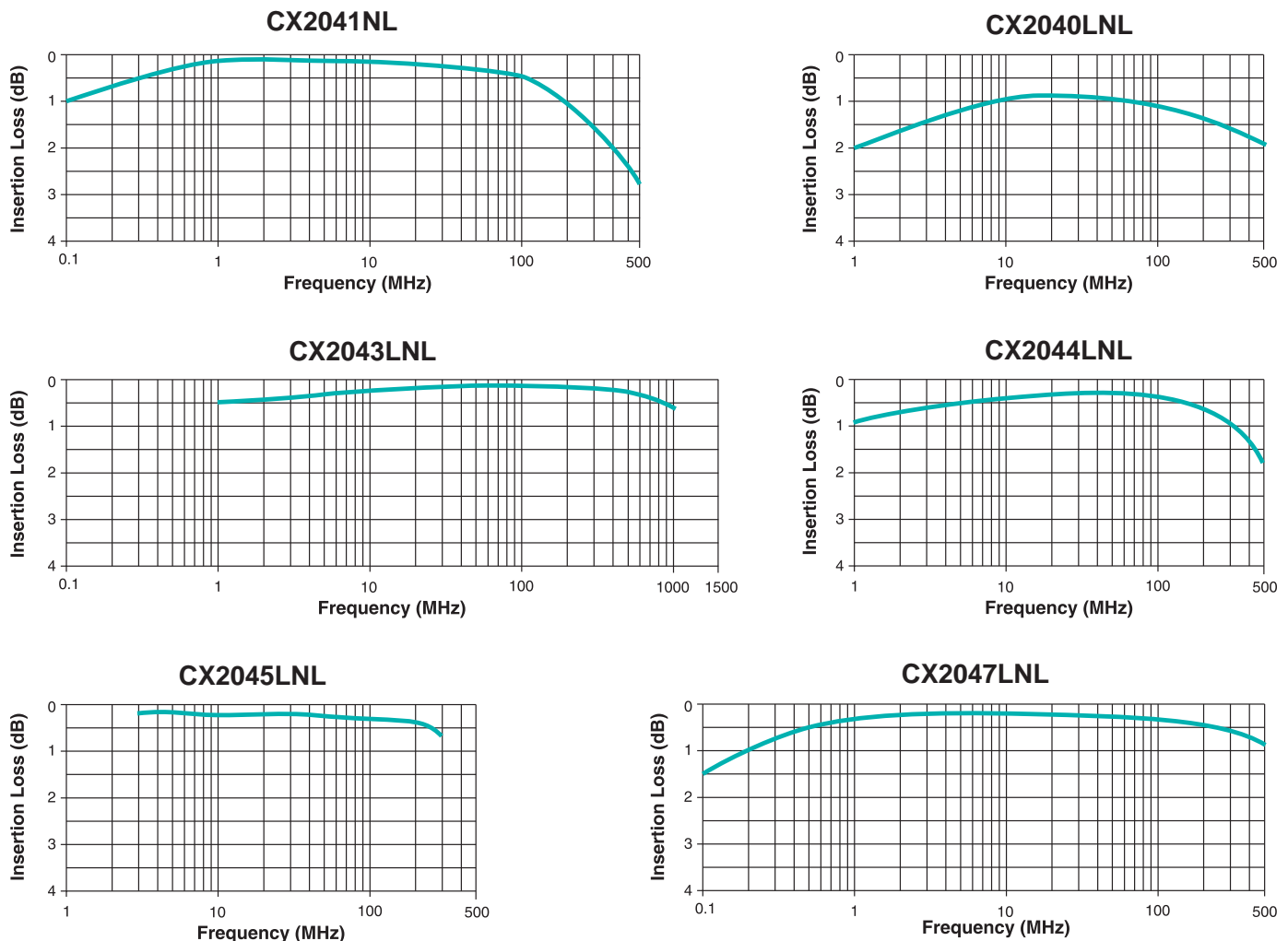
Notes from Tables

1. Impedance and turns ratios are specified primary:secondary. (CT=Center Tap).
2. Bandwidth is referenced to midband loss.
3. These transformers are verified to operate from -40°C to +85°C. Contact Pulse Applications Engineering for performance data.

Application Notes

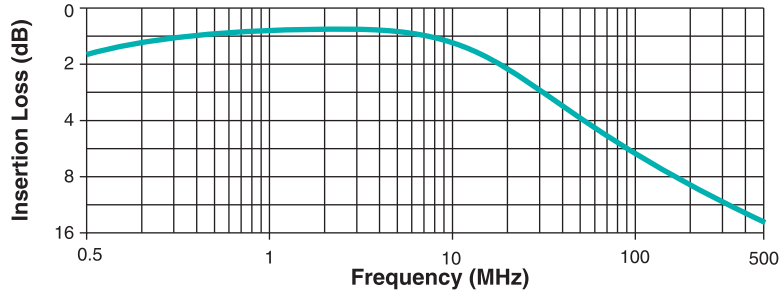
- A. Bandwidth specifications for **CX2040LNL** and **CX2047LNL** are for a 50 Ω system.
- B. Materials used in the products are UL94-V0 recognized. Products meet requirements of IEC 695-2-2 (Needle Flame Test).
- C. **CX2038LNL**, **CX2039LNL**, and **CX2043LNL** transformer configurations do not provide DC isolation between primary and secondary windings.
- D. For additional impedance ratios and frequency ranges, please contact Pulse Applications Engineering.
- E. Pick and place operation: smooth upper surface of device allows automatic pick and place.
- F. For availability of lead-free version of this product, please contact Pulse.

Typical Insertion Loss @ 25°C

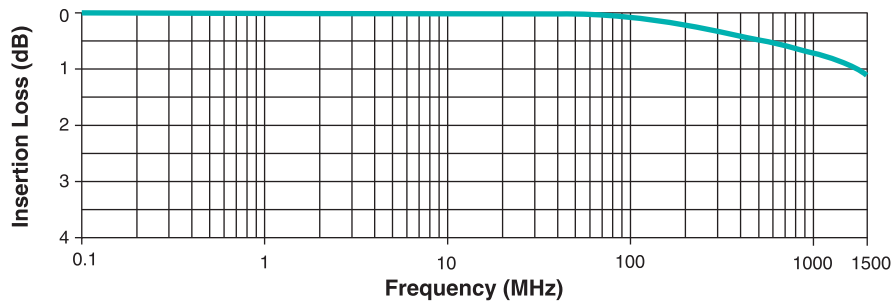


Typical Insertion Loss @ 25°C

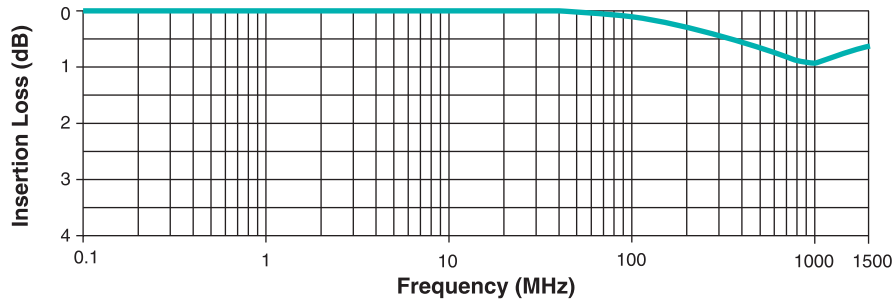
CX2029NL



CX2038LNL



CX2039LNL



For More Information:

Pulse Worldwide Headquarters

12220 World Trade Dr.
San Diego, CA 92128
U.S.A.

www.pulseeng.com

Tel: 858 674 8100
Fax: 858 674 8262

Pulse Europe

Zeppelinstrasse 15
D-71083 Herrenberg
Germany

Tel: 49 7032 7806 0
Fax: 49 7032 7806 135

Pulse China Headquarters

B402, Shenzhen Academy of
Aerospace Technology Bldg.
10th Kejinan Rd.
High-Tech Zone
Nanshan District
Shenzhen, PR China 518057

Tel: 86 755 33966678
Fax: 86 755 33966700

Pulse North China

Room 2704/2705
Super Ocean Finance Ctr.
2067 Yan An Rd. West
Shanghai 200336
China

Tel: 86 21 62787060
Fax: 86 2162786973

Pulse South Asia

135 Joo Seng Rd.
#03-02
PM Industrial Bldg.
Singapore 368363

Tel: 65 6287 8998
Fax: 65 6287 8998

Pulse North Asia

3F, No. 198
Zhongyuan Rd.
Zhongli City
Taoyuan County 320
Taiwan R. O. C.

Tel: 886 3 4356768
Fax: 886 3 4356823 (Pulse)
Fax: 886 3 4356820 (FRE)

Performance warranty of products offered on this data sheet is limited to the parameters specified. Data is subject to change without notice. Other brand and product names mentioned herein may be trademarks or registered trademarks of their respective owners.

© Copyright, 2010. Pulse Engineering, Inc. All rights reserved.