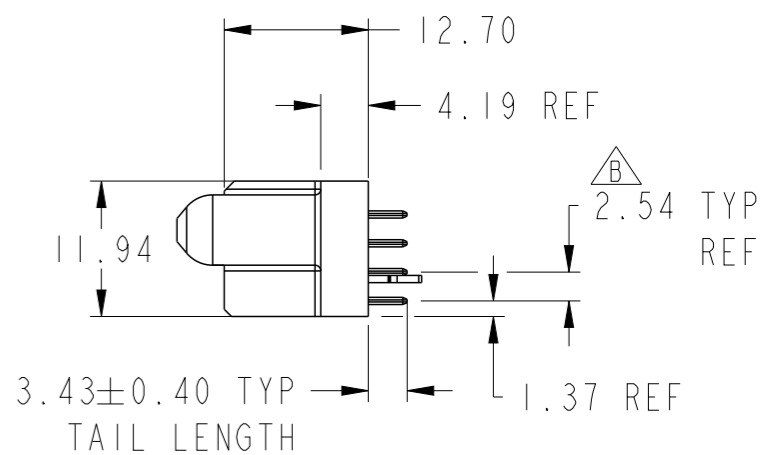
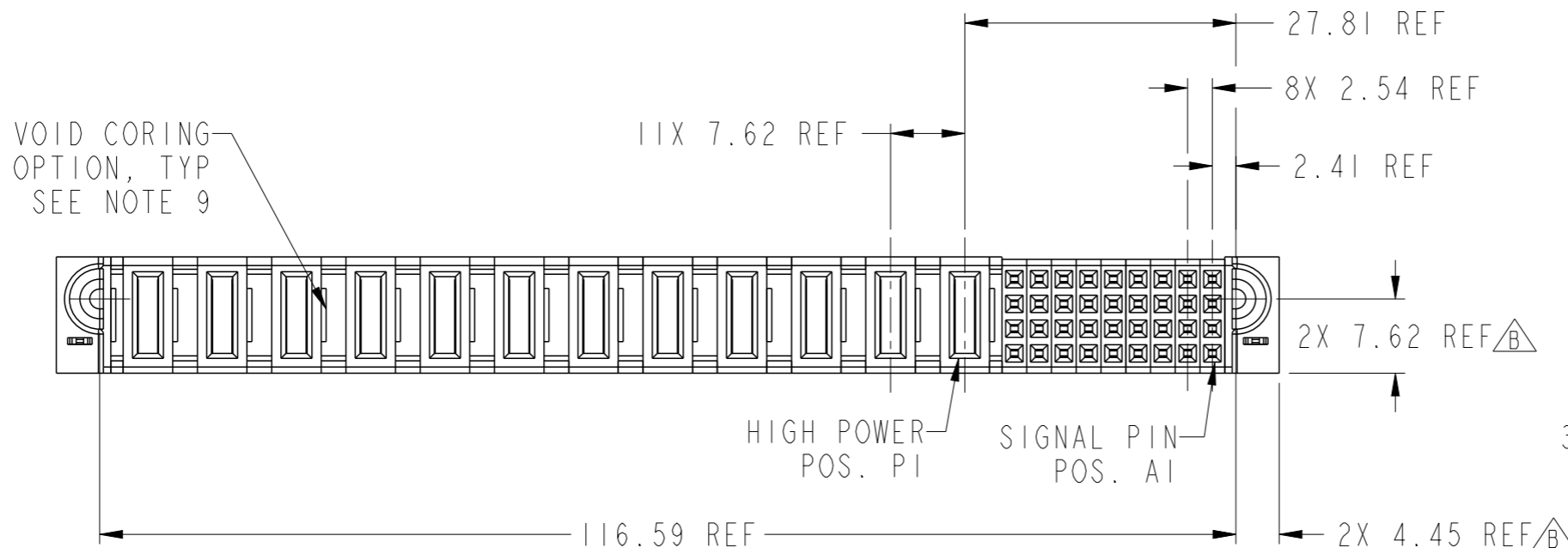
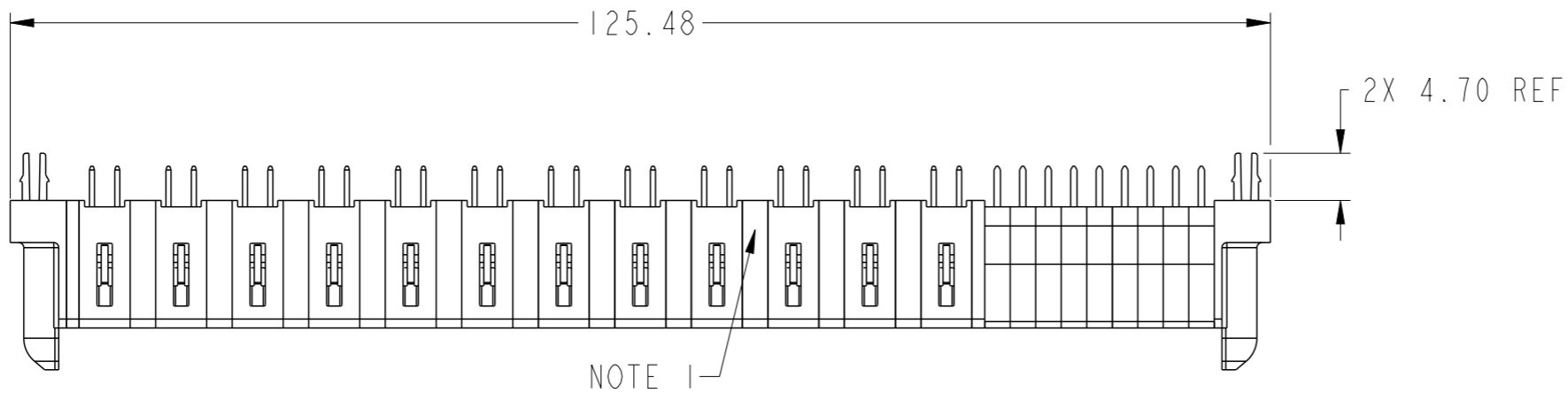
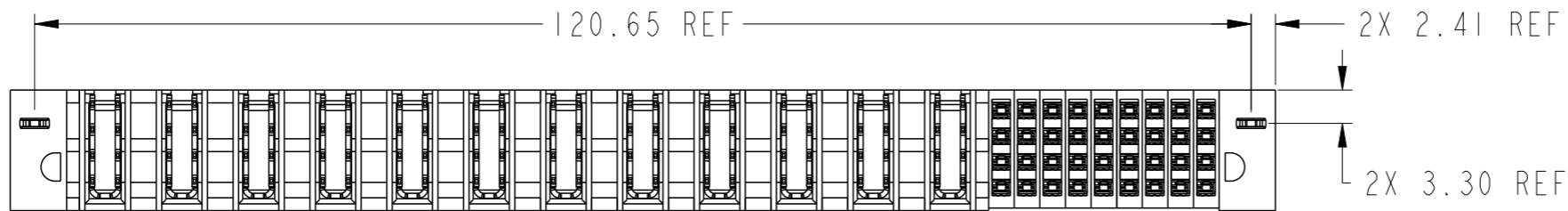


PRODUCT NUMBER SEE SHEET 2



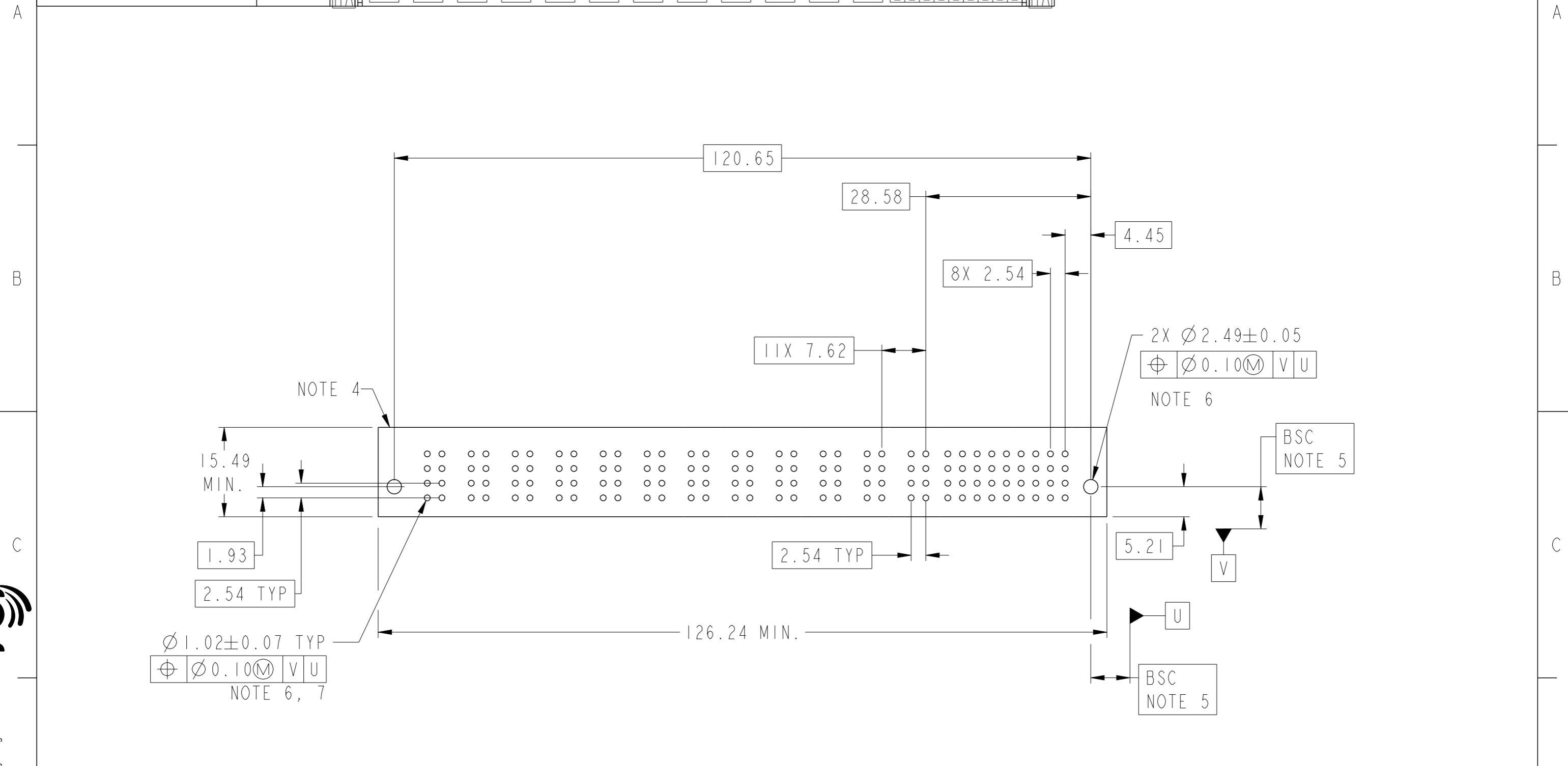
spec ref	dr	Peng-Bing Fu	2012/07/03	projection	MM	size	A3	scale	3:2
tolerance std	eng	Peng-Bing Fu	2012/11/12			ecn no	ELX-DG-013146-1	rel level	Released
ASME Y14.5	chr	Tian-Xu Huang	2012/11/13						
surface	linear	0.X	±0.50		title	36S + 12ACP	dwg no	10106122-C009001	rev
		0.XX	±0.25						
		0.XXX	±0.10						
ASME Y14.5	angular	0°	±2°	www.fci.com	cat. no.	Product - Customer Drw	sheet 1 of 3		



Copyright FCI.

PRODUCT NO. 10106122-C009001LF	ROWS DCBA	HIGH POWER												SIGNAL										E1	E2
		P12	P11	P10	P9	P8	P7	P6	P5	P4	P3	P2	P1	9	8	7	6	5	4	3	2	1			

CODE	DESCRIPTION
E	STD SIGNAL CONTACT
H3	STD HIGH POWER CONTACT (3.43)
HA	METAL HOLD DOWN



Copyright FCI.

dr	Peng-Bing Fu	2012/07/03	projection	MM	size	A3	scale	3:2
eng	Peng-Bing Fu	2012/11/12			ecn no	ELX-DG-013146-1	rel level	Released
chr	Tian-Xu Huang	2012/11/13						
appr	Pei-Ming Zheng	2012/11/13	product family	PowerBlade+				
		title 36S + 12ACP VT STB RECEPTACLE			dwg no 10106122-C009001		rev B	
www.fci.com			cat. no.		Product - Customer Drw			sheet 2 of 3

NOTES:

- 1) "FCI", PART NUMBER AND DATE CODE TO BE MARKED ON THIS SURFACE.
THE P/N CAN BE OMITTED IF THERE IS NOT ENOUGH SPACE ON THIS SURFACE.
- 2) MATERIALS:
-HOUSING - GLASS FILLED WITH HIGH TEMP THERMOPLASTIC, UL94V-0.
-SIGNAL CONTACT - COPPER ALLOY.
-POWER CONTACT - HIGH CONDUCTIVITY COPPER ALLOY.
- 3) PLATING SPECIFICATION REFER TO FCI 10116351
- 4) DENOTES CONNECTOR KEEP OUT ZONE.
- 5) DATUM AND BASIC DIMENSIONS WERE ESTABLISHED BY CUSTOMER.
- 6) ALL HOLE DIAMETERS ARE FINISHED HOLE SIZES.
- 7) 1.15 ± 0.025 MM DRILLED HOLE PLATED WITH 0.00762MM MIN Sn
OVER 0.0254-0.0762MM Cu PLATING TO ACHIEVE A 1.02 ± 0.07 MM HOLE.
- 8) PRODUCT SPECIFICATION REFER TO FCI GS-12-658.
APPLICATION SPECIFICATION REFER TO FCI GS-20-141.
PRODUCT PACKAGED IN TRAYS, REFER TO FCI GS-14-1502.
- 9) THE VOID CORING IN BETWEEN POWER MODULES, SIGNAL
MODULES AND END MODULES ARE OPTIONAL AND THE SHAPE
MAY BE DIFFERENT FOR OPTIMIZE THE MOLDING PROCESS. THE
VOID CORING WILL NOT EFFECT TO PRODUCT FUNCTION.
- 10) A \triangle SYMBOL WILL BE NEXT TO ANY DIMENSION, VIEW, OR NOTE
WHICH HAS BEEN MODIFIED WITH THE CURRENT DRAWING REVISION.



Copyright FCI.

dr	Peng-Bing Fu	2012/07/03	projection 	MM 	size	A3	scale	1:1
eng	Peng-Bing Fu	2012/11/12			ecn no	ELX-DG-013146-1		
chr	Tian-Xu Huang	2012/11/13			product family	PowerBlade+	rel level	Released
appr	Pei-Ming Zheng	2012/11/13	title 36S + 12ACP VT STB RECEPTACLE		dwg no 10106122-C009001	rev B		
www.fci.com			cat. no.	Product - Customer Drw			sheet 3 of 3	