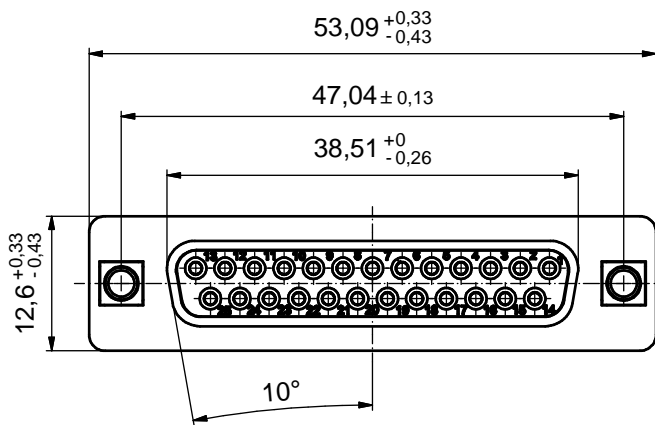
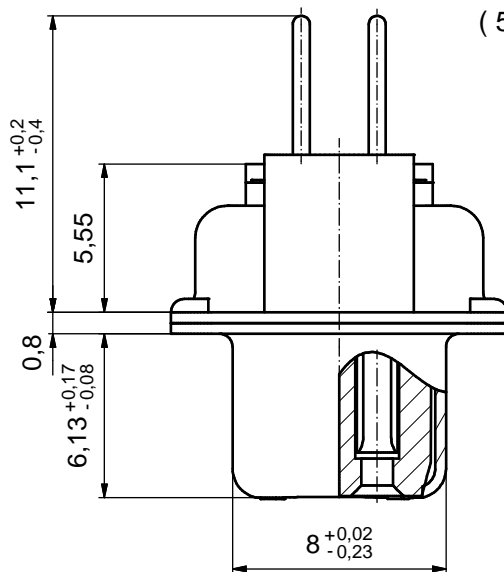


6 5 4 3 2 1

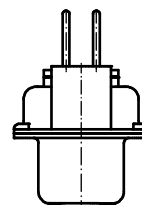
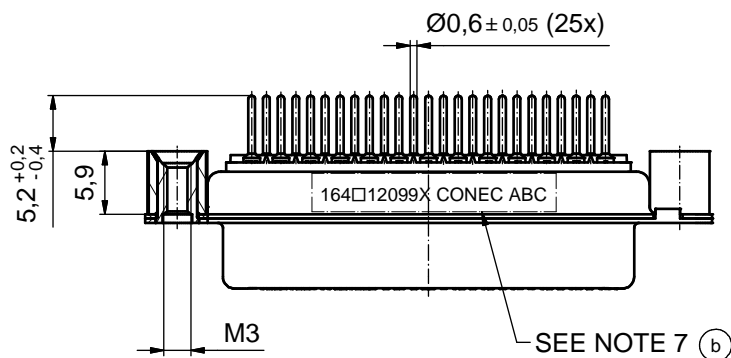
D



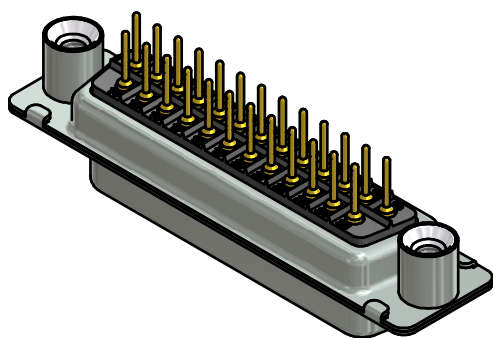
(5:1)



C



B



NOTES:

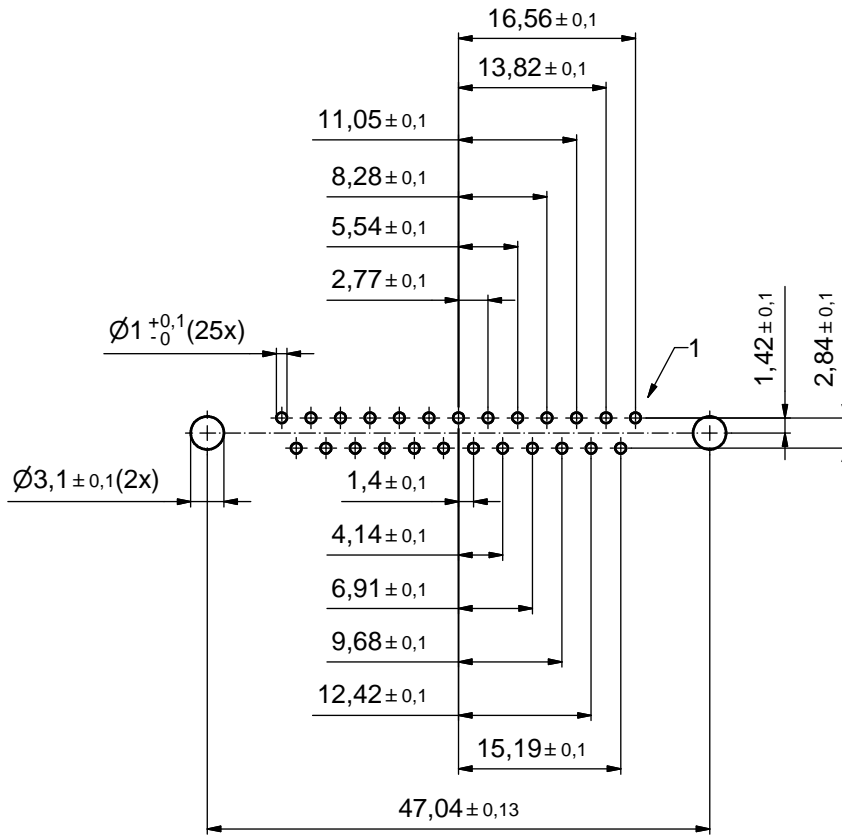
1. METALSHELLS: STEEL; min. 315µin TIN over 40-80µin NICKEL
2. INSULATORS: PBT GF UL 94 V-0, BLACK
- (b) 3. CONTACTS: COPPER ALLOY; PLATING (SEE PART NO.):
  - PLEASE ADD A for GOLD FLASH over NICKEL ( PREFERRED TYPE)
  - PLEASE ADD B for 20µin HARD GOLD over min. 50µin NICKEL
  - PLEASE ADD C for 30µin HARD GOLD over min. 50µin NICKEL
4. THREADED REAR SPACERS: COPPER ALLOY; min. 200µin TIN over 80µin NICKEL
5. SLEEVES: COPPER ALLOY; min. 200µin TIN over 80µin NICKEL
6. MAXIMUM TORQUE VALUE FOR THREAD: 6 in.LB
7. CONNECTOR IS PART MARKED: 164□12099X CONEC ABC (see note 3)

A

Directive 2002/95/EC RoHS compliant

THIS DRAWING MAY NOT BE COPIED OR REPRODUCED IN ANY WAY, AND MAY NOT BE PASSED ON TO A THIRD PARTY WITHOUT WRITTEN PERMISSION. OWNERSHIP AND COPYRIGHT OF CONEC GmbH DO NOT ALTER CAD DRAWING BY HAND	tolerance		dim. in mm		scale:	2:1 (5:1)	
					material:	see notes	
	date	name		title:			
	drawn	04.09.14	Unkrüer		D-SUB FEMALE 25pos. SOLDER PIN STRAIGHT with threaded rear spacer		
appd.	05.09.14	Lehmenkühler					
norm			d-old	16K1A1096			
4 x b	Ä5332	04.09.2014	Unkrüer	dwg no:		DIN-A3	
a	Original			(b) 16K1A3515		sh: 1	
rev.	description	date	name	part no: (b) 164□12099X		(see note 3)	

6 5 4 3 2 1



P.C.B. HOLE DRILLINGS  
( P.C.B. TOP SIDE)

THIS DRAWING MAY NOT BE COPIED OR REPRODUCED IN ANY WAY, AND MAY NOT BE PASSED ON TO A THIRD PARTY WITHOUT WRITTEN PERMISSION. OWNERSHIP AND COPYRIGHT OF CONEC GmbH  DO NOT ALTER CAD DRAWING BY HAND				tolerance		scale: 2:1
				date	name	material: see sheet 1
				drawn	04.09.14	Unkrüer
				appd.	05.09.14	Lehmenkühler
				norm		
				d-old		
				title: P.C.B. HOLE DRILLINGS		
			D-SUB FEMALE 25pos. SOLDER PIN STRAIGHT with threaded rear spacer			
			dwg no:			DIN-A3
			16K1A3515			sh: 2
			part no: SEE SHEET 1			

