

PART NAME: KNOB

SCALE: 1:1

DATE: 3/29/96

DR. BY TD

THIS DRAWING IS THE PROPERTY OF DAVIES MOLDING COMPANY, IS SUBMITTED SOLELY AS A DESIGN OR ENGINEERING PROJECT. WE ACCEPT NO RESPONSIBILITY WHATSOEVER FOR THE PRACTICAL APPLICATION OF THE PIECES MADE TO THIS DESIGN.



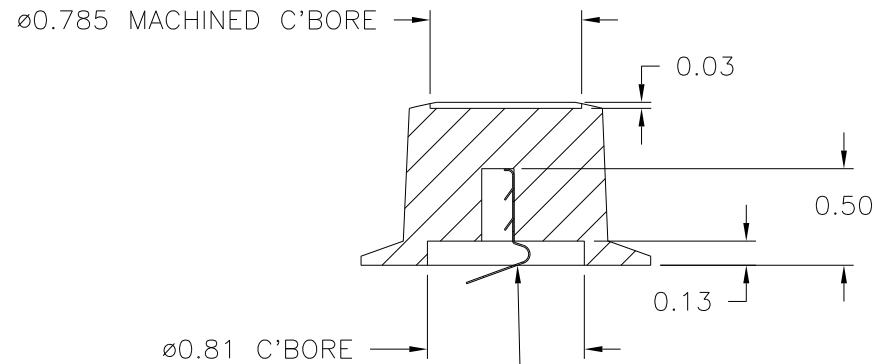
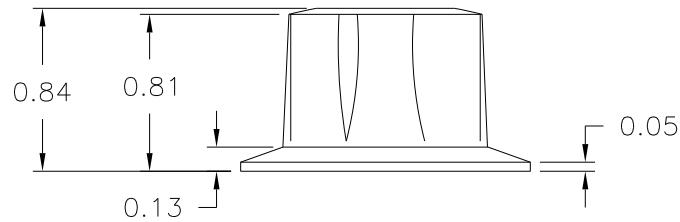
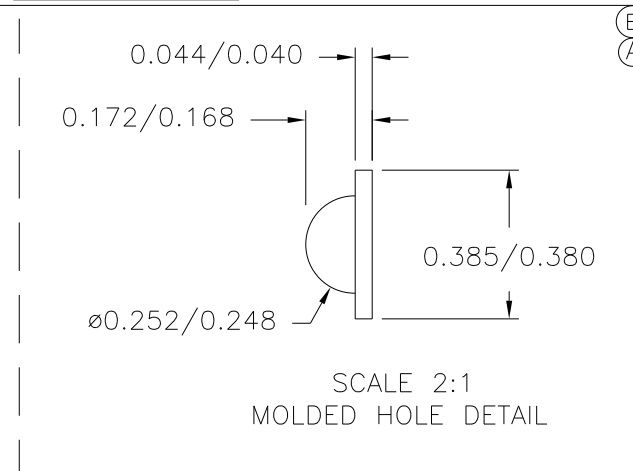
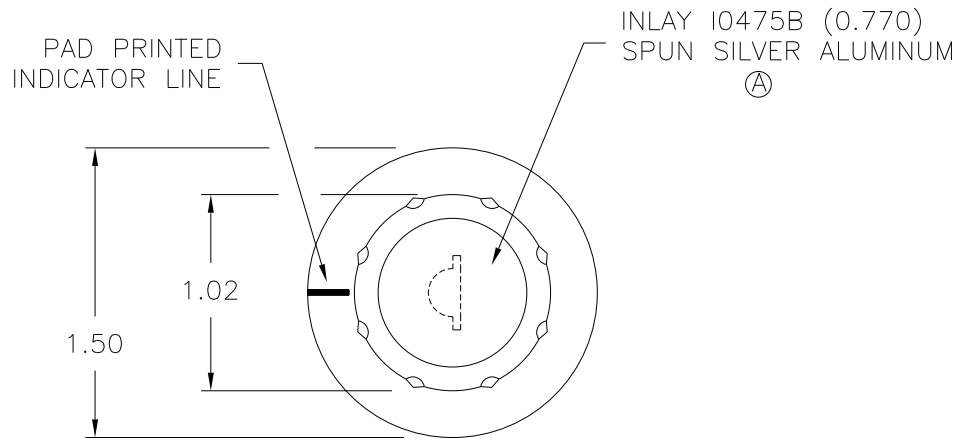
DESIGNERS & MANUFACTURERS OF KNOBS, HANDLES, CASES & CUSTOM PLASTIC COMPONENTS

P/N 1930BC

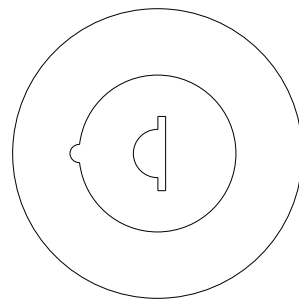
BASE PART 1930-03

INLAY I0475B

SPRING I1385 LECTRA PROD. #5800



1/4 DIA. SHAFT FLATTED TO 0.156 (LECTRA PROD. SPRING #5800)



MATERIAL: G.P. PHENOLIC (B11)  
COLOR: BLACK

TOLERANCES: UNLESS OTHERWISE SPECIFIED	DO NOT SCALE DRAWING	B	ADDED BASE PART	JAM	5/30/14
		-	UPDATED/NO CHANGE	ST	12/15/00
DECIMALS: X.XXX ± .005 X.XX ± .015	MM: X.XX ± 0.15MM X.X ± 0.4MM	A	I0475B WAS I0475	RP	5/12/99
FRACTIONS ± 1/64	ANG. ± 1°	CHANGES			