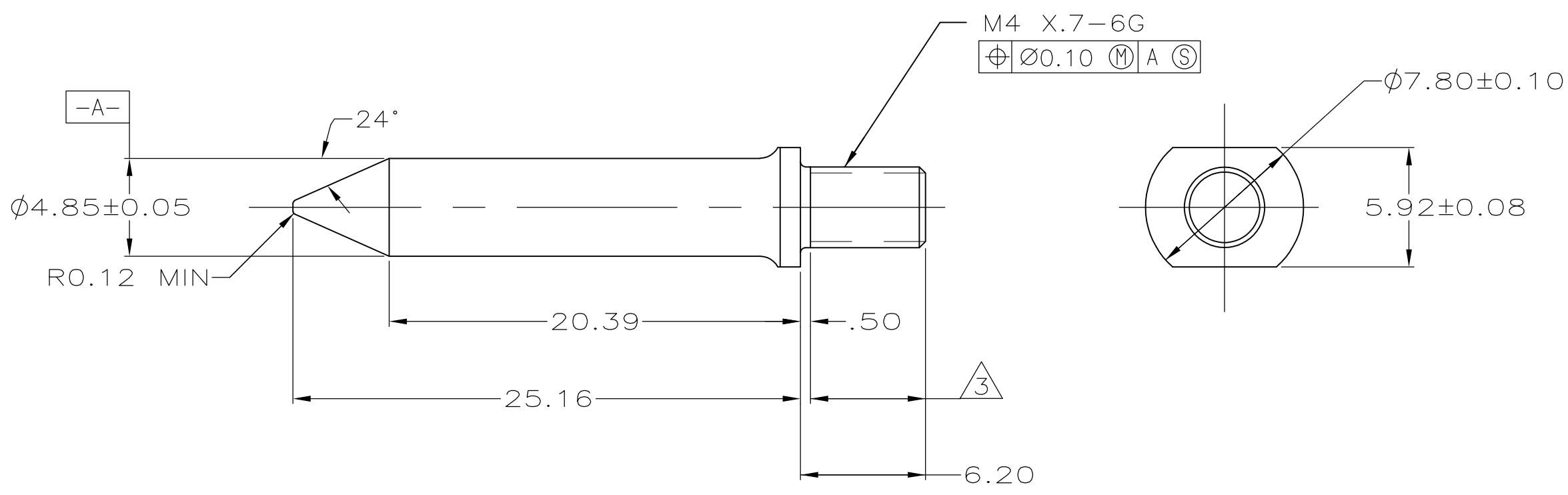


THIS DRAWING IS UNPUBLISHED. RELEASED FOR PUBLICATION
 © COPYRIGHT - By - ALL RIGHTS RESERVED.

LOC	DIST	REVISIONS			
P	LTR	DESCRIPTION	DATE	DWN	APVD
AD	47	E1	REVISED PER ECO-11-004835	11MAR11	RK HMR

- ① MATERIAL: STAINLESS STEEL.
- ② FINISH: PASSIVATE.
- ③ LOCTITE DRI-LOC 204 APPLIED IN THIS AREA.
- 4. RECOMMENDED P.C. BOARD DRILLED HOLE DIAMETER IS $4.10 \pm 0.08 \text{mm}$ IF APPLYING A NUT FROM THE REAR OF THE BOARD. IF USING WITH PEM NUT P/N KFS2-M4, DRILLED HOLE DIAMETER SHOULD BE $6.4 \pm 0.08 \text{mm}$.



223956-1
PART NUMBER

THIS DRAWING IS A CONTROLLED DOCUMENT.		DWN	25/JAN/95	TE Connectivity	
		CHK	25/JAN/95		
		APVD	25/JAN/95		
		PRODUCT SPEC			
DIMENSIONS: mm 		TOLERANCES UNLESS OTHERWISE SPECIFIED: 0 PLC ± - 1 PLC ± - 2 PLC ± 0.13 3 PLC ± - 4 PLC ± - ANGLES ± 0° 30'		NAME	
MATERIAL		FINISH		GUIDE PIN, UNIVERSAL POWER MODULE	
①		② ③		SIZE	RESTRICTED TO
		WEIGHT		A3	
		CUSTOMER DRAWING		CAGE CODE	DRAWING NO
				00779	C-223956
				SCALE	SHEET
				4:1	1 OF 1
				REV	E1