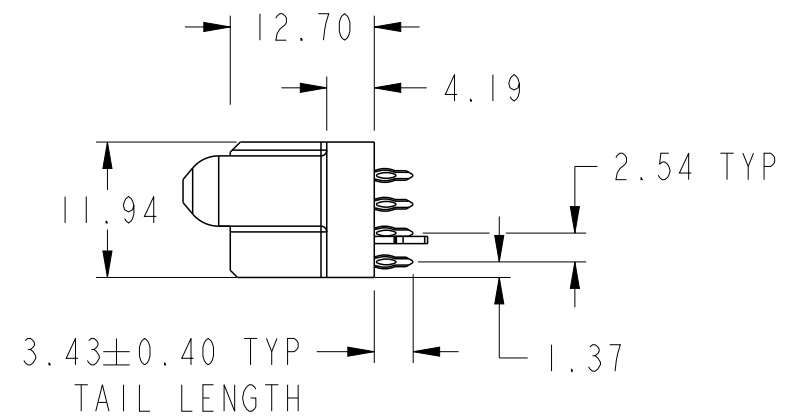
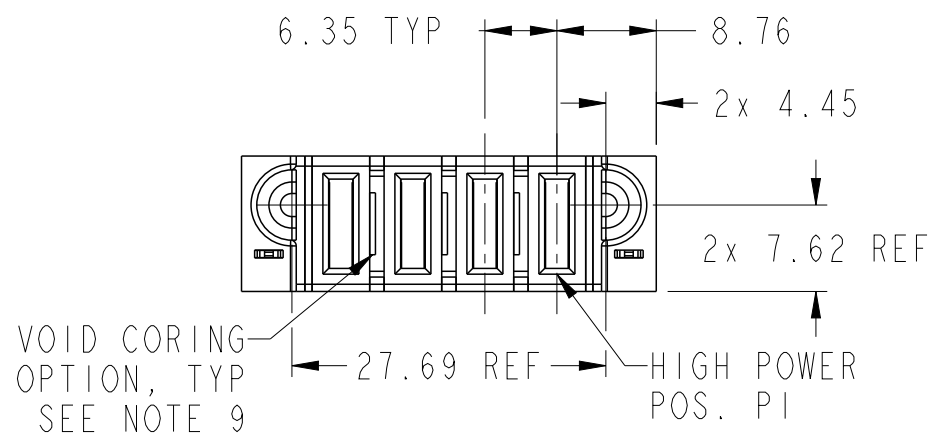
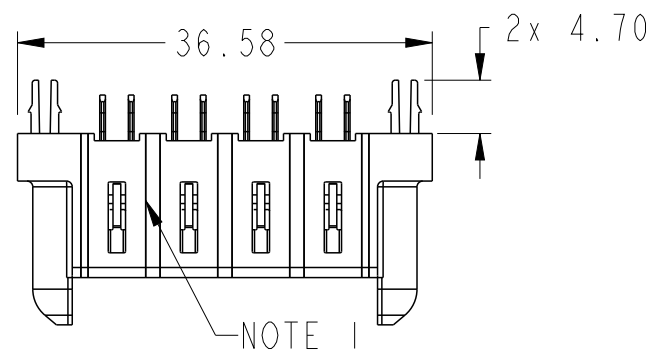
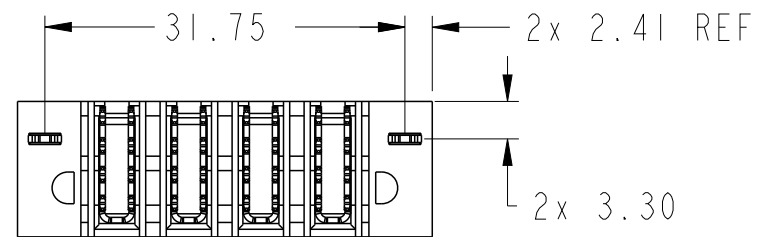


PRODUCT NUMBER SEE SHEET 2



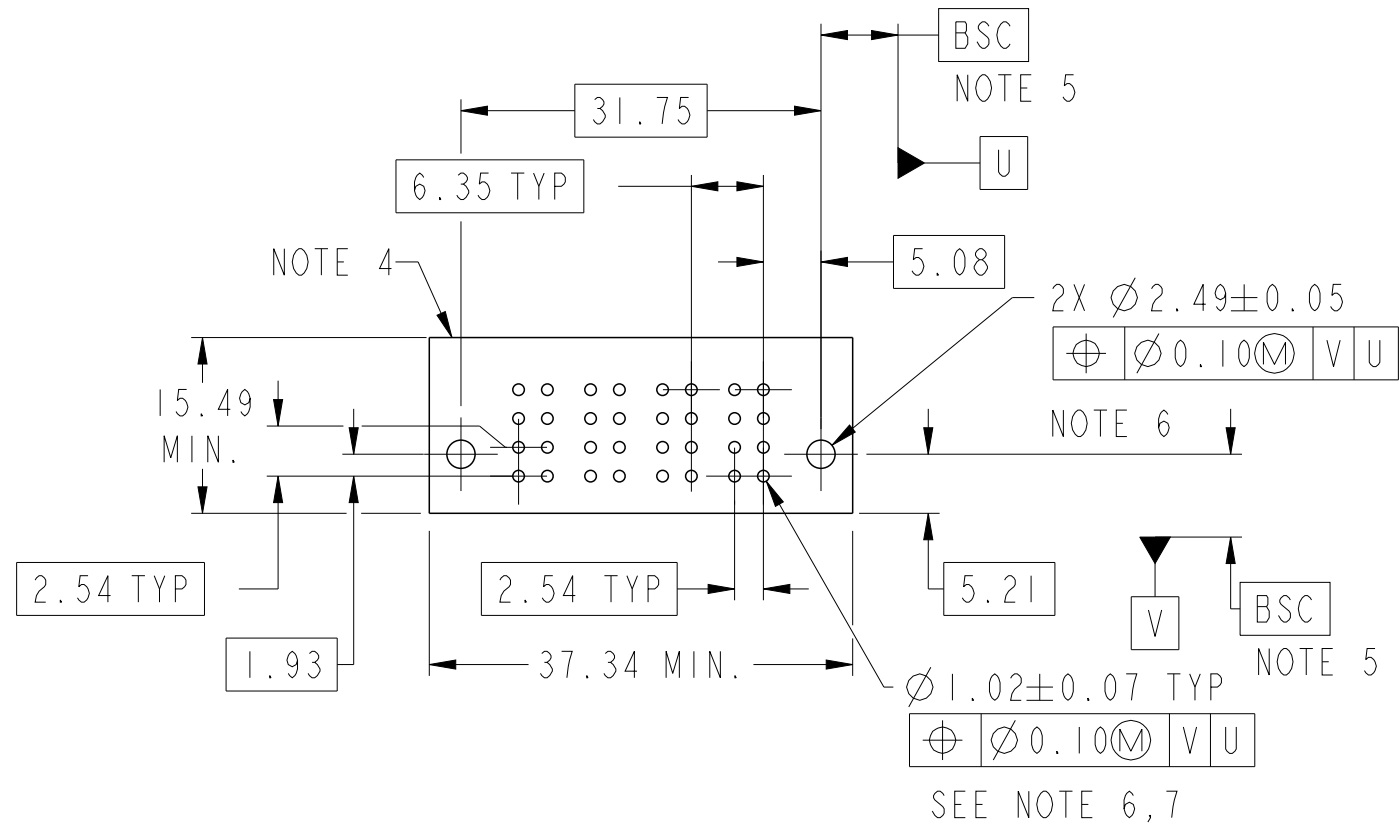
spec ref		dr	Rainbow Zhan	2014/08/14	projection	MM	size	A3	scale	3:2
tolerance std		eng	Rainbow Zhan	2014/10/31			ecn no		-	
ASME Y14.5		chr	Li-He	2014/10/30			rel level		Released	
TOLERANCES UNLESS OTHERWISE SPECIFIED		appr	Pei-Ming Zheng	2014/10/31	product family		PowerBlade+			
surface		linear	0.X	±0.50		title 4HP VT PF RECEPTACLE	dwg no 10106131-4000002	rev A		
			0.XX	±0.25						
			0.XXX	±0.10						
ASME Y14.5		angular	0°	±2°	www.fci.com	cat. no.	Product - Customer Drw		sheet 1 of 3	



Copyright FCI.

PRODUCT NO.	ROWS	HIGH POWER					
		E1	P4	P3	P2	P1	E2
10106131-4000002LF	D C B A		HG	HG	HG	HG	

CODE	DESCRIPTION
HA	METAL HOLD DOWN
HG	STD HIGH POWER CONTACT (3.43)



dr	Rainbow Zhan	2014/08/14	projection	MM	size	A3	scale	3:2	
eng	Rainbow Zhan	2014/10/31		←→	ecn no	-	rel level	Released	
chr	Li-He	2014/10/30							
appr	Pei-Ming Zheng	2014/10/31	product family	PowerBlade+					
		title		4HP	dwg no		10106131-4000002	rev	A
www.fci.com		cat. no.		Product - Customer Drw			sheet 2 of 3		



Copyright FCI.

A

B

C

D

A

B

C

D

NOTES:

- 1) "FCI", PART NUMBER AND DATE CODE TO BE MARKED ON THIS SURFACE.
THE MARK CAN BE OMITTED IF THERE IS NOT ENOUGH SPACE ON THIS SURFACE.
- 2) MATERIALS:
-HOUSING - GLASS FILLED WITH HIGH TEMP THERMOPLASTIC, UL94V-0.
-SIGNAL CONTACT - COPPER ALLOY.
-POWER CONTACT - HIGH CONDUCTIVITY COPPER ALLOY.
- 3) PLATING SPECIFICATION REFER TO FCI 10116351
- 4) DENOTES CONNECTOR KEEP OUT ZONE.
- 5) DATUM AND BASIC DIMENSIONS WERE ESTABLISHED BY CUSTOMER.
- 6) ALL HOLE DIAMETERS ARE FINISHED HOLE SIZES.
- 7) 1.15 ± 0.025 MM DRILLED HOLE PLATED WITH 0.00762MM MIN Sn
OVER 0.0254-0.0762MM Cu PLATING TO ACHIEVE A 1.02 ± 0.07 MM HOLE.
- 8) PRODUCT SPECIFICATION REFER TO FCI GS-12-658.
APPLICATION SPECIFICATION REFER TO FCI GS-20-141.
PRODUCT PACKAGED IN TRAYS, REFER TO FCI GS-14-1502.
- 9) THE VOID CORING IN BETWEEN POWER MODULES, SIGNAL
MODULES AND END MODULES ARE OPTIONAL AND THE SHAPE
MAY BE DIFFERENT FOR OPTIMIZE THE MOLDING PROCESS. THE
VOID CORING WILL NOT EFFECT TO PRODUCT FUNCTION.



Copyright FCI.

dr	Rainbow Zhan	2014/08/14	projection 	MM 	size	A3	scale	1:1		
eng	Rainbow Zhan	2014/10/31			ecn no	-				
chr	Li-He	2014/10/30			rel level	Released				
appr	Pei-Ming Zheng	2014/10/31	product family	PowerBlade+						
		title		4HP		dwg no		10106131-4000002	rev	A
www.fci.com		cat. no.		Product - Customer Drw			sheet 3 of 3			