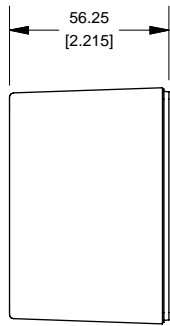


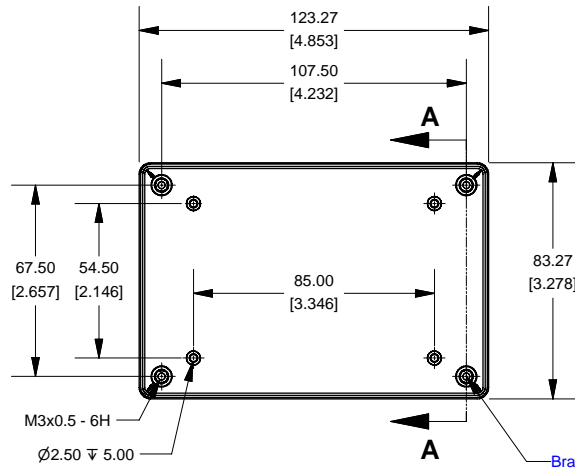
1591XXTFL Enclosure

B

1

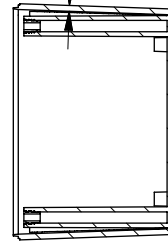


SIDE VIEW OF BOX

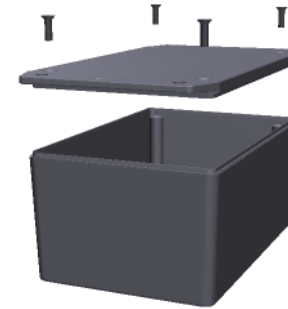


TOP VIEW OF BOX

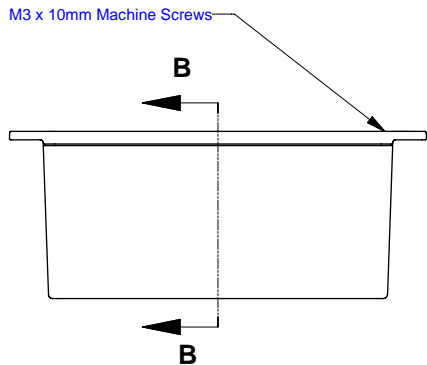
AVERAGE WALL THICKNESS
2.00
[.079]



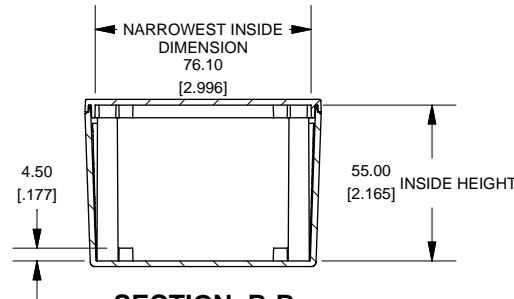
SECTION A-A



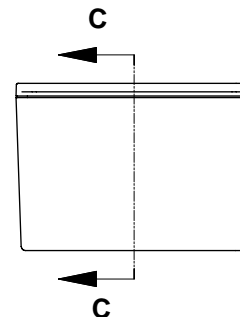
B



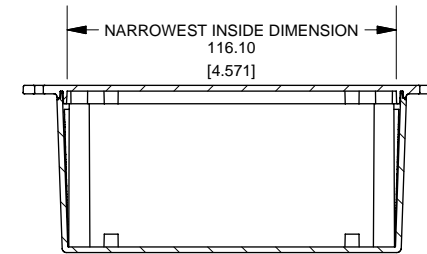
SIDE VIEW OF ENCLOSURE



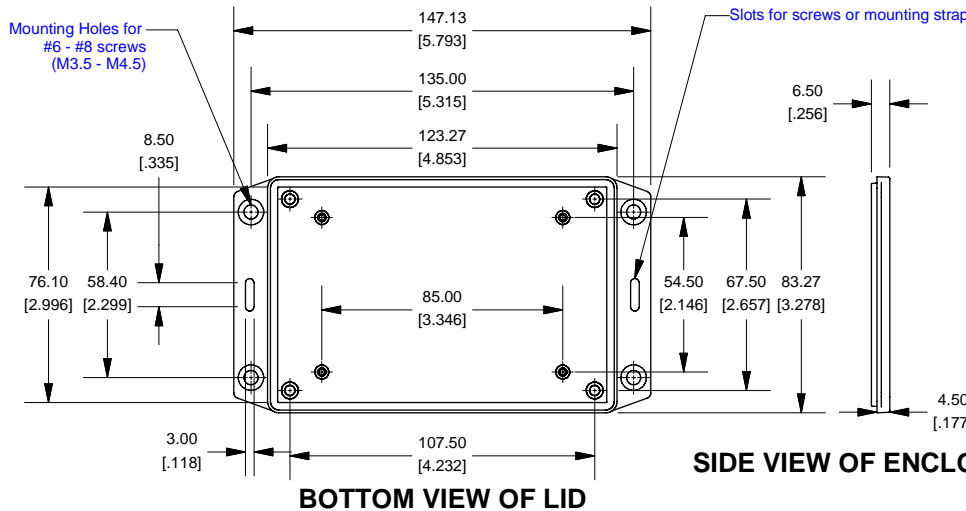
SECTION B-B



END VIEW OF ENCLOSURE

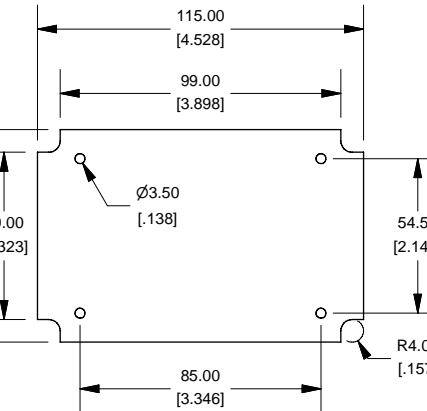


SECTION C-C



BOTTOM VIEW OF LID

SIDE VIEW OF ENCLOSURE



SIDE VIEW OF ENCLOSURE Max Size PCB. Fits in Box or in Lid.
Not supplied with Enclosure

Note:

Enclosures available modified, Milling, Drilling, Silk Screening.
Solid models of this enclosure available in STEP or IGES.
Contact Factory mjm@hammondmfg.com

NOTE	
Enclosure molded from FRABS UL 94-V0 Plastic. Other materials / Colours Available Consult Factory	
1591XXTFL	
1590XXT Flanged Lid Enclosure	
Black Enclosure Cover Screws (Pkg 100)	1591XXTFLBK
Gray Enclosure - RAL 7035	1591XXTFLGY
ACCESSORIES	
Black Enclosure Cover Screws (Pkg 100)	1591MS100BK
Gray Enclosure Cover Screws (Pkg 100)	1591MS100
P.C. Board Screws (All Boxes)	
P.C. Board Screws	1593ATS50 (Pkg 50)
#4 x 1/4" self-tapping (6.4mm)	1593ATS100 (Pkg 100)



2

1