

PRODUCT NUMBER
95293-XXX-XXLF

- RoHS COMPATIBLE, SEE NOTE 6
- TOTAL NB OF POSITIONS, 3 TO 17
- PACKAGING TYPE, NOTE 3

PLATING

- 1 = 0.76µm GOLD/GXT ON CONTACT AREA, 2µm MATTE TIN MIN ON TAILS
- 4 = 2.0µm MATTE TIN MIN FULL PLATED
- 5 = 0.25µm GOLD/GXT ON CONTACT AREA, 2µm MATTE TIN MIN ON TAILS
- 8 = 0.38µm GOLD/GXT ON CONTACT AREA, 2µm MATTE TIN MIN ON TAILS
- 1.27µm NICKEL MIN UNDERLAYER FOR ALL PLATING VERSIONS

CATALOGUE RANGE	
PIN STYLE	MATING
01	5.84
02	8.08

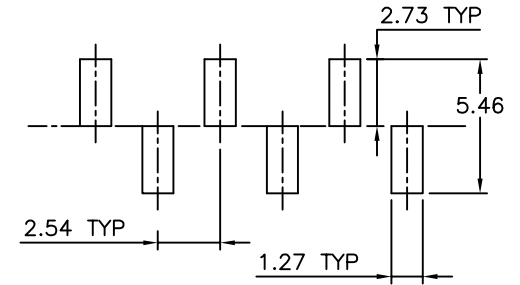
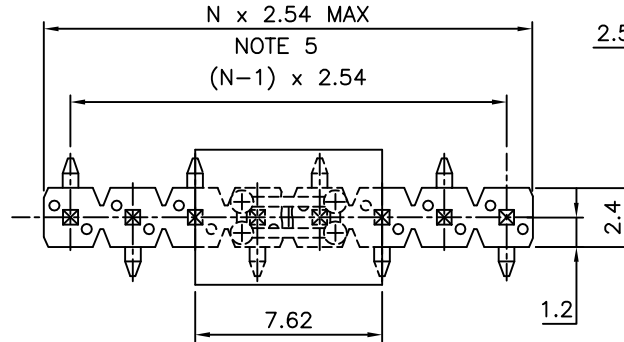
APPLICATION SPECIFIC	
PIN STYLE	MATING
05	9.60
06	3.00

NOTES:

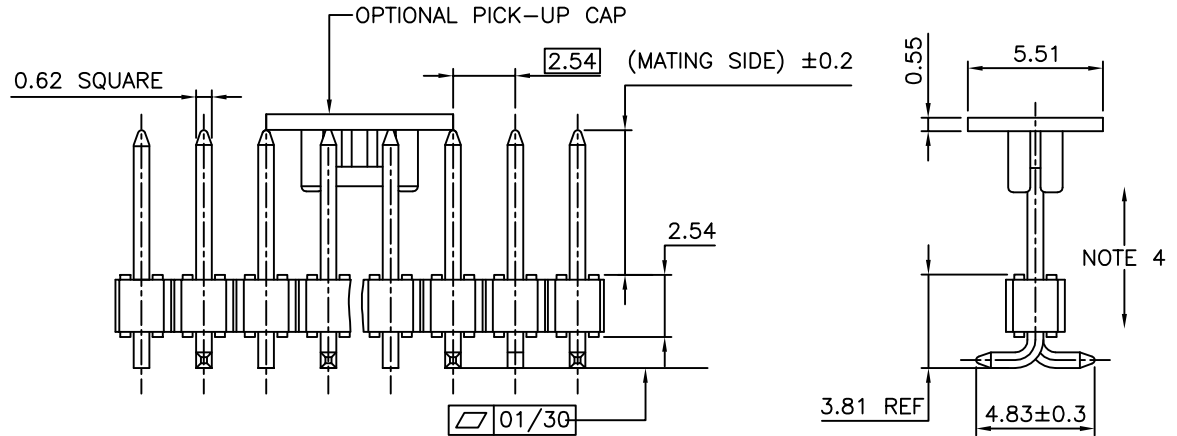
- 1 - HOUSING MAT'L : HIGH TEMPERATURE THERMOPLASTIC. UL94V-0 COLOR: BLACK
- 2 - PIN MATERIAL : PHOSPHOR BRONZE
- 3 - PACKAGING
 - = POLY BAGS
 - B = TUBE + CAP
 - A = TAPE & REEL + CAP, AS AVAILABLE
- 4 - 9N MIN RETENTION IN EITHER DIRECTION
- 5 - TO DETERMINE DIMENSIONS :
N = NUMBER OF POSITIONS
EXAMPLE : 8 POS N x 2.54 = 20.32mm

6. RoHS COMPATIBLE PRODUCT SPECIFICATIONS

- a - PLATING:
 - "LF" MEANS THE PRODUCT IS LEAD-FREE, 2µm MINIMUM MATTE TIN OVER 1.27µm MINIMUM NICKEL UNDERPLATE.
- b - MANUFACTURING PROCESS COMPATIBILITY
 - THE HOUSING WILL WITHSTAND EXPOSURE TO 260°C PEAK TEMPERATURE FOR 30 SECONDES IN A CONVECTION, INFRA-RED OR VAPOR PHASE REFLOW OVEN.
- c - LABELING:
 - MEETS PACKAGING SPECS AS PER GS-14-920
- d - LEGAL STATEMENT: SEE GS-47-0004



RECOMMENDED PAD LAYOUT



mat'l. code SEE NOTES		surface ISO 1302	tolerance ISO 406 ISO 1101	projection mm	product family BERGSTIK
ltr	ecn no	dr	date	tolerances unless otherwise specified	title
P	B-18983	LMU	14.10.03	angles linear x.x ±0.3	UNSHR.HEADER SR SMT
R	B-20569	AMA	15.03.26	x.xx ±0.13	
S	F-23055	AMA	16.01.15	or ±2' x.xxx ±0.05	scale 5:1
T	F-25587	LMU	16.12.08	dr D.LE engr JM.C	Amphenol FCI
M	F08-0148	RTR	08.03.31	chr JM.C	dwg no
N	F10-0207	JCO	10.09.09	appd JF.N	sheet 1 of 1
sheet index	revision sheet				size A3
					type CUSTOMER Drawing