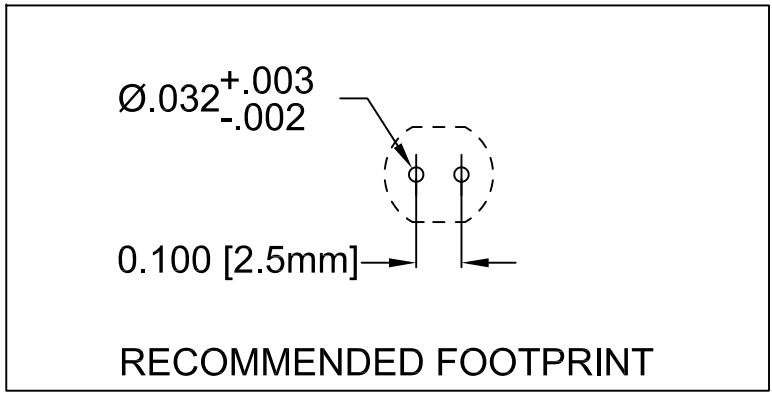
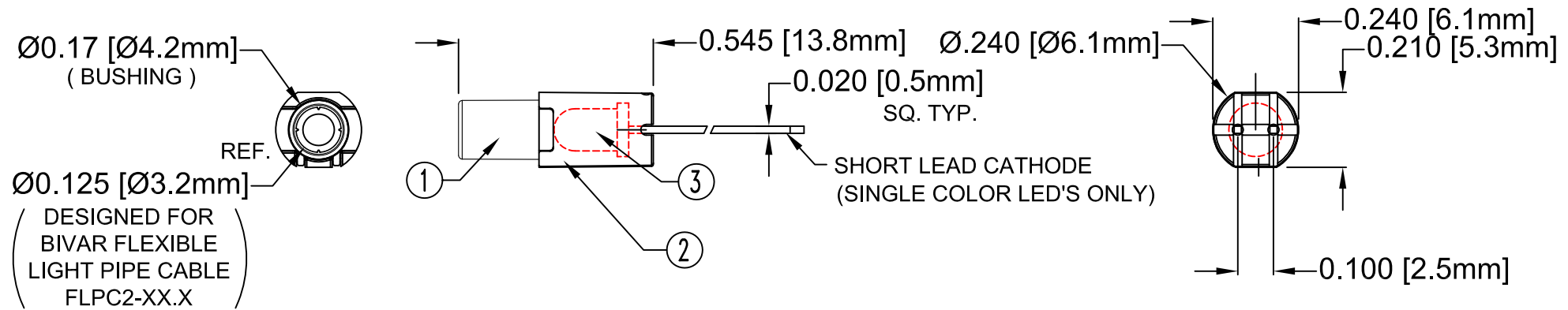


ITEM	Q'TY	PART NUMBER	PART DESCRIPTION
1	1	PML3-3	FLEXIBLE LIGHT-PIPE HOLDER, BUSHING
2	1	PML3-2	FLEXIBLE LIGHT-PIPE HOLDER, BODY
3	1	3XX-XX-F	T-1 (3mm) LED FLANGED, SEE PAGE 2.

REV.	DESCRIPTION	DATE	APPROVED
A	Engineering Release.	09/14/09	T. Y.
B	Replaced 3UWC-0.6K-F with 3UWC1.035C-F	04/08/13	T. Y.



SHORT LEAD CATHODE	LED PART NO.	LONG LEAD CATHODE
RED	3xBCC-F	GREEN
YELLOW	3xBCC-Y/G-F	GREEN
RED	3xBCC-R/Y-F	YELLOW
AMBER	3xBCC-A/G-F	GREEN

ABSOLUTE MAXIMUM RATINGS (Ta = 25°C)

REVERSE VOLTAGE	5V
REVERSE CURRENT (VR=5V)	100µA
OPERATING TEMPERATURE RANGE	-25°C ~ 85°C
STORAGE TEMPERATURE	-30°C ~ 100°C
LEAD SOLDERING TEMPERATURE (1/16" FROM BODY)	260°C for 5 Seconds

STANDARD TOLERANCE (UNLESS OTHERWISE SPECIFIED)		 4 THOMAS, IRVINE, CA. 92618 TEL: (949) 951-8808 FAX: (949) 951-3974	
DECIMALS	ANGULAR		
.X ± .1	X° ± 1°		
.XX ± .02		 TITLE: FLEXIBLE LIGHT PIPE 2mm ADAPTER, VERTICAL, W/LED	
.XXX ± .010			
DESIGNED: Raffy Paje	DATE: 09/14/09	PART NO: FLPV2-XX	REVISION: B
CHECKED: F. Jensen	DATE: 09/14/09	CAGE CODE: 32559	SHEET # 1 OF 2
CAD GENERATED DOCUMENT, DO NOT MEASURE DRAWING.			

REV.	DESCRIPTION	DATE	APPROVED
	SEE SHEET#1		



SINGLE COLOR ASSEMBLIES

Assembly Part No.	Emitted Color	LED Part No.
FLPV2-SA	AMBER	3SAC-F
FLPV2-UBW	BLUE	3UBWC-0.6K-F
FLPV2-SG	GREEN	3SGC-F
FLPV2-UG	GREEN	3UGC-F
FLPV2-SUG	GREEN	3SUGC-F
FLPV2-UO	ORANGE	3UOC-F
FLPV2-SUO	ORANGE	3SUOC-F
FLPV2-SR	RED	3SRC-F
FLPV2-UR	RED	3URC-F
FLPV2-SUR	RED	3SURC-F
FLPV2-UT	TURQUOISE	3UTC-F
FLPV2-SY	YELLOW	3SYC-F
FLPV2-UY	YELLOW	3UYC-F
FLPV2-SUY	YELLOW	3SUYC-F
FLPV2-UUY	YELLOW	3UUYC-F
FLPV2-UW	WHITE	3UWC1.035C-F

BI-COLOR ASSEMBLIES

Assembly Part No.	Emitted Color	LED Part No.
FLPV2-BC	HE RED	3BCC-F
	GREEN	
FLPV2-YG	YELLOW	3BCC-Y/G-F
	GREEN	
FLPV2-RY	YELLOW	3BCC-R/Y-F
	HE RED	
FLPV2-AG	AMBER	3BCC-A/G-F
	GREEN	
FLPV2-SBC	SUPER RED	3SBCC-F
	HE GREEN	
FLPV2-SYG	SUPER YELLOW	3SBCC-Y/G-F
	HE GREEN	
FLPV2-SRY	SUPER RED	3SBCC-R/Y-F
	SUPER YELLOW	

NOTES:
1. REFERENCE LED PRINTS FOR OPTICAL/ELECTRICAL SPECIFICATIONS

STANDARD TOLERANCE (UNLESS OTHERWISE SPECIFIED)		 BIVAR [®] 4 THOMAS, IRVINE, CA, 92618 TEL: (949) 951-8808 FAX: (949) 951-3974	
DECIMALS	ANGULAR		
		TITLE: FLEXIBLE LIGHT PIPE 2mm ADAPTER, VERTICAL, W/LED	
		DESIGNED: Raffy Paje	DATE: 09/14/09
CHECKED: F. Jensen	DATE: 09/14/09	CAGE CODE : 32559	SHEET # 2 OF 2
CAD GENERATED DOCUMENT, DO NOT MEASURE DRAWING.			