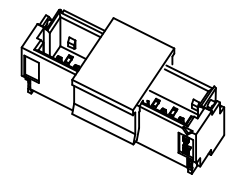
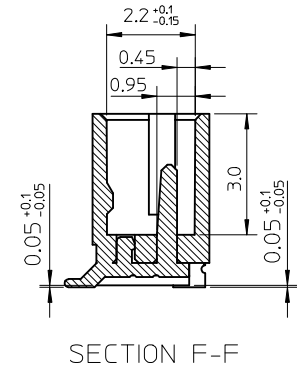
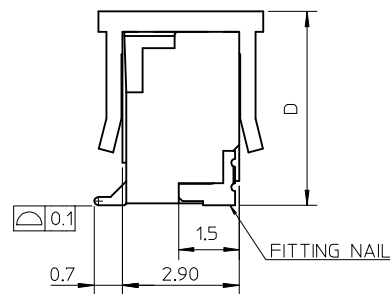
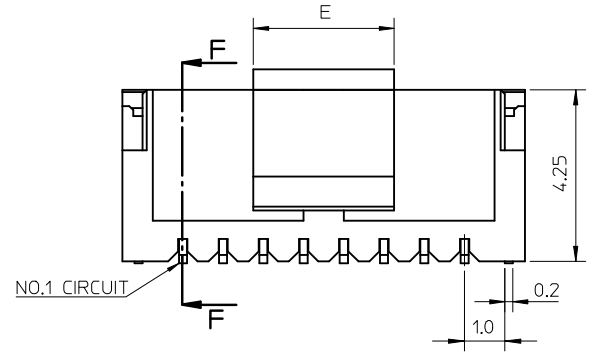
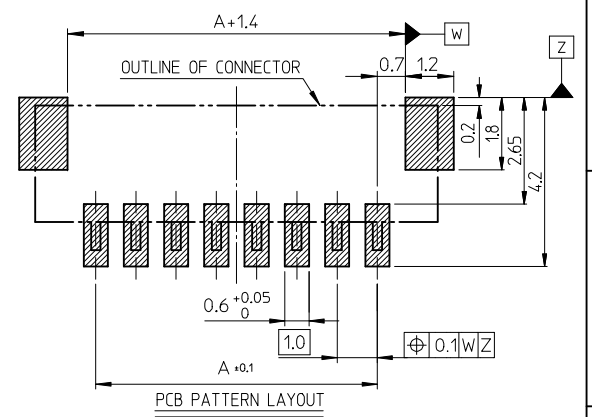
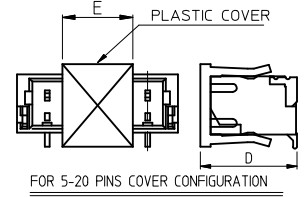
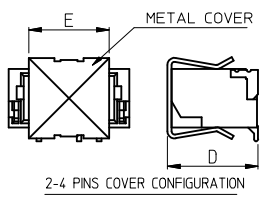
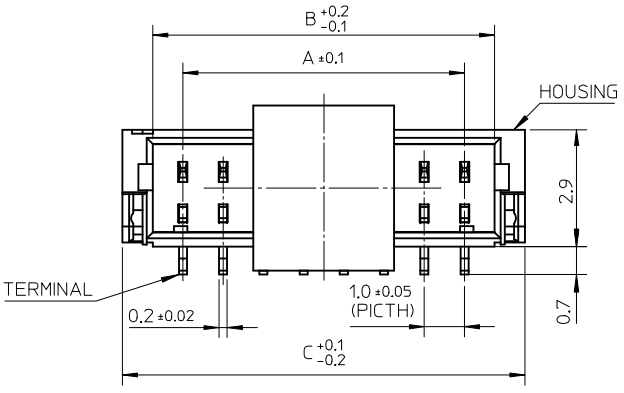


10 9 8 7 6 5 4 3 2 1



NOTES:
 1.COPLANARITY IS 0.1 mm MAX.
 2.MATERIAL : HOUSING: FOR 48226-XXX1 & 48226-XXX2
 NYLON, GLASS FILLED,UL 94V-0,
 COLOR: SEE TABLE
 FOR 48226-XXX3
 LCP, HALOGEN FREE,
 40% GLASS FILLED,UL 94V-0,
 COLOR: SEE TABLE
 TERMINAL: COPPER ALLOY
 FITTING NAIL: COPPER ALLOY
 PICK AND PLACE COVER :
 (FOR 2~4 PINS) COPPER ALLOY
 (FOR 5~20 PINS) NYLON, GLASS FILLED, UL94V-0,
 COLOR: NATURE(WHITE)

3.FINISHES :
 TERMINAL: SEE TABLE
 FITTING NAIL: SEE TABLE
 PICK AND PLACE COVER (FOR 2~4 PINS): NICKEL PLATED.
 4.PRODUCT SPECIFICATION REFER TO PS-48226-001
 5.PACKAGING DRAWING REFER TO PK-48226-001
 6.TEST SUMMARY REFER TO TS-48226-001
 7.APPLICABLE PLUG HOUSING: 48228 SERIES.
 8.LEAD-FREE AND RoHS COMPLIANT PRODUCT

REVISE	EC NO: SH2014-0549	2014/06/20	QUALITY SYMBOLS	GENERAL TOLERANCES (UNLESS SPECIFIED)		DIMENSION STYLE		SCALE	DESIGN UNITS	THIRD ANGLE PROJECTION
	DRWN:FYANG05	2014/07/15		mm	INCH	MM ONLY	8:1	METRIC		
REV	CHKD:	APPR:RZHANG	$\nabla_A = 0$ $\nabla_B = 0$ $\nabla_C = 0$	4 PLACES	± ---	± ---	DRAWN BY	DATE	TITLE	
				3 PLACES	± ---	± ---	BERNIE	2005/11/04		1.0 MM WTB VERTICAL HEADER SMT TYPE
				2 PLACES	± 0.25	± ---	CHECKED BY	DATE	MOLEX INCORPORATED	
				1 PLACE	± 0.25	± ---	ERIC KAO	2005/11/04		
				ANGULAR ± 3 °			APPROVED BY	DATE	DOCUMENT NO.	
				DRAFT WHERE APPLICABLE MUST REMAIN WITHIN DIMENSIONS			RZHANG	2010/04/14		
				SEE TABLE			MATERIAL NO.		SHEET NO.	
				THIS DRAWING CONTAINS INFORMATION THAT IS PROPRIETARY TO MOLEX INCORPORATED AND SHOULD NOT BE USED WITHOUT WRITTEN PERMISSION						

9 8 7 6 5 4 3 2 1

MOLEX PART NO.	HOUSING COLOR&MATERIAL	TERMINAL PLATING	FITTING NAIL PLATING	DIMA	DIMB	DIMC	DIMD	DIME	CKT	COVER MATERIAL
48226-0201	NATURE(WHITE) NYLON	GOLD FLASH OVER ALL THICKNESS : 0.025 MICROMETER MINIMUM NICKEL UNDER PLATED OVER ALL	GOLD FLASH OVER ALL THICKNESS : 0.025 MICROMETER MINIMUM NICKEL UNDER PLATED OVER ALL	1.0	2.4	4.0	4.5	4.0	2	COPPER ALLOY
48226-0301				2.0	3.4	5.0			3	
48226-0302	BLACK NYLON			3.0	4.4	6.0			4	
48226-0401	NATURE(WHITE) NYLON			4.0	5.4	7.0			4.8	
48226-0501				5.0	6.4	8.0	6			
48226-0601				6.0	7.4	9.0	7			
48226-0701				7.0	8.4	10.0	8			
48226-0801				8.0	9.4	11.0	9			
48226-0901				9.0	10.4	12.0	10			
48226-1001				10.0	11.4	13.0	11			
48226-1101				11.0	12.4	14.0	12			
48226-1201				12.0	13.4	15.0	13			
48226-1301				13.0	14.4	16.0	14			
48226-1401				14.0	15.4	17.0	15			
48226-1501				15.0	16.4	18.0	16			
48226-1601				16.0	17.4	19.0	17			
48226-1701				17.0	18.4	20.0	18			
48226-1801				18.0	19.4	21.0	19			
48226-1901				19.0	20.4	22.0	20			
48226-0211	NATURE(WHITE) NYLON			TIN PLATED (MATTE) OVER ALL THICKNESS : 2.54 MICROMETER MINIMUM NICKEL UNDER PLATED OVER ALL	TIN PLATED (MATTE) OVER ALL THICKNESS : 2.54 MICROMETER MINIMUM NICKEL UNDER PLATED OVER ALL	1.0	2.4	4.0	4.5	4.0
48226-0311	BLACK NYLON	2.0	3.4			5.0	3			
48226-0312	BLACK NYLON	3.0	4.4			6.0	4			
48226-0511	NATURE(WHITE) NYLON	4.0	5.4			7.0	4.8	3.5	5	NYLON UL94 V-0
48226-0611		5.0	6.4			8.0			6	
48226-0711		6.0	7.4			9.0			7	
48226-0811		7.0	8.4			10.0			8	
48226-0911		8.0	9.4			11.0			9	

REVISE EC NO: SH2014-0549 DRW:FWYANG05 2014/06/20 CHKD: APPR:RZHANG 2014/07/15	QUALITY SYMBOLS	GENERAL TOLERANCES (UNLESS SPECIFIED)	DIMENSION STYLE	SCALE	DESIGN UNITS	THIRD ANGLE PROJECTION	
	$\nabla_F=0$ $\nabla_F=0$ $\nabla_F=0$	mm INCH 4 PLACES ± --- ± --- 3 PLACES ± --- ± --- 2 PLACES ± 0.25 ± --- 1 PLACE ± 0.25 ± --- ANGULAR ± 3 °	MM ONLY	1:1	METRIC		
		DRAFT WHERE APPLICABLE MUST REMAIN WITHIN DIMENSIONS	DRAWN BY: BERNIE DATE: 2005/11/04 CHECKED BY: ERIC KAO DATE: 2005/11/04 APPROVED BY: RZHANG DATE: 2010/04/14	TITLE	1.0 MM WTB VERTICAL HEADER SMT TYPE		
			SEE TABLE	MATERIAL NO.	DOCUMENT NO.	MOLEX INCORPORATED SD-48226-001	

MOLEX PART NO.	HOUSING COLOR&MATERIAL	TERMINAL PLATING	FITTING NAIL PLATING	DIMA	DIMB	DMC	DMD	DIME	CKT	COVER MATERIAL			
48226-1011	NATURE(WHITE) NYLON	TIN PLATED (MATTE) OVER ALL THICKNESS : 2.54 MICROMETER MINIMUM NICKEL UNDER PLATED OVER ALL	TIN PLATED (MATTE) OVER ALL THICKNESS : 2.54 MICROMETER MINIMUM NICKEL UNDER PLATED OVER ALL	9.0	10.4	12.0	4.8	3.5	10	NYLON UL94 V-0			
48226-1111				10.0	11.4	13.0			11				
48226-1211				11.0	12.4	14.0			12				
48226-1311				12.0	13.4	15.0			13				
48226-1411				13.0	14.4	16.0			14				
48226-1511				14.0	15.4	17.0			15				
48226-1611				15.0	16.4	18.0			16				
48226-1711				16.0	17.4	19.0			17				
48226-1811				17.0	18.4	20.0			18				
48226-1911				18.0	19.4	21.0			19				
48226-2011	19.0	20.4	22.0	20									
48226-0221	NATURE(WHITE) NYLON	TIN PLATED (BRIGHT) OVER ALL THICKNESS : 0.025 MICROMETER MINIMUM NICKEL UNDER PLATED OVER ALL	TIN PLATED (BRIGHT) OVER ALL THICKNESS : 0.025 MICROMETER MINIMUM NICKEL UNDER PLATED OVER ALL	1.0	2.4	4.0	4.5	4.0	2	COPPER ALLOY			
48226-0321	BLACK NYLON			2.0	3.4	5.0			3				
48226-0322				3.0	4.4	6.0			4				
48226-0421	NATURE(WHITE) NYLON			4.0	5.4	7.0			4.8		3.5	5	NYLON UL94 V-0
48226-0521				5.0	6.4	8.0						6	
48226-0621				6.0	7.4	9.0						7	
48226-0721				7.0	8.4	10.0						8	
48226-0821				8.0	9.4	11.0						9	
48226-0921				9.0	10.4	12.0						10	
48226-1021				10.0	11.4	13.0						11	
48226-1121		11.0	12.4	14.0	12								
48226-1221		12.0	13.4	15.0	13								
48226-1321		13.0	14.4	16.0	14								
48226-1421	14.0	15.4	17.0	15									
48226-1521	15.0	16.4	18.0	16									
48226-1621	16.0	17.4	19.0	17									
48226-1721	17.0	18.4	20.0	18									
48226-1821	18.0	19.4	21.0	19									
48226-1921	19.0	20.4	22.0	20									

REVISE EC NO: SH2014-0549 DRWN: FYANG05 2014/06/20 CHKD: CHYD APPR: RZHANG 2014/07/15 REV	QUALITY SYMBOLS $F_A=0$ $F_G=0$ $F_P=0$	GENERAL TOLERANCES (UNLESS SPECIFIED) mm INCH 4 PLACES ± --- ± --- 3 PLACES ± --- ± --- 2 PLACES ± 0.25 ± --- 1 PLACE ± 0.25 ± --- ANGULAR ± 3 °	DIMENSION STYLE MM ONLY DRAWN BY: BERNIE DATE: 2005/11/04 CHECKED BY: ERIC KAO DATE: 2005/11/04 APPROVED BY: RZHANG DATE: 2010/04/14	SCALE: 1:1 DESIGN UNITS: METRIC THIRD ANGLE PROJECTION	TITLE: 1.0 MM WTB VERTICAL HEADER SMT TYPE
	DRAFT WHERE APPLICABLE MUST REMAIN WITHIN DIMENSIONS		MATERIAL NO. SEE TABLE SIZE: A3	MOLEX INCORPORATED DOCUMENT NO. SD-48226-001	SHEET NO. 3 OF 5
	THIS DRAWING CONTAINS INFORMATION THAT IS PROPRIETARY TO MOLEX INCORPORATED AND SHOULD NOT BE USED WITHOUT WRITTEN PERMISSION				
	REV. F 2009/06/18				

MOLEX PART NO.	HOUSING COLOR&MATERIAL	TERMINAL PLATING	FITTING NAIL PLATING	DIMA	DIMB	DIMC	DIMD	DIME	CKT	COVER MATERIAL	
48226-0203	BLACK LCP HALOGEN FREE	GOLD FLASH OVER ALL THICKNESS : 0.025 MICROMETER MINIMUM NICKEL UNDER PLATED OVER ALL	GOLD FLASH OVER ALL THICKNESS : 0.025 MICROMETER MINIMUM NICKEL UNDER PLATED OVER ALL	1.0	2.4	4.0	4.5	4.0	2	COPPER ALLOY	
48226-0303				2.0	3.4	5.0			3		
48226-0403				3.0	4.4	6.0			4		
48226-0503				4.0	5.4	7.0	4.8	3.5	5		NYLON UL94 V-0
48226-0603				5.0	6.4	8.0			6		
48226-0703				6.0	7.4	9.0			7		
48226-0803				7.0	8.4	10.0			8		
48226-0903				8.0	9.4	11.0			9		
48226-1003				9.0	10.4	12.0			10		
48226-1103				10.0	11.4	13.0			11		
48226-1203				11.0	12.4	14.0			12		
48226-1303				12.0	13.4	15.0			13		
48226-1403				13.0	14.4	16.0			14		
48226-1503				14.0	15.4	17.0			15		
48226-1603				15.0	16.4	18.0			16		
48226-1703				16.0	17.4	19.0			17		
48226-1803				17.0	18.4	20.0			18		
48226-1903				18.0	19.4	21.0			19		
48226-2003				19.0	20.4	22.0			20		
48226-0213				BLACK LCP HALOGEN FREE	TIN PLATED (MATTE) OVER ALL THICKNESS : 2.54 MICROMETER MINIMUM NICKEL UNDER PLATED OVER ALL	TIN PLATED (MATTE) OVER ALL THICKNESS : 2.54 MICROMETER MINIMUM NICKEL UNDER PLATED OVER ALL	1.0	2.4	4.0	4.5	
48226-0313	2.0	3.4	5.0				3				
48226-0413	3.0	4.4	6.0				4				
48226-0513	4.0	5.4	7.0				4.8	3.5	5	NYLON UL94 V-0	
48226-0613	5.0	6.4	8.0						6		
48226-0713	6.0	7.4	9.0						7		
48226-0813	7.0	8.4	10.0						8		
48226-0913	8.0	9.4	11.0						9		

REVISE IEC NO: SH2014-0549 TDRWNYANG05 2014/06/20 CHKD: APPR:RZHANG 2014/07/15	QUALITY SYMBOLS	GENERAL TOLERANCES (UNLESS SPECIFIED)	DIMENSION STYLE	SCALE	DESIGN UNITS	THIRD ANGLE PROJECTION
	$\nabla_A = 0$ $\nabla_B = 0$ $\nabla_C = 0$	mm INCH	MM ONLY	1:1	METRIC	
		4 PLACES ± --- ± ---	DRAWN BY DATE	TITLE		
		3 PLACES ± --- ± ---	CHECKED BY DATE	1.0 MM WTB VERTICAL HEADER SMT TYPE		
	2 PLACES ± 0.25 ± ---	APPROVED BY DATE	MOLEX INCORPORATED			
	1 PLACE ± 0.25 ± ---	MATERIAL NO.	DOCUMENT NO.			
	ANGULAR ± 3 °	SEE TABLE	SD-48226-001			
	DRAFT WHERE APPLICABLE MUST REMAIN WITHIN DIMENSIONS	THIS DRAWING CONTAINS INFORMATION THAT IS PROPRIETARY TO MOLEX INCORPORATED AND SHOULD NOT BE USED WITHOUT WRITTEN PERMISSION	SHEET NO. 4 OF 5			

MOLEX PART NO.	HOUSING COLOR&MATERIAL	TERMINAL PLATING	FITTING NAIL PLATING	DIMA	DIMB	DIMC	DIMD	DIME	CKT	COVER MATERIAL
48226-1013	BLACK LCP HALOGEN FREE	TIN PLATED (MATTE) OVER ALL THICKNESS : 2.54 MICROMETER MINIMUM NICKEL UNDER PLATED OVER ALL	TIN PLATED (MATTE) OVER ALL THICKNESS : 2.54 MICROMETER MINIMUM NICKEL UNDER PLATED OVER ALL	9.0	10.4	12.0	4.8	3.5	10	NYLON UL94 V-0
48226-1113				10.0	11.4	13.0			11	
48226-1213				11.0	12.4	14.0			12	
48226-1313				12.0	13.4	15.0			13	
48226-1413				13.0	14.4	16.0			14	
48226-1513				14.0	15.4	17.0			15	
48226-1613				15.0	16.4	18.0			16	
48226-1713				16.0	17.4	19.0			17	
48226-1813				17.0	18.4	20.0			18	
48226-1913				18.0	19.4	21.0			19	
48226-2013	19.0	20.4	22.0	20						
48226-0223	BLACK LCP HALOGEN FREE	TIN PLATED (BRIGHT) OVER ALL THICKNESS : 0.025 MICROMETER MINIMUM NICKEL UNDER PLATED OVER ALL	TIN PLATED (BRIGHT) OVER ALL THICKNESS : 0.025 MICROMETER MINIMUM NICKEL UNDER PLATED OVER ALL	1.0	2.4	4.0	4.5	4.0	2	COPPER ALLOY
48226-0323				2.0	3.4	5.0			3	
48226-0423				3.0	4.4	6.0			4	
48226-0523				4.0	5.4	7.0			5	
48226-0623				5.0	6.4	8.0			6	
48226-0723				6.0	7.4	9.0			7	
48226-0823				7.0	8.4	10.0			8	
48226-0923				8.0	9.4	11.0			9	
48226-1023				9.0	10.4	12.0			10	
48226-1123				10.0	11.4	13.0			11	
48226-1223	11.0	12.4	14.0	12	4.8	3.5	NYLON UL94 V-0			
48226-1323	12.0	13.4	15.0	13						
48226-1423	13.0	14.4	16.0	14						
48226-1523	14.0	15.4	17.0	15						
48226-1623	15.0	16.4	18.0	16						
48226-1723	16.0	17.4	19.0	17						
48226-1823	17.0	18.4	20.0	18						
48226-1923	18.0	19.4	21.0	19						
48226-2023	19.0	20.4	22.0	20						

REVISE IEC NO: SH2014-0549 T1 DRW: F YANG05 CHKD: APPR: RZHANG 2014/06/20 2014/07/15	QUALITY SYMBOLS	GENERAL TOLERANCES (UNLESS SPECIFIED)		DIMENSION STYLE MM ONLY		SCALE 1:1	DESIGN UNITS METRIC	THIRD ANGLE PROJECTION
	$F_A=0$	4 PLACES	mm	INCH	DRAWN BY BERNIE	DATE 2005/11/04	TITLE 1.0 MM WTB VERTICAL HEADER SMT TYPE	
	$F_G=0$	3 PLACES	± ---	± ---	CHECKED BY ERIC KAO	DATE 2005/11/04		
	$F_P=0$	2 PLACES	± 0.25	± ---	APPROVED BY RZHANG	DATE 2010/04/14	MOLEX INCORPORATED	
	1 PLACE	± 0.25	± ---	MATERIAL NO. SEE TABLE		DOCUMENT NO. SD-48226-001	SHEET NO. 5 OF 5	
	ANGULAR ± 3 °		DRAFT WHERE APPLICABLE MUST REMAIN WITHIN DIMENSIONS		THIS DRAWING CONTAINS INFORMATION THAT IS PROPRIETARY TO MOLEX INCORPORATED AND SHOULD NOT BE USED WITHOUT WRITTEN PERMISSION			