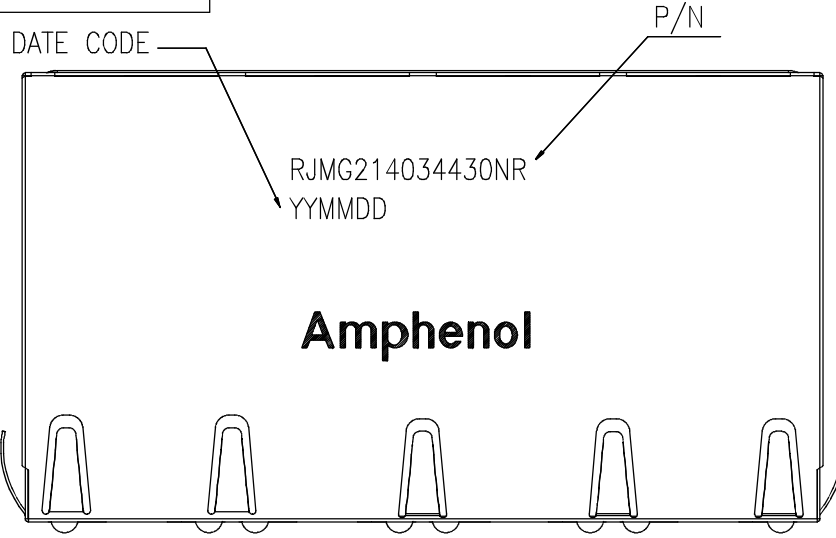


This document is the property of Amphenol Corporation and is delivered on the express condition that is not to be disclosed, reproduced or used, in whole or in part, for manufacture or sale by anyone other than Amphenol Corporation without its prior consent, and that no right is granted to disclose or to use any information in this document.

The marking on this product doesn't contain environmental hazardous materials per Material Specification SS-00259 for Sony GP compliant or per directive 2011/65/EU for RoHS compliant.

CUSTOMER DRAWING

| REVISIONS | | | | |
|-----------|---------|-------------|------------|------------|
| SYM | ECN No. | DESCRIPTION | DATE | APPROVED |
| AX1 | | NEW RELEASE | 01/09/2013 | Roger Tsai |



MATERIALS:

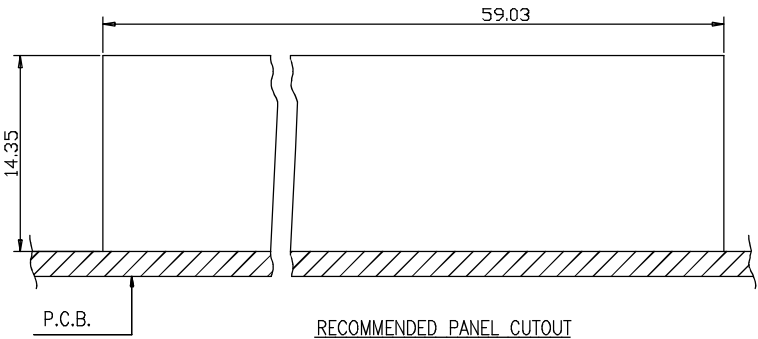
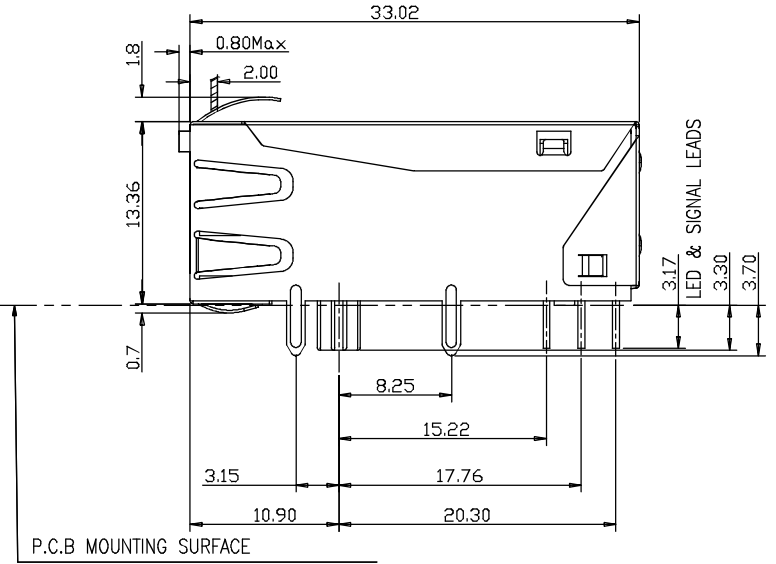
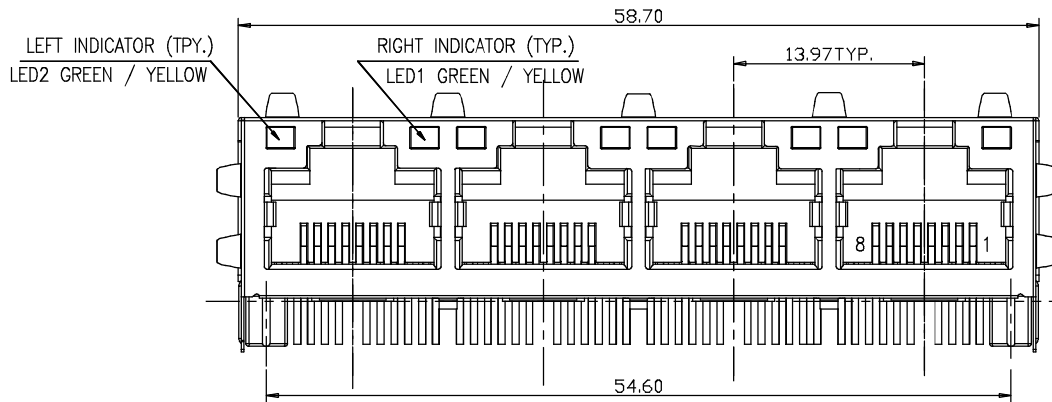
INSULATOR: THERMOPLASTIC
 COLOR: BLACK
 FLAMMABILITY RATING UL 94V-0
 CONTACTS (RJMAG): PHOSPHOR BRONZE
 PLATING: GOLD 30U" PLATING ON MATING SURFACES OR APPROVED EQUIVALENT GOLD FLASH OVER PdNi
 120 MICRONS PURE TIN ON TAILS.
 SHIELD: STAINLESS, THICKNESS=0.20mm
 DIMENSIONS MARKED WITH "*" SHALL BE MEASURED.

MECHANICAL FEATURES:

SOLDERABILITY: MIL-STD-202, METHOD 208.
 MEET FCC PART 68.500 REQUIREMENTS.
 PACKAGING: 20PCS/PLASTIC TRAY, 10 TRAYS/CARTON

OTHERS:

1. Operating Temperature : 0°C TO +70°C
2. Storage Temperature : -40°C TO +85°C
3. WAVE SOLDERING TEMPERATURE: 260°C MAXIMUM FOR 10 SECONDS MAXIMUM.



| TOLERANCE | | APPROVALS | | DATE | TITLE | | Amphenol® | |
|----------------------------|-------|-----------|------------|--------------|---|--------|---|--|
| X. | ±0.35 | DRAWN | Devin Yen | 01/09/2013 | RJ45 1X4 1G TYPE WITH FILTER & LED OPTION | | Amphenol Corporation Amphenol Taiwan Corporation | |
| X.XX | ±0.25 | CHECKED | Lily Zhao | 01/09/2013 | | | | |
| X.XXX | ±0.15 | APPROVED | Roger Tsai | 01/09/2013 | | | | |
| ANGULAR ±1° | | DWG TYPE | | PROJECT CODE | UNIT | SIZE | PART No. | |
| UNLESS OTHERWISE SPECIFIED | | CUST DWG | | GT264 | mm | A3 | RJMGT214034430NR | |
| | | | | | SCALE | SHEET | DWG No. | |
| | | | | | NA | 1 OF 3 | RJMGT214034430NR | |
| | | | | | | | REV. AX1 | |

This document is the property of Amphenol Corporation and is delivered on the express condition that it is not to be disclosed, reproduced or used, in whole or in part, for manufacture or sale by anyone other than Amphenol Corporation without its prior consent, and that no right is granted to disclose or to use any information in this document.

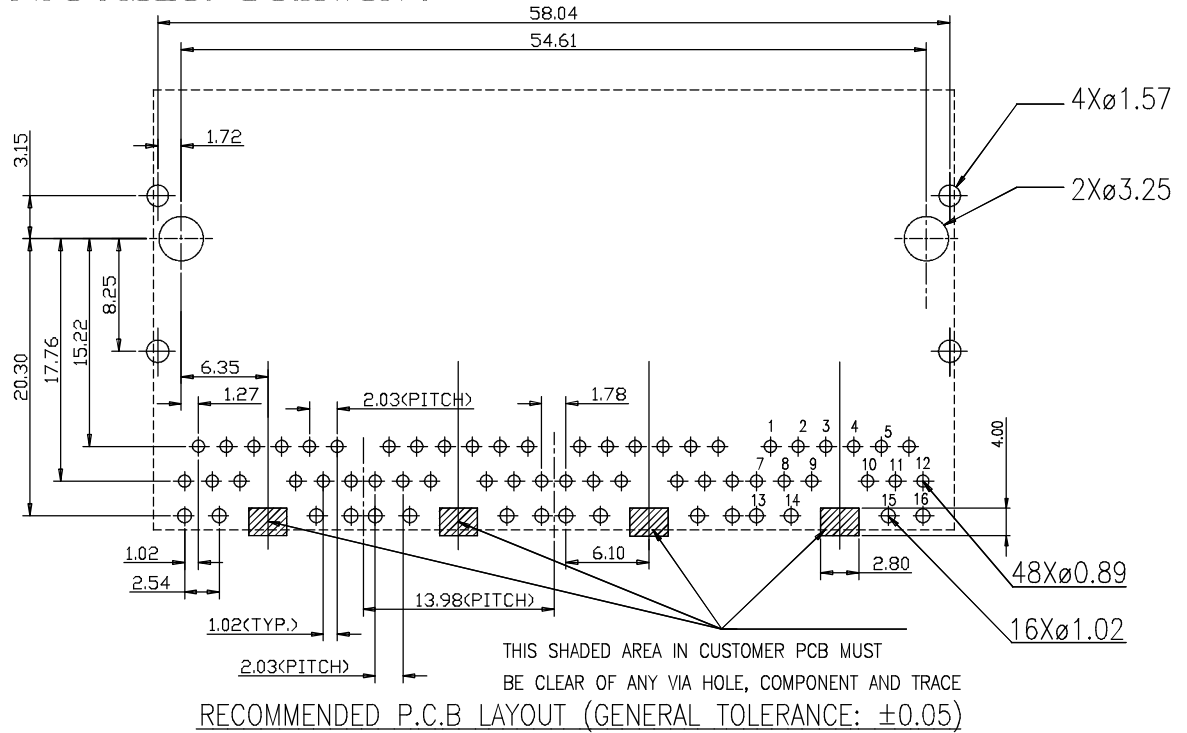
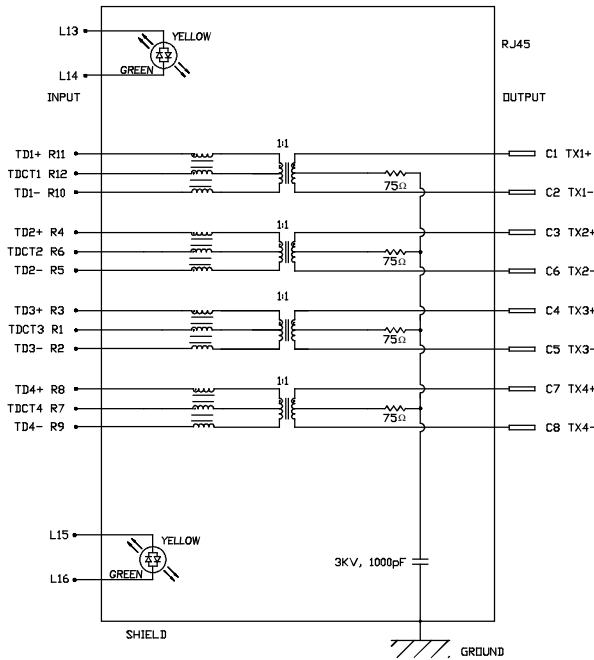
The marking on this product doesn't contain environmental hazardous materials per Material Specification SS-00259 for Sony GP compliant or per directive 2011/65/EU for RoHS compliant.

CUSTOMER DRAWING

| REVISIONS | | | | |
|-----------|---------|-------------|------------|------------|
| SYM | ECN No. | DESCRIPTION | DATE | APPROVED |
| AX1 | | NEW RELEASE | 01/09/2013 | Roger Tsai |



SCHEMATIC DRAWING



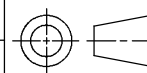
LED PERFORMANCE

| PARAMETER | SINGLE COLOUR | | BICOLOUR | | UNITS | |
|------------------------|---------------|---------|----------|---------|-------|------------|
| | GREEN | YELLOW | GREEN | YELLOW | | |
| FORWARD CURRENT IF MAX | 30 | 30 | 30 | 30 | mA | |
| REVERSE CURRENT IR MAX | 10 | 10 | 10 | 10 | µA | |
| REVERSE VOLTAGE VR MAX | -5 | -5 | -5 | -5 | V | |
| T OPERATURE | -40~+85 | -40~+85 | -40~+85 | -40~+85 | °C | |
| T SOLDERING | 260+/-5 | 260+/-5 | 260+/-5 | 260+/-5 | °C | |
| PEAK WAVELENGTH | 565 | 585 | 565 | 585 | nM | |
| FORWARD VOLTAGE TYP | 2.5 | 2.1 | 2.2 | 2.1 | 2.2 | (@IF=20mA) |
| FORWARD VOLTAGE MAX | 2.9 | 2.6 | 2.6 | 2.6 | 2.6 | (@IF=20mA) |

CONNECTOR PERFORMANCE

| PARAMETER | LIMITS (MAX. OR MIN.) | FREQUENCY RANGE/TEST CONDITIONS |
|---------------------|--|---------------------------------|
| INSERTION LOSS | -0.8dB MAX. -1.2dB MAX. | 0.1-100 MHz 100-125 MHz |
| RETURN LOSS | -16dB MIN. -10+20 log(f/80MHz)dB MIN. | 0.5-40 MHz 40-100 MHz |
| CM-CM REJECTION | -30dB MIN. | 100 KHz-100 MHz |
| CM-DM REJECTION | -35dB MIN. | 100 KHz-100 MHz |
| CROSSTALK ISOLATION | -30+20 log(f/100MHz)dB MIN. | 100 KHz-100 MHz |
| HIPOT (ISOLATION) | 1.5kVrms MIN. | 60S |
| OCL | 350uH MIN. | 100KHz 100mV 8mA |
| TURN RATIO | 1:1±5% | |

| TOLERANCE | APPROVALS | DATE | TITLE | | PART No. | |
|--|------------------------|-----------------------|---|-----------------|--|--|
| X. X.X ±0.35 X.XX ±0.25 X.XXX ±0.15 | DRAWN Devin Yen | 01/09/2013 | RJ45 1X4 1G TYPE WITH FILTER & LED OPTION | | Amphenol® Amphenol Corporation Amphenol Taiwan Corporation | |
| | CHECKED Lily Zhao | 01/09/2013 | | | | |
| | APPROVED Roger Tsai | 01/09/2013 | | | | |
| ANGULAR ±1° | DWG TYPE CUST DWG | PROJECT CODE GT264 | UNIT mm | SIZE A3 | RJMGM214034430NR | |
| UNLESS OTHERWISE SPECIFIED | | | SCALE NA | SHEET 2 OF 3 | RJMGM214034430NR | |



REV. AX1

This document is the property of Amphenol Corporation and is delivered on the express condition that is not to be disclosed, reproduced or used, in whole or in part, for manufacture or sale by anyone other than Amphenol Corporation without its prior consent, and that no right is granted to disclose or to use any information in this document.

The marking on this product doesn't contain environmental hazardous materials per Material Specification SS-00259 for Sony GP compliant or per directive 2011/65/EU for RoHS compliant.

CUSTOMER DRAWING

| REVISIONS | | | | |
|-----------|---------|-------------|------------|------------|
| SYM | ECN No. | DESCRIPTION | DATE | APPROVED |
| AX1 | | NEW RELEASE | 01/09/2013 | SunkyShang |

| PRODUCT | | TRAY PER PE BAG | PCS PER TRAY | PCS PER PE BAG | PCS PER MASTER CARTON |
|---------|-------|-----------------|--------------|----------------|-----------------------|
| SERIES | PORTS | | | | |
| GT264 | 1X4 | 5 | 20 | 100 | 200 |

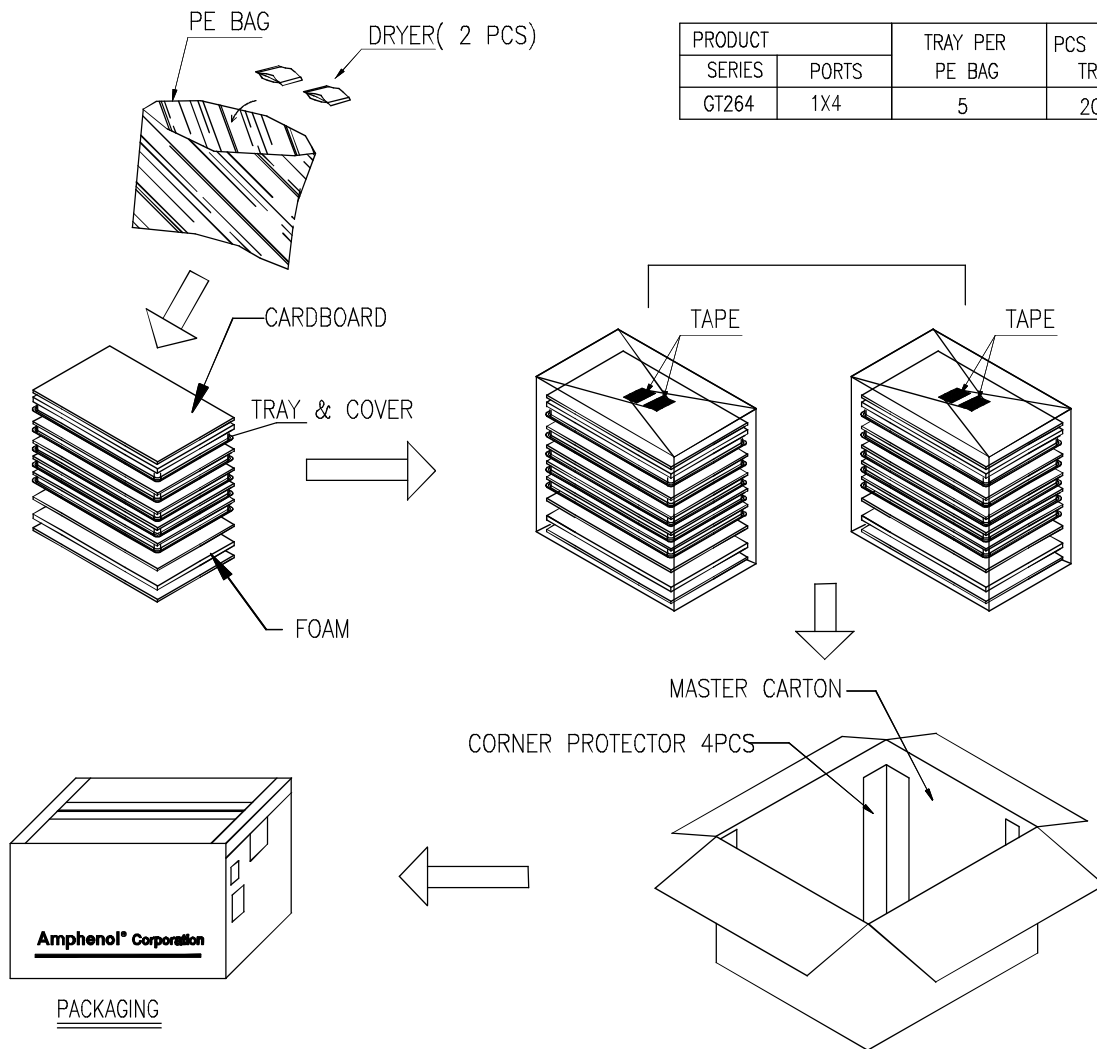


NOTES:

OUTER BOX(MASTER CARTON):
 A+B, 5LAYERS, K=K, 6.0±0.5MM THICKNESS.
 BREAK STRENGTH (P): 9Kg/cm² MINIMUM PER CNS(CD-1).
 INSPECTION LEVEL PER ML-STD-105D.

| MATERIAL | QTY(PCS) | DESCRIPTION |
|------------------|----------|-----------------------|
| TRAY | 10 | - |
| COVER | 10 | - |
| PE BAG | 2 | 1PCS PER INNER BOX |
| DRYER | 4 | 2PCS PER INNER BOX |
| OUTER BOX | 1 | 560X360X188 MM |
| FOAM | 4 | 2 PCS PER INNER BOX |
| CARDBOARD | 12~16 | 6~8 PCS PER INNER BOX |
| CORNER PROTECTOR | 4 | 4 PCS IN OUTER BOX |

* The Cardboard QTY depend on the packing status(loose or tight).



| TOLERANCE | APPROVALS | DATE | TITLE | | PART No. | |
|----------------------------|---------------------|--------------------|---|--------------|--|--|
| X. ±0.35 | DRAWN Devin Yen | 01/09/2013 | RJ45 1X4 1G TYPE WITH FILTER & LED OPTION | | Amphenol [®] Amphenol Corporation Amphenol Taiwan Corporation | |
| X.X ±0.25 | CHECKED Lily Zhao | 01/09/2013 | | | | |
| X.XXX ±0.15 | APPROVED Roger Tsai | 01/09/2013 | | | | |
| ANGULAR ±1° | DWG TYPE CUST DWG | PROJECT CODE GT264 | UNIT mm | SIZE A3 | RJMGT214034430NR | |
| UNLESS OTHERWISE SPECIFIED | | | SCALE NA | SHEET 3 OF 3 | RJMGT214034430NR | |
| | | | | | REV. AX1 | |