

Easy Bee3™

Manual

All Mikroelektronika's development systems feature a large number of peripheral modules expanding microcontroller's range of application and making the process of program testing easier. In addition to these modules, it is also possible to use numerous additional modules linked to the development system through the I/O port connectors. Some of these additional modules can operate as stand-alone devices without being connected to the microcontroller.

Additional Board

 **MikroElektronika**

SOFTWARE AND HARDWARE SOLUTIONS FOR EMBEDDED WORLD ...making it simple

Easy Bee3 Additional Board

The *Easy Bee3* additional board is used for wireless communication at short distances and with low power consumption. Wireless communication is enabled due to a ZigBee module MRF24J40MA provided on the *Easy Bee3* board. Some of the key features of this module are: data rate up to 250kbps, 2.4GHz operating frequency, power consumption ~20mA, up to 120 m range, etc. Connection between the additional board and a microcontroller is established via a 2x5 female connector supplied on the additional board and a 2x5 male connector on the development system. Communication between them is performed via a Serial Peripheral Interface (SPI). Since the additional board may be connected to different development systems, it is necessary to select the appropriate microcontroller pins to be used for SPI communication. DIP switches SW1 and SW2 on the additional board are used for this purpose. The bottom of the board provides a table indicating which switches on the DIP switches SW1 and SW2 should be used depending on the development system in use, Figure 2.

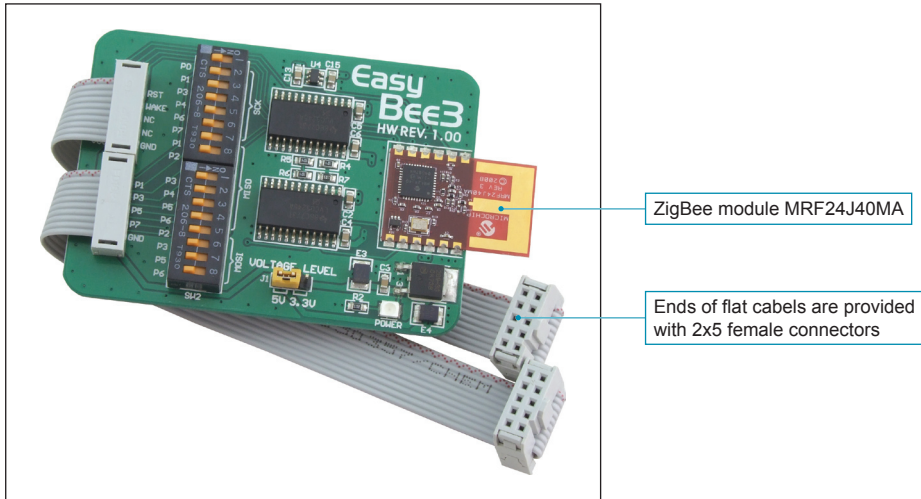


Figure 1: Easy Bee3 additional board

The ZigBee module requires the 3.3V power supply voltage for its operation. Since different development systems require different voltage levels, it is necessary to adjust the additional board's voltage level to the development system's voltage level. It is performed by a voltage regulator supplied on the additional board. Jumper J1 is used to select power supply voltage for the additional board. If the board is connected to a 5V development system, it is necessary to place jumper J1 in the 5V position. For 3.3V development systems, jumper J1 should be placed in the 3.3V position. In addition to the voltage level adjustment, it is also necessary to adjust voltage signals provided by the ZigBee module. The additional board features transceivers 74LVCC3245 and 74LVC1T45 that serves as voltage level translators.

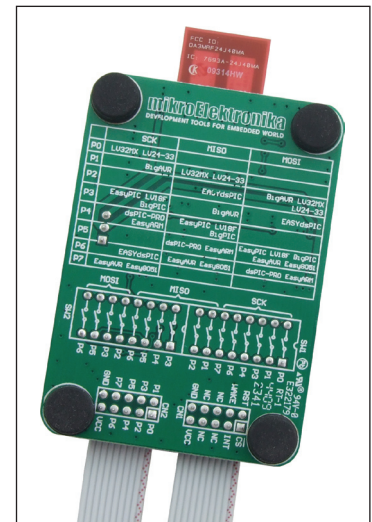


Figure 2: Back of the Easy Bee3 board

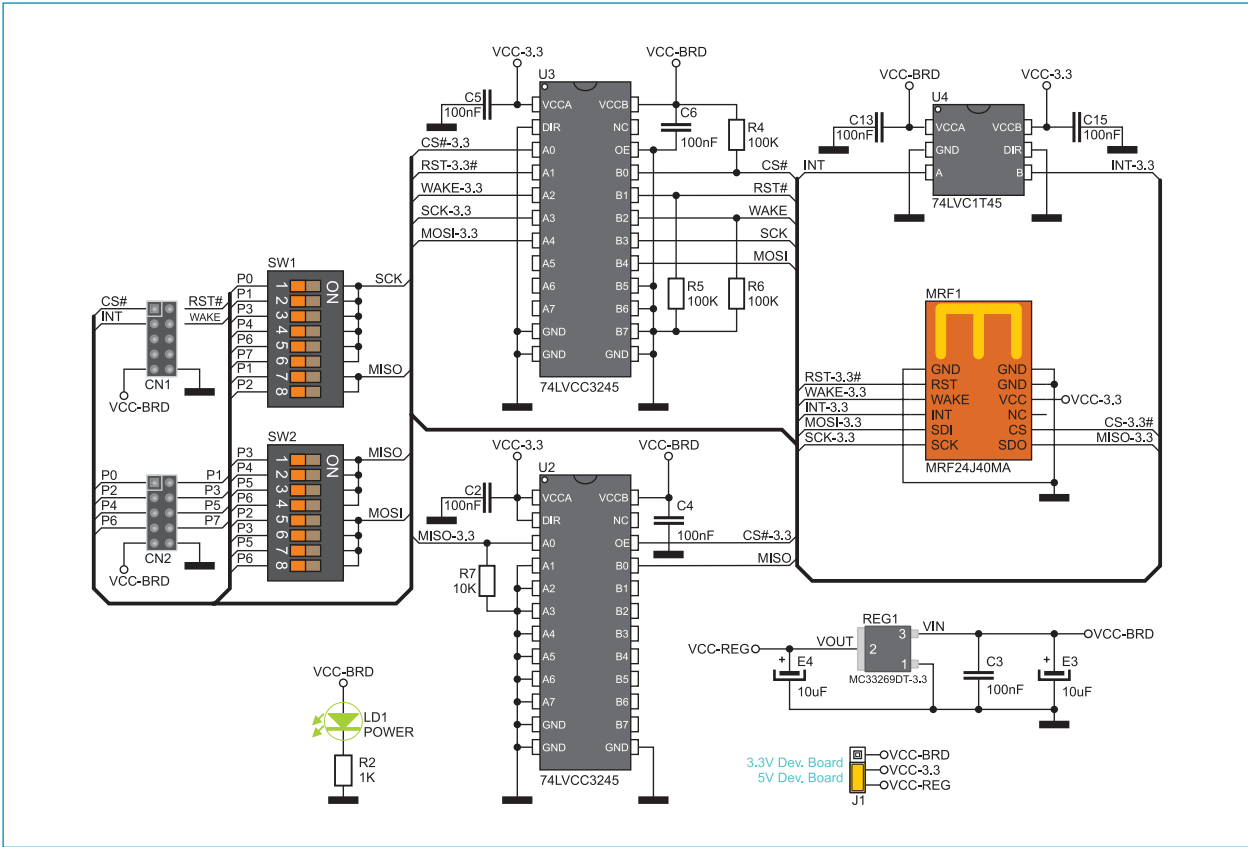


Figure 3: Easy Bee3 additional board

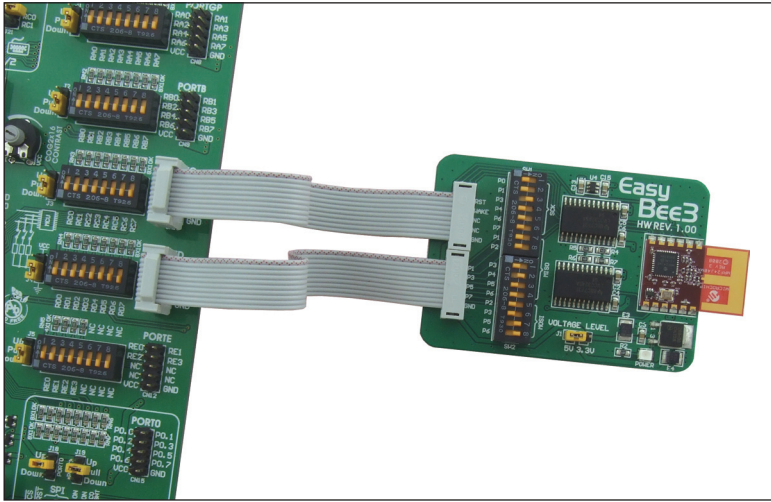


Figure 4: Easy Bee3 additional board connected to a development system



MikroElektronika
SOFTWARE AND HARDWARE SOLUTIONS FOR EMBEDDED WORLD ...making it simple

If you want to learn more about our products, please visit our website at www.mikroe.com

If you are experiencing some problems with any of our products or just need additional information, please place your ticket at www.mikroe.com/en/support

If you have any questions, comments or business proposals, do not hesitate to contact us at office@mikroe.com