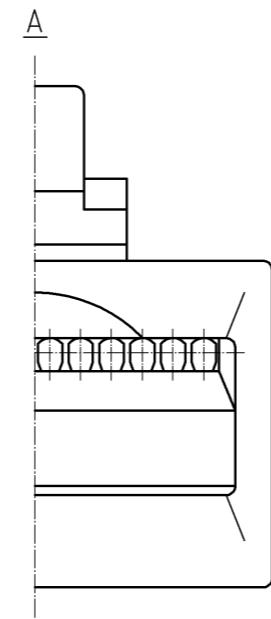
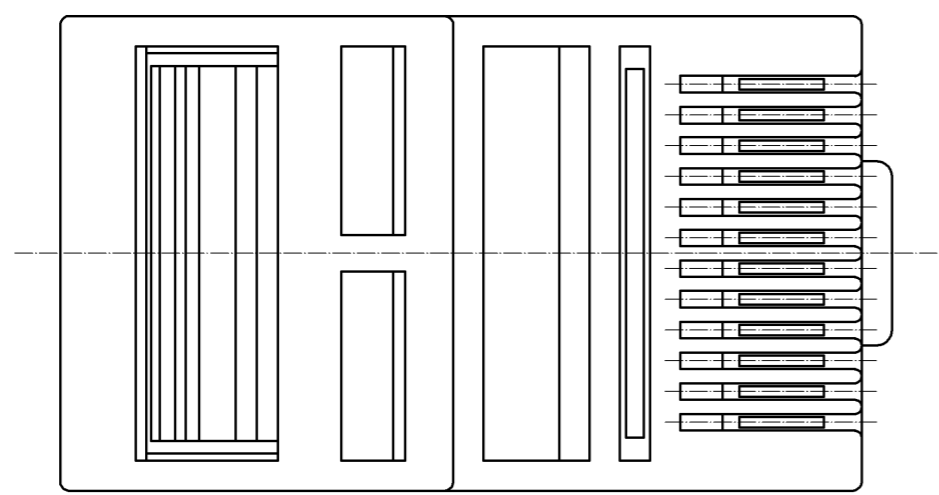
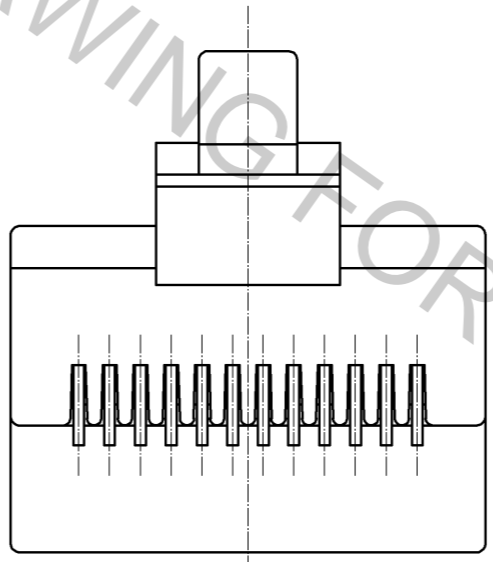
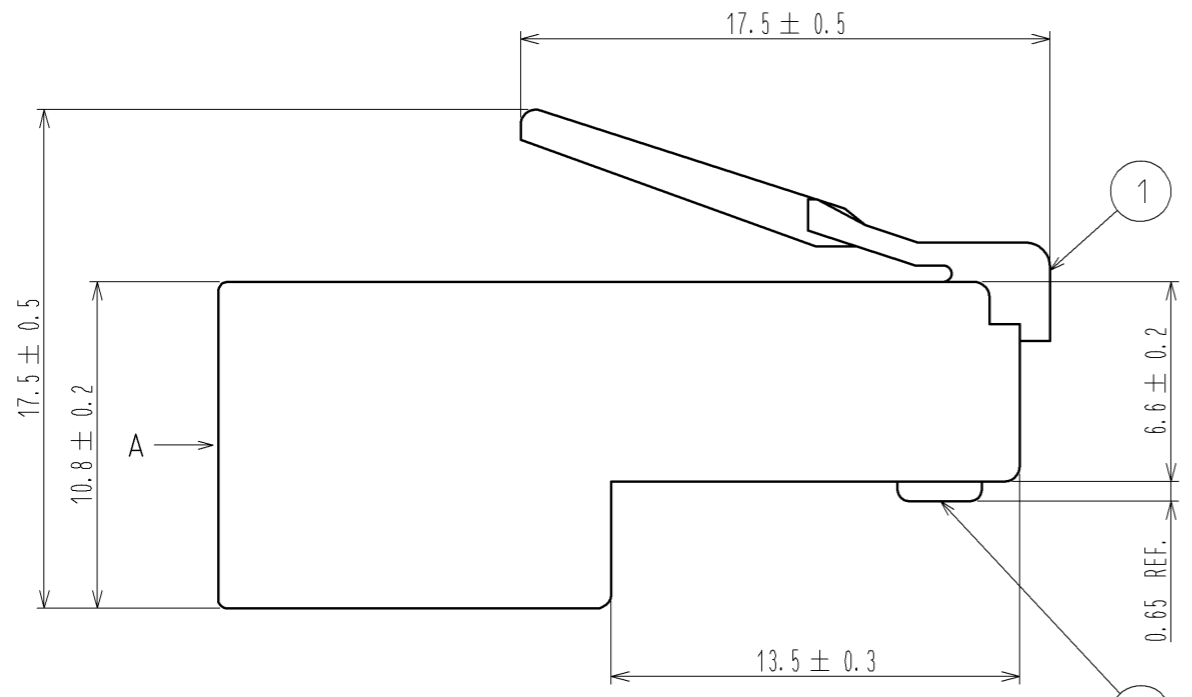
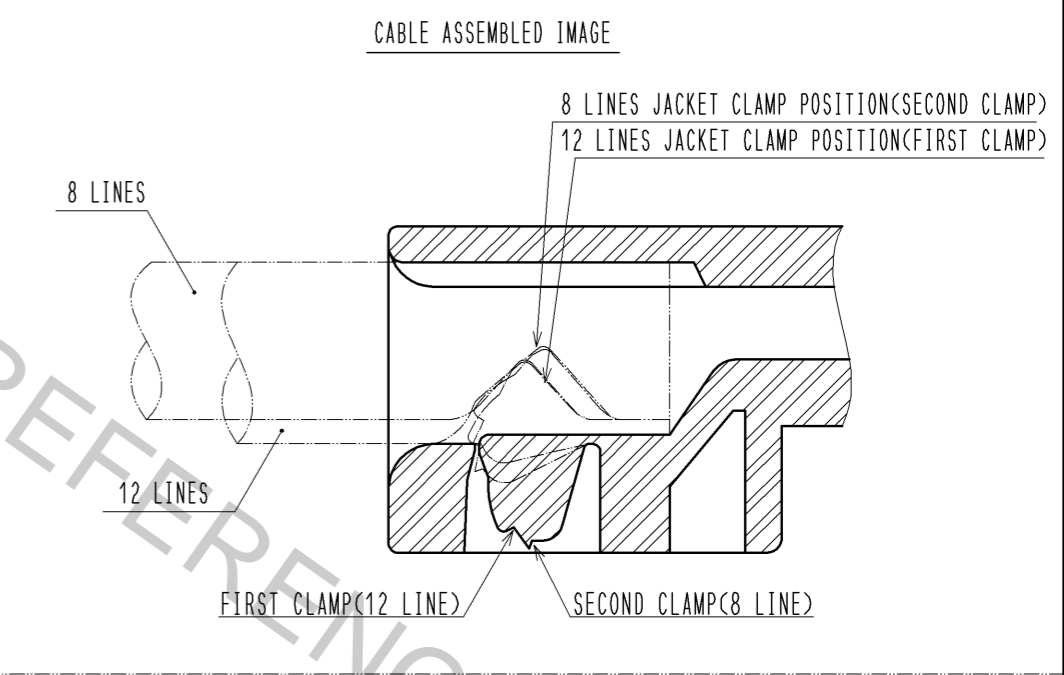


1 TABLE-1

APPLICABLE CABLE CONSTRUCTION		
JACKET [φ Amm]	8 LINES φ 5.2 mm ※1	12 LINES φ 6.2 mm ※1
INSULATOR	φ 0.9~1.0 mm	
CONDUCTOR	QUADRUPLE COPPER FOIL ※2	
DRAIN WIRE	19 CONDUCTORS/φ 0.12 ※2	
JACKET CLAMP POSITION	SECOND CLAMP	FIRST CLAMP

※1 OUTSIDE DIMENSION OF JACKET SHOULD BE φ 5.2~6.2 mm.
 ※2 CONDUCTOR AND DRAIN WIRE FOR REFERENCE.



NOTES 1 APPLICABLE CABLE IS SHOWN IN TABLE-1.
 2 PLEASE USE ACCESSORY AS A GUIDE PLATE AND ASSEMBLE CONNECTOR WITH CABLE INSERTING ACCESSORY INTO CONNECTOR.

1	POLYCARBONATE	CLEAR. UL94V-2	3	POLYCARBONATE	CLEAR. UL94HB		
2	PHOSPHOR BRONZE				CONTACT:GOLD PLATING 1μm min. LEAD :GOLD PLATING 0.05μm min. UNDER :NICKEL PLATING 2μm min.		
NO.	MATERIAL	FINISH . REMARKS	NO.	MATERIAL	FINISH . REMARKS		
UNITS mm		SCALE 4 : 1	COUNT △	DESCRIPTION OF REVISIONS	DESIGNED	CHECKED	DATE
HRS HIROSE ELECTRIC CO., LTD.		APPROVED : YH. ENAMI	10.09.22	DRAWING NO. EDC3-025329-01			
		CHECKED : YH. ENAMI	10.09.22	PART NO. TM4P-1212P			
		DESIGNED : YH. MAMADA	10.09.21	CODE NO. CL222-1310-7-00			
		DRAWN : YH. MAMADA	10.09.21			△ 1/1	