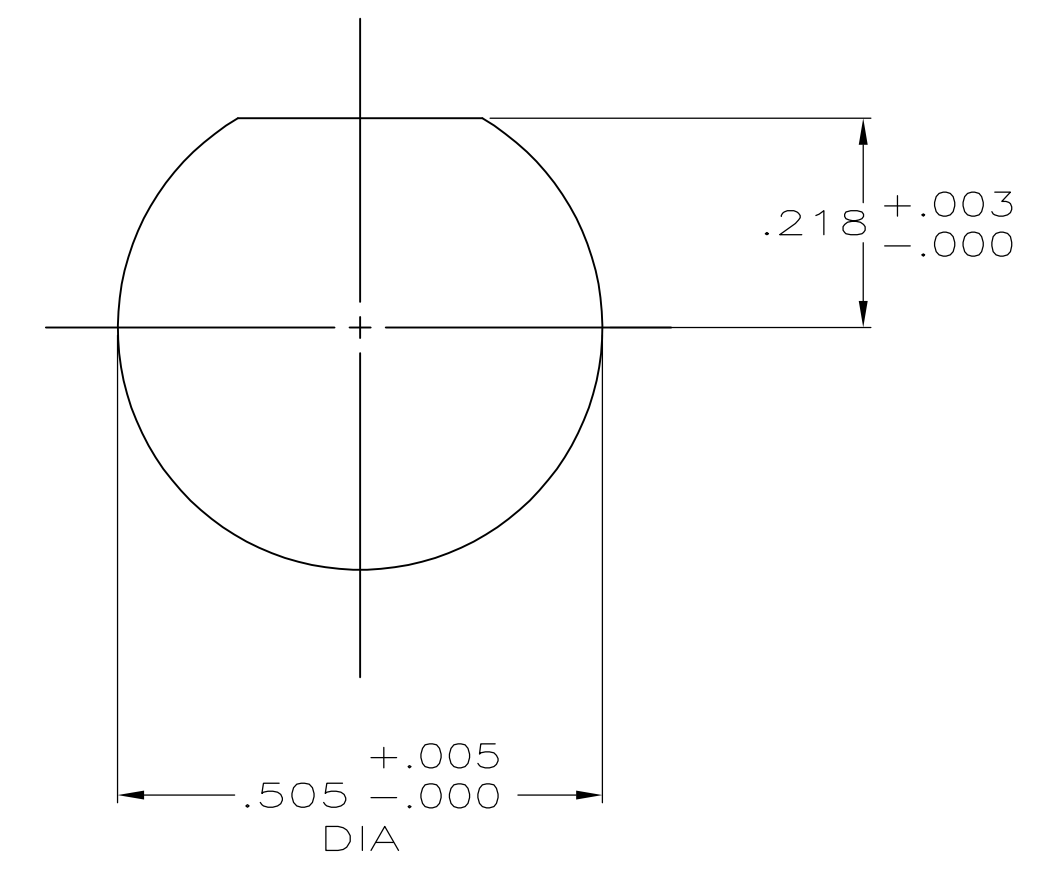
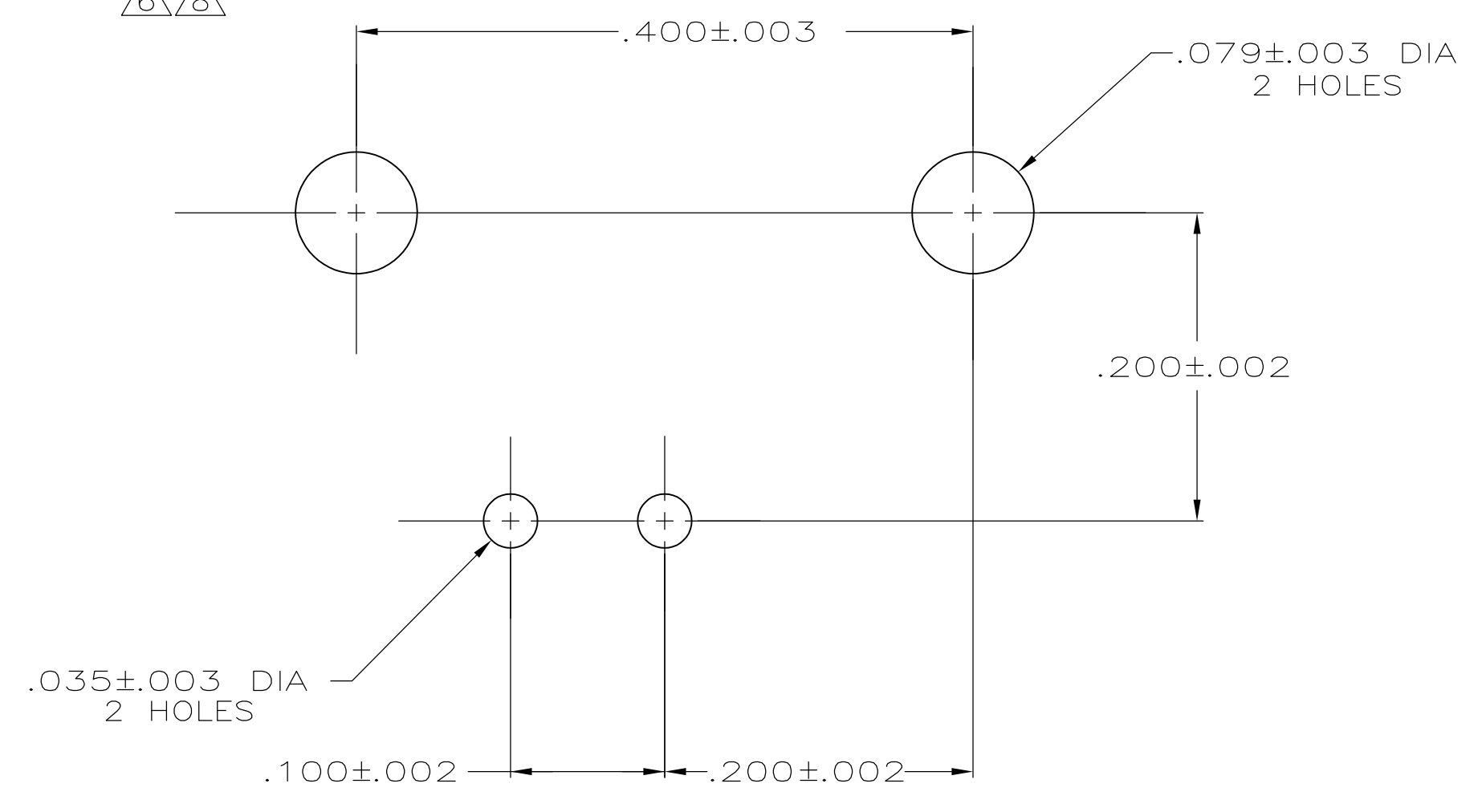
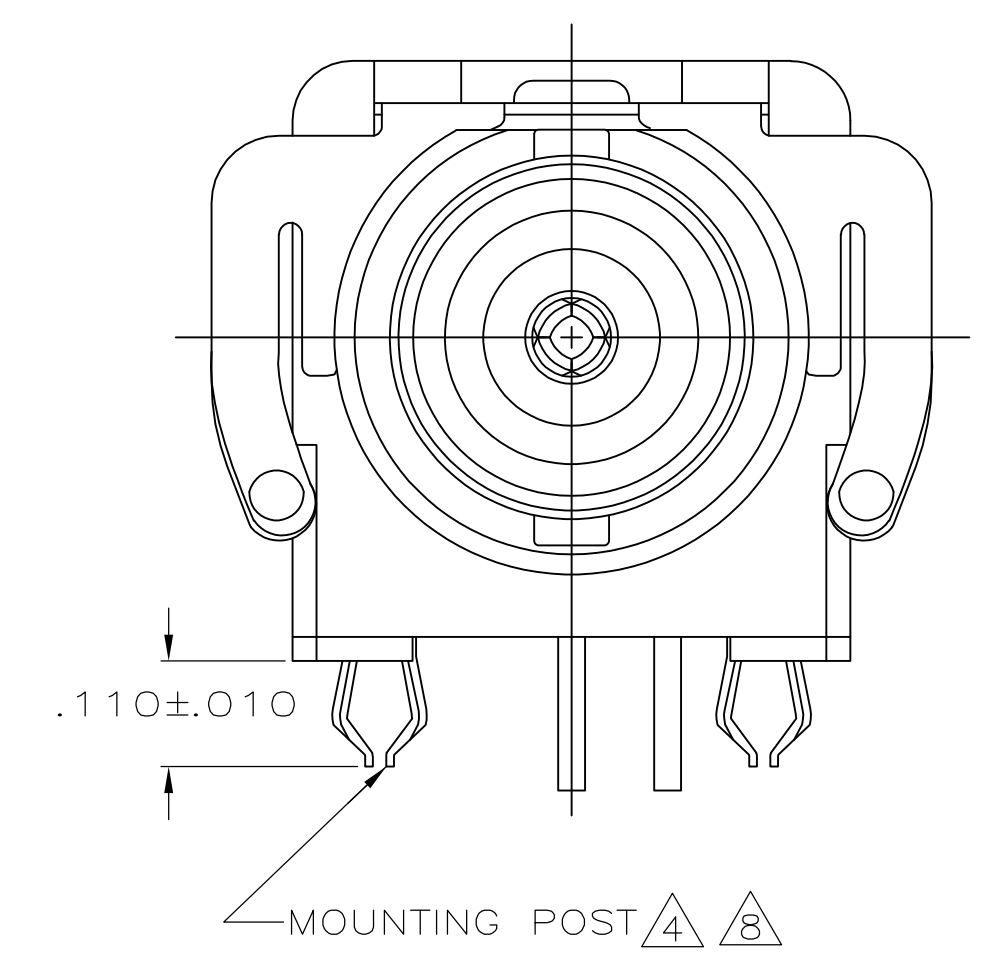
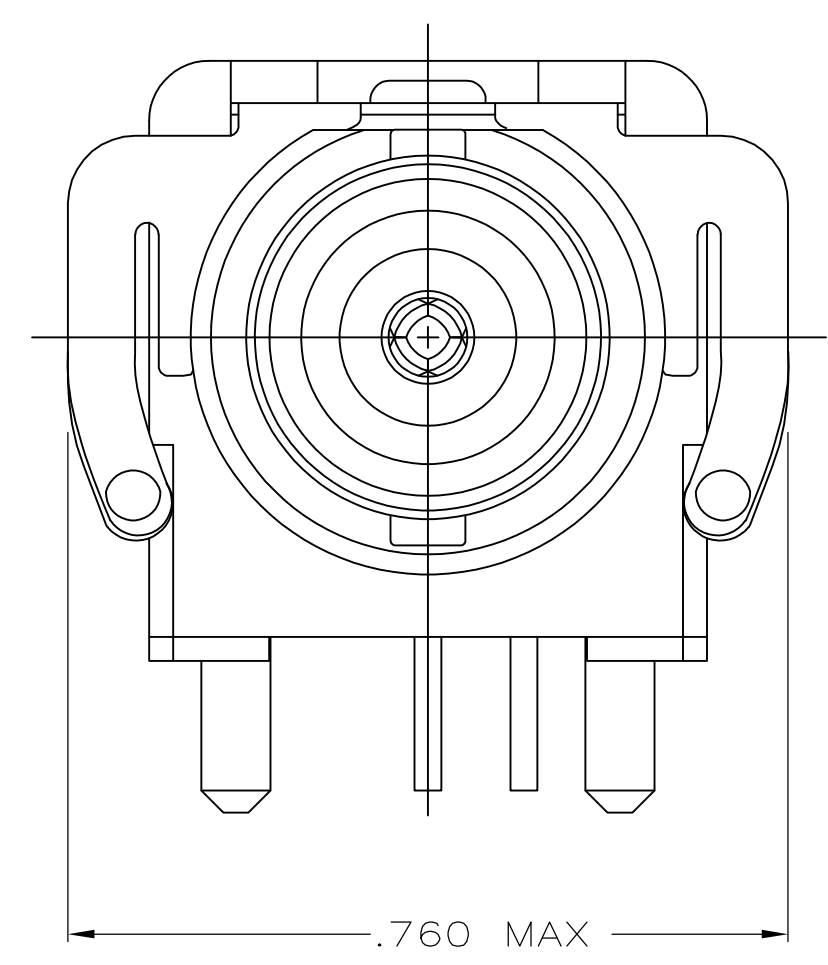
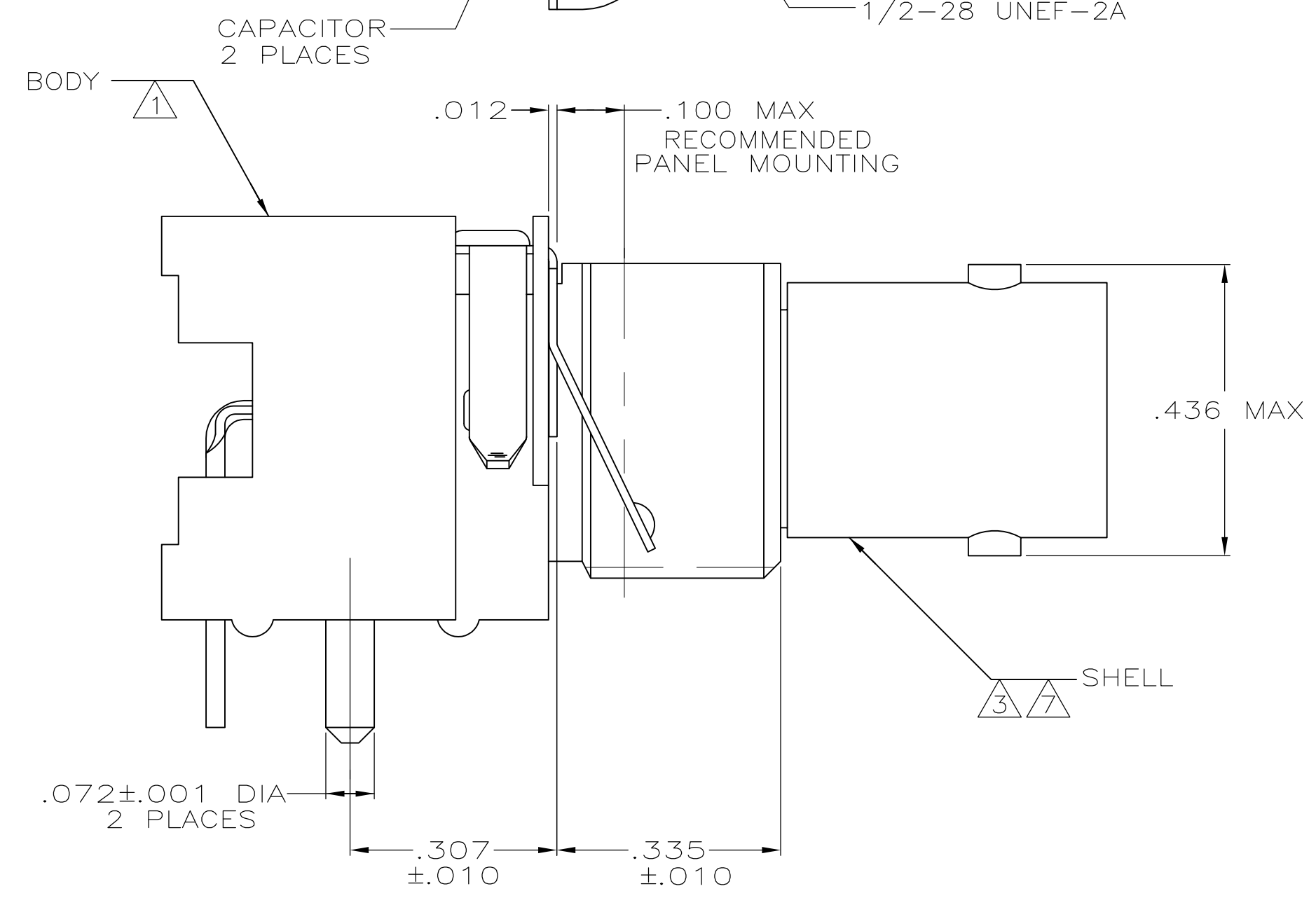
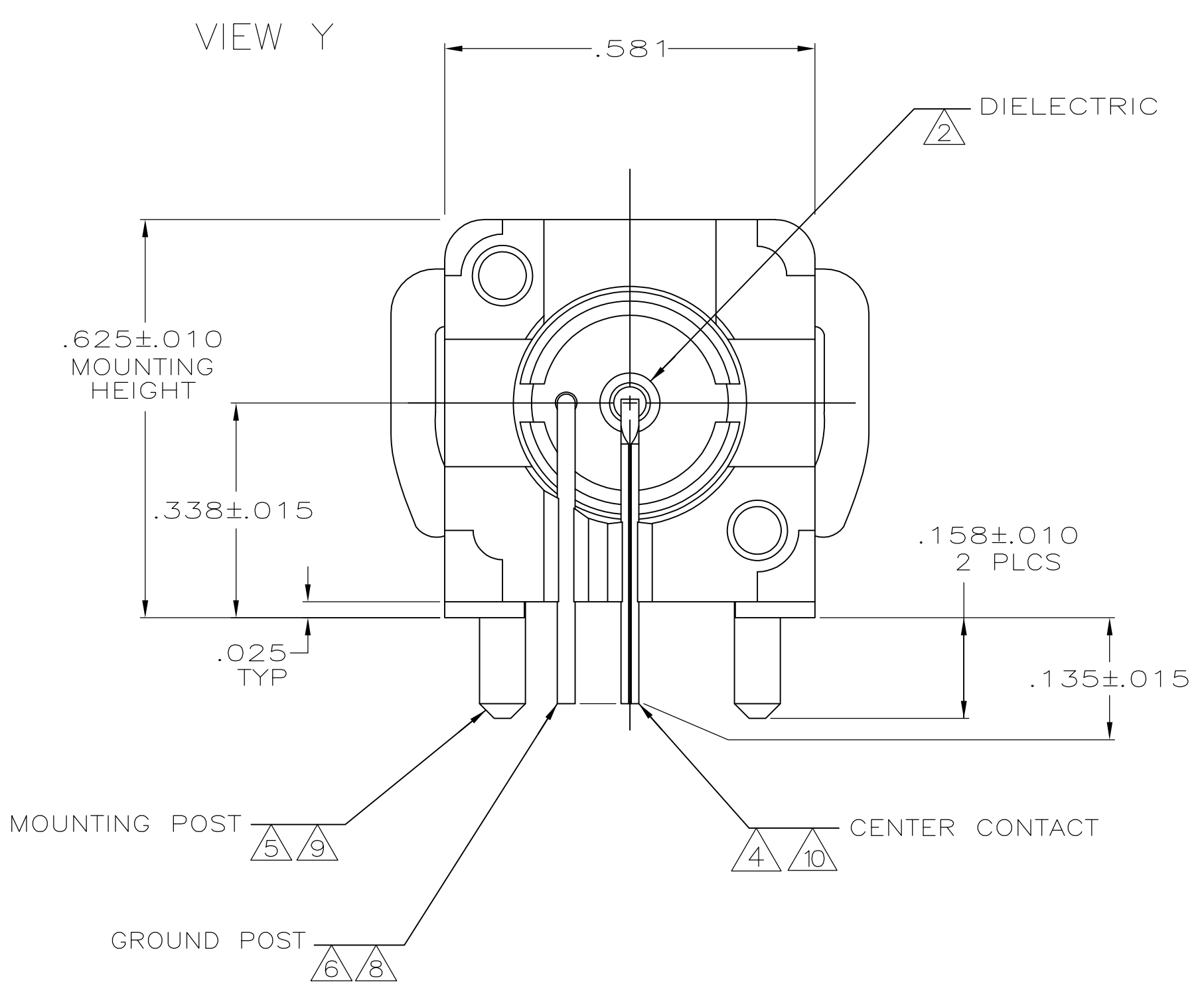


- 1 POLYESTER, PBT, BLACK, PER MIL-M-24519
- 2 POLYMETHYLPENTENE GENERAL PURPOSE
- 3 ZINC PER QQ-Z-363
- 4 PHOSPHOR BRONZE PER QQ-B-750
- 5 BRASS PER QQ-B-626
- 6 BRASS PER ASTM-B-453
- 7 NICKEL PL PER QQ-N-290
- 8 TIN PL PER ASTM-B-545
- 9 TIN PL PER ASTM-B-545
- 10 SELECTIVELY GOLD PLATED ON INTERFACE AREA PER: MIL-G-45204, .000030 THK, TIN PLATED ON SOLDER TAIL PER: ASTM-B-545, ALL OVER NICKEL PL PER: QQ-N-290



| | | | | |
|-------------------|---------------|--------|-----------------------|-------------|
| | VIEW Z | VIEW X | 9400 pf, 1500 VDC | 413524-5 |
| SUPSD BY 413524-2 | VIEW X OR Y | VIEW Y | 9400 pf, 1500 VDC | 413524-4 |
| SUPSD BY 413524-2 | VIEW X OR Y | VIEW Y | 9400 pf, 500 VDC | 413524-3 |
| | VIEW X OR Y | VIEW X | 9400 pf, 1500 VDC | 413524-2 |
| SUPSD BY 413524-2 | VIEW X OR Y | VIEW X | 9400 pf, 500 VDC | 413524-1 |
| | MOUNTING POST | CLIP | CAPACITANCE & VOLTAGE | PART NUMBER |

P.C.B. CONFIGURATION
SCALE=10:1

RECOMMENDED
PANEL CUTOUT

| | | | | |
|--|---------------|------------------------|--|--------------------|
| THIS DRAWING IS A CONTROLLED DOCUMENT. | | DIN P. KERLIN 4/30/90 | Tyco Electronics Corporation Middletown, PA 17057 | |
| DIMENSIONS: INCHES | | CHK R. E. RUTH 5/18/90 | NAME | |
| TOLERANCES UNLESS OTHERWISE SPECIFIED: | | APP'D P. BIRD 5/18/90 | PRODUCT SPEC | |
| 0 PLC ± - | 1 PLC ± - | 108-1269 | | |
| 2 PLC ± - | 3 PLC ± -.008 | APPLICATION SPEC | | |
| 4 PLC ± - | ANGLES ± - | SIZE | CAGE CODE | DRAWING NO |
| MATERIAL THRU | FINISH | WEIGHT | A1 00779 | 413524 |
| 1 | 6 | CUSTOMER DRAWING | SCALE 5:1 | SHEET 1 of 1 REV L |