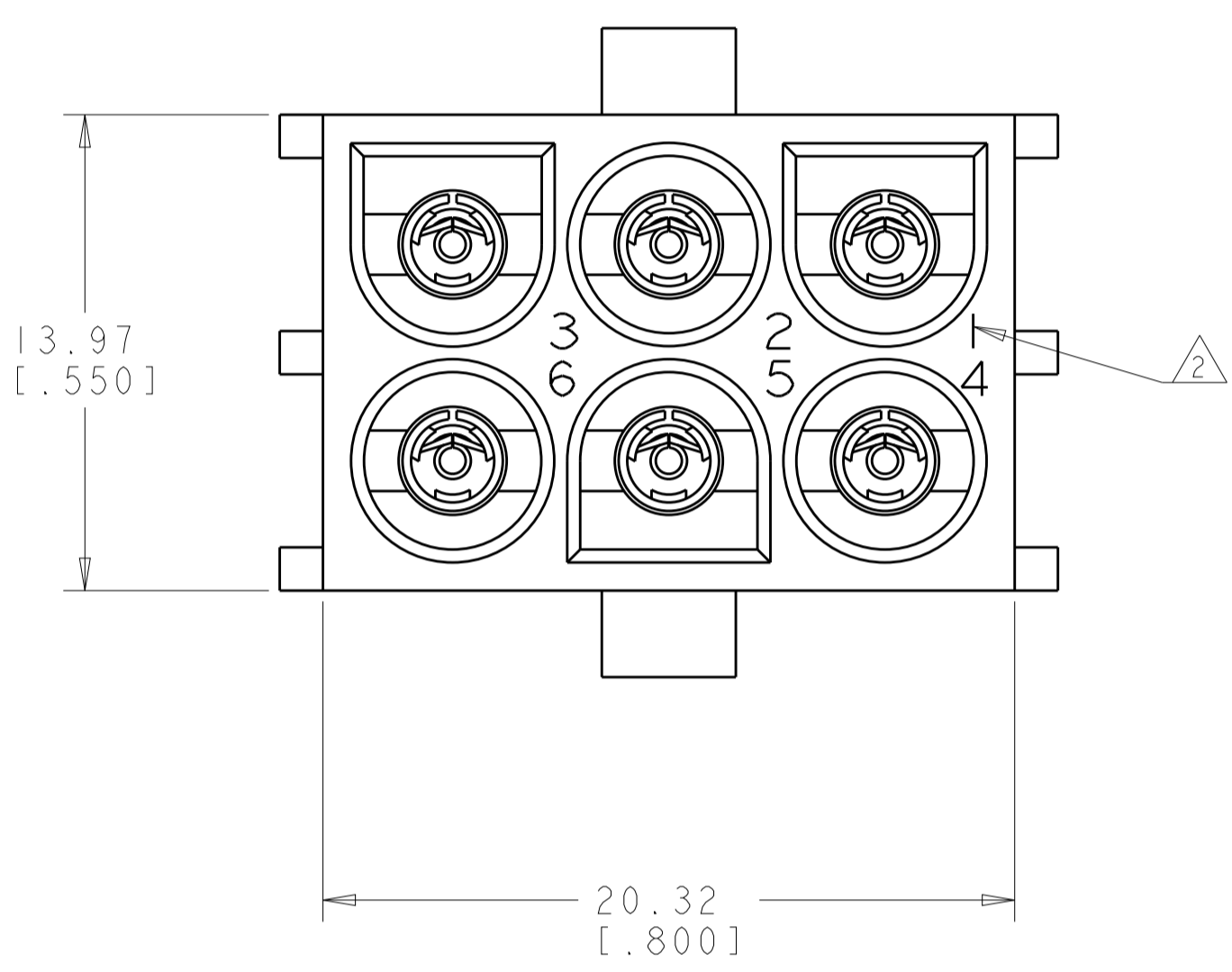
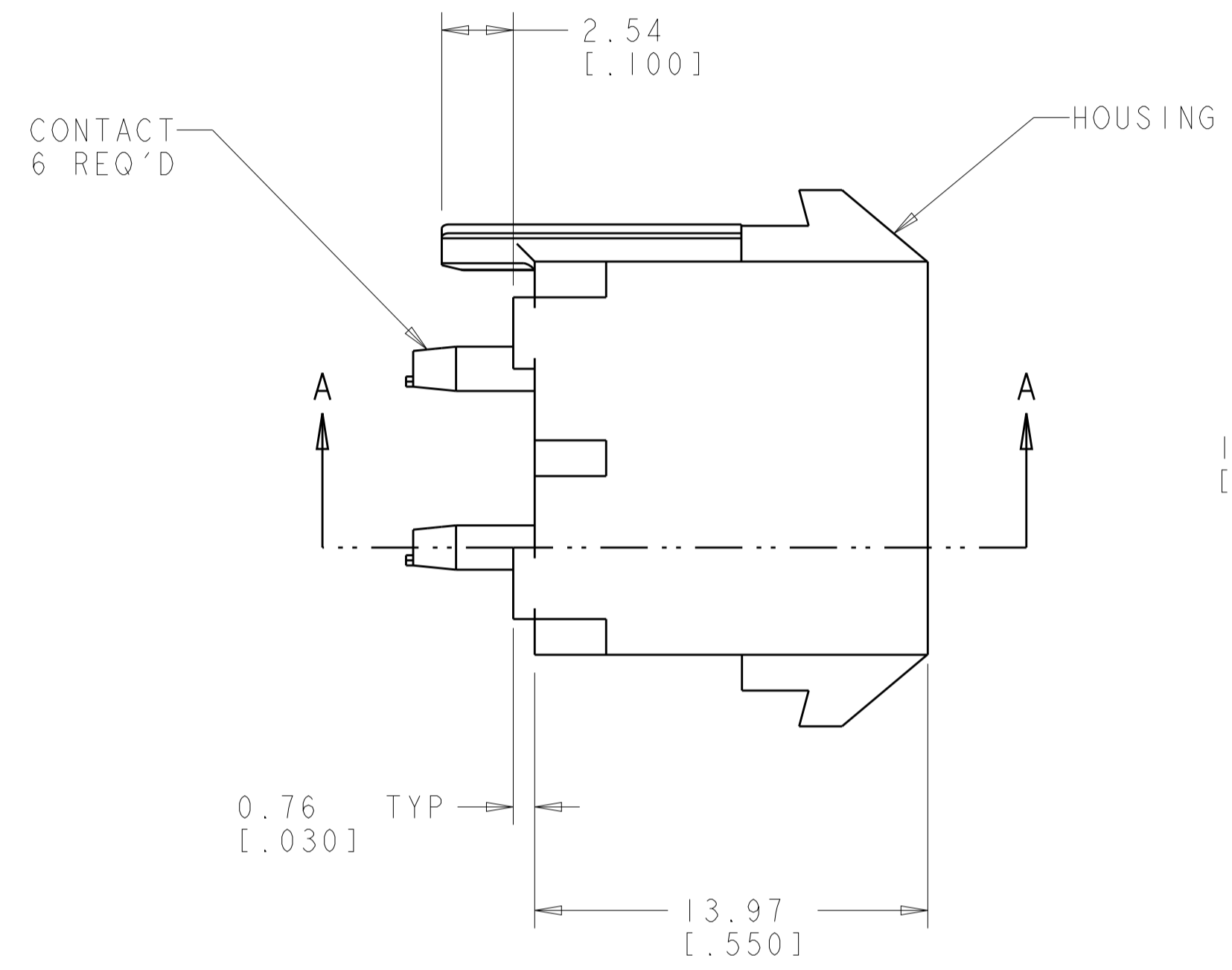
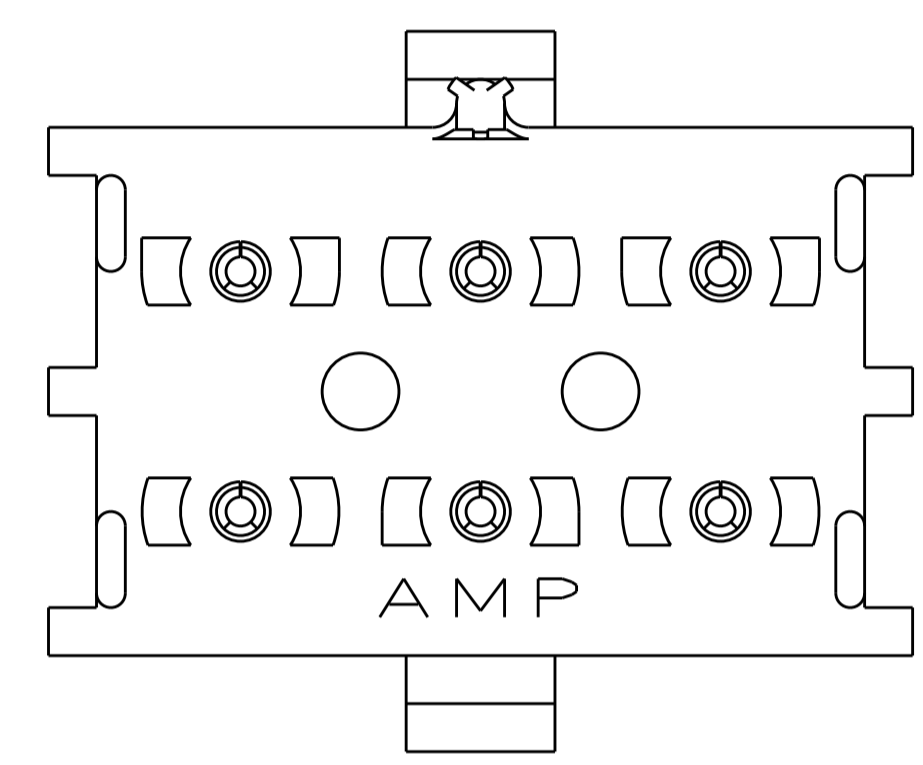
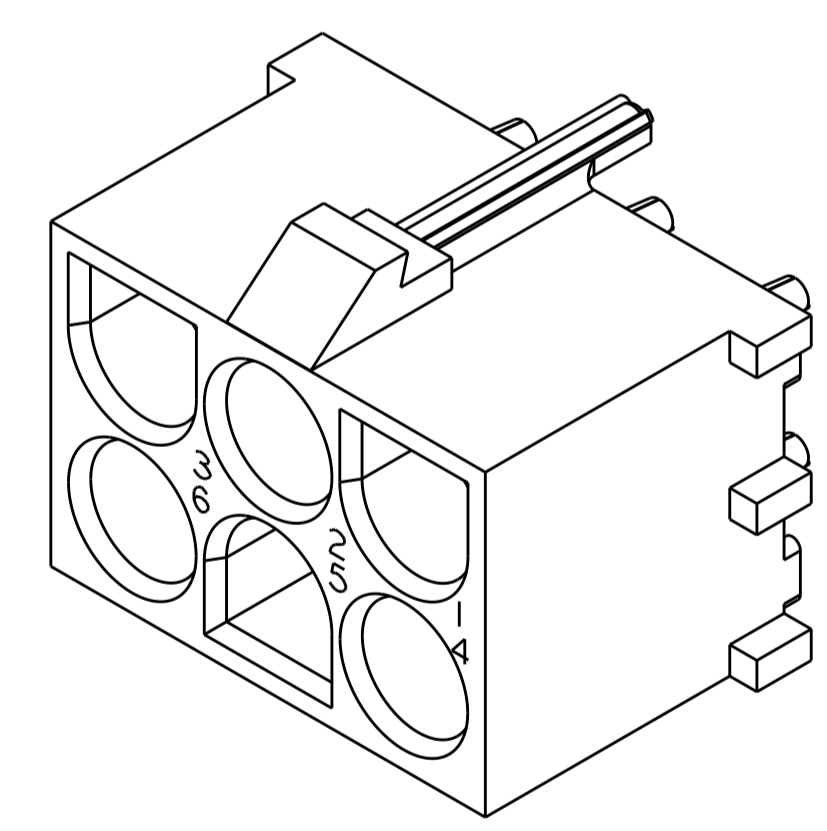


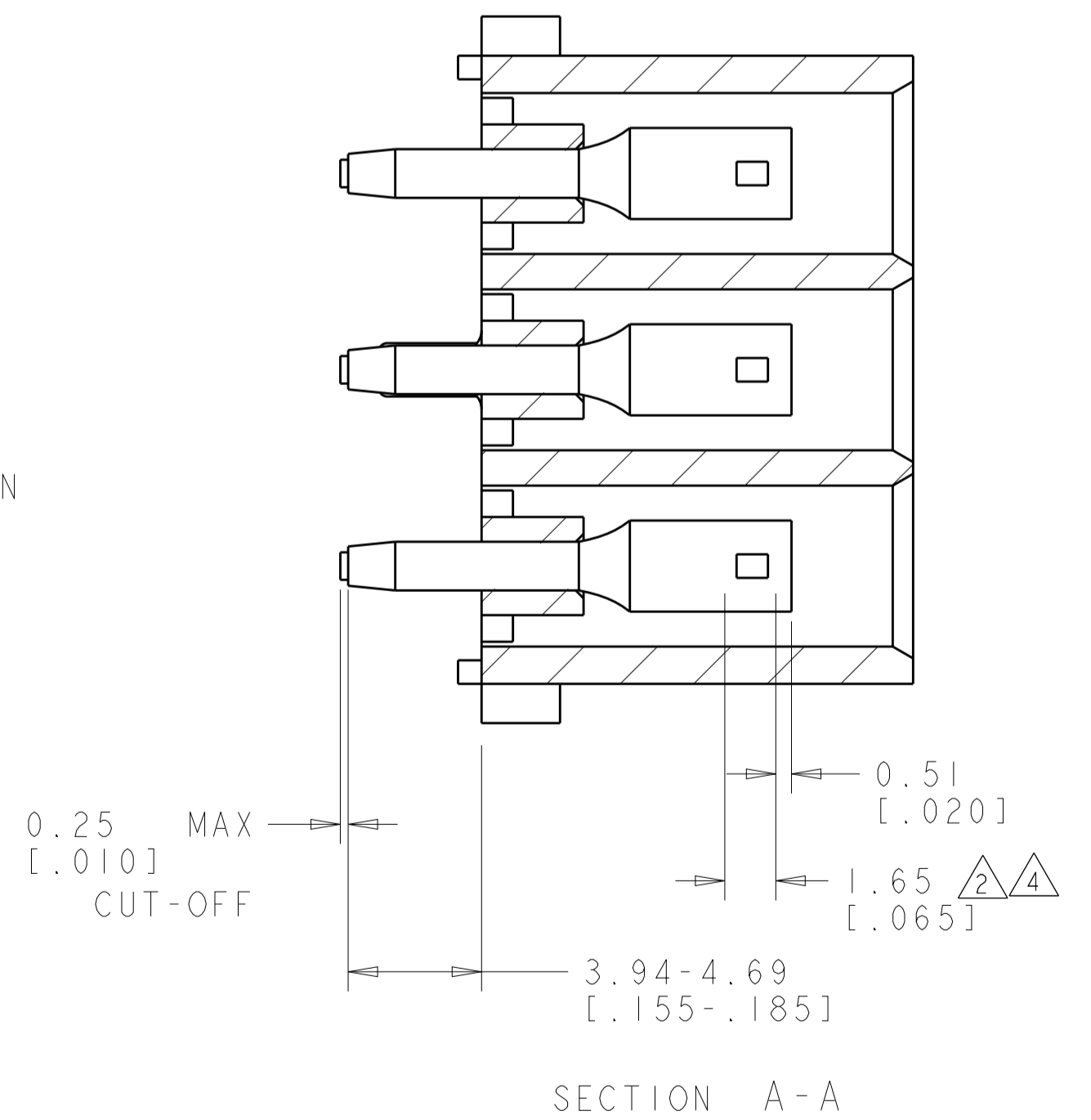
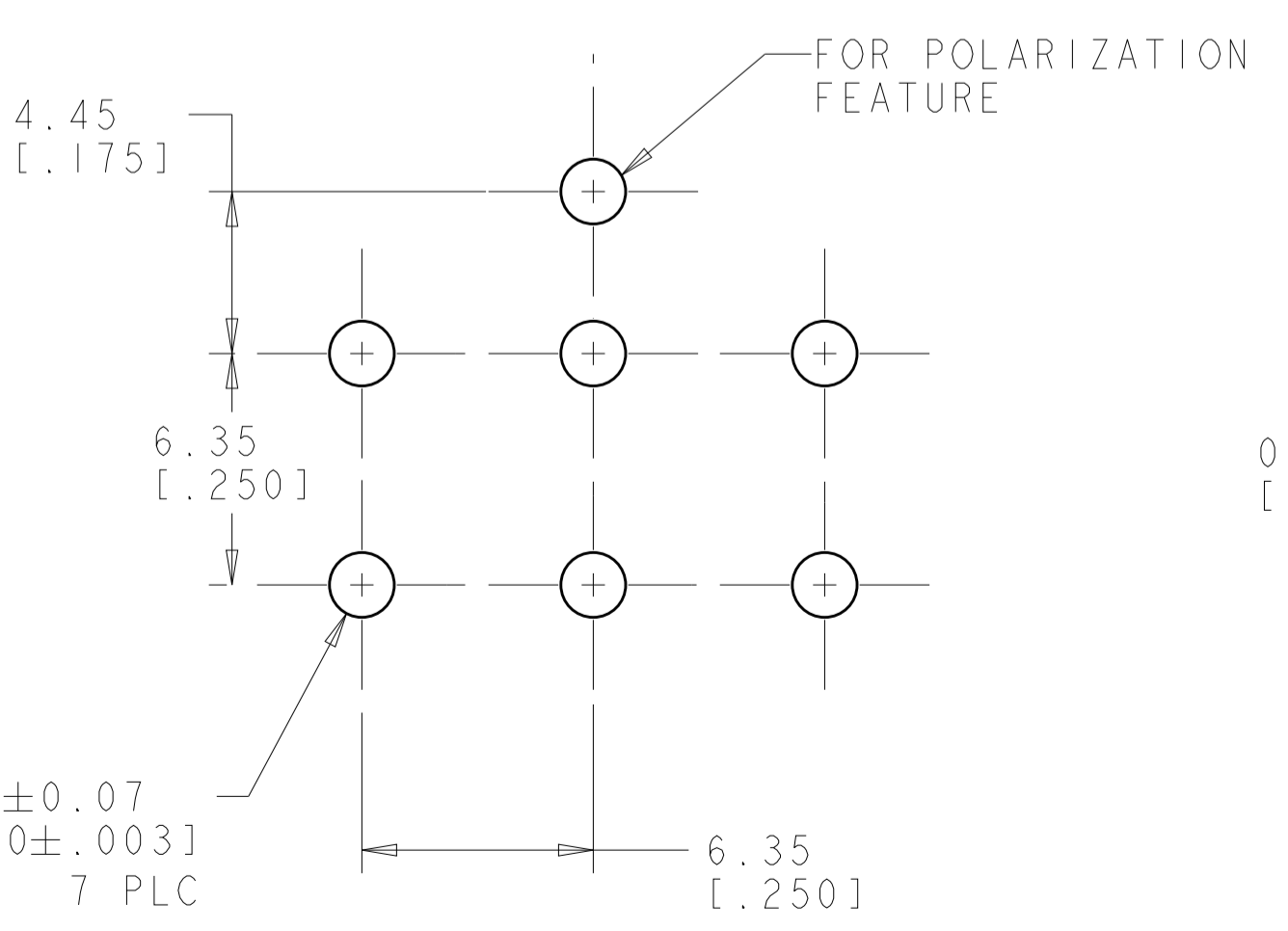
LOC	DIST	REVISIONS					
		P	LTN	DESCRIPTION	DATE	DWN	APVD
CM	00	HI		REVISED PER ECR-12-011660	24JAN2013	KH	TM



- 1. PARTS COMPLY TO AMP SOLDERABILITY SPECIFICATION 109-11-3.
- 2. CONTACT IS PLATED OVERALL WITH 0.00127 [0.00050] NICKEL, THEN STRIPED WITH 0.00076 [0.00030] GOLD IN CONTACT AREA AND TIN-LEAD ON SOLDER TAIL END.
- 3. CIRCUIT IDENTIFICATION CHARACTERS ARE ADJACENT TO THE INDICATED CAVITIES, BUT LOCATION AND ORIENTATION MAY DIFFER FROM PRINT.
- 4. CONTACT IS PLATED OVERALL WITH 0.00127 [0.00050] NICKEL, THEN 0.00076 [0.00030] GOLDOVER CONTACT LENGTH INDICATED AND MATTE TIN ON SOLDER TAIL END.
- 5. SUPERSEDED BY 643424-3



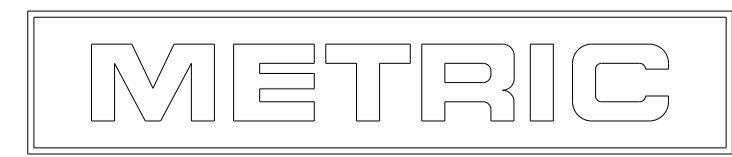
SCALE 4:1



SECTION A-A

PHOSPOR BRONZE, GOLD	NYLON, UL94V-0	643424-3
PHOSPOR BRONZE, GOLD	NYLON, UL94V-0	643424-2
PHOSPOR BRONZE, PRE-TIN	NYLON, UL94V-0	643424-1
CONTACT	HOUSING	PART NUMBER

RECOMMENDED MOUNTING HOLE PATTERN FOR 1.57 [.062] THICK P.C. BOARD



THIS DRAWING IS A CONTROLLED DOCUMENT.		DWN: J. WHITAKER 13OCT2005	TE Connectivity
DIMENSIONS: mm [INCHES]		CHK: S. RIDGILL 13OCT2005	
TOLERANCES UNLESS OTHERWISE SPECIFIED:		APVD: S. RIDGILL 13OCT2005	NAME: SOCKET HEADER ASSEMBLY, POLARIZED, 6 CIRCUIT, UNIVERSAL MATE-N-LOK(TM)
0 PLC ±		PRODUCT SPEC	
1 PLC ±0.131(.005)		APPLICATION SPEC	SIZE: CAGE CODE: DRAWING NO: RESTRICTED TO:
2 PLC ±		WEIGHT	
3 PLC ±		FINISH: SEE TABLE	A100779 ©=643424
4 PLC ±		ANGLES: 40°/30°	SCALE: 5:1 SHEET 1 OF 1 REV: HI
MATERIAL: SEE TABLE		CUSTOMER DRAWING	