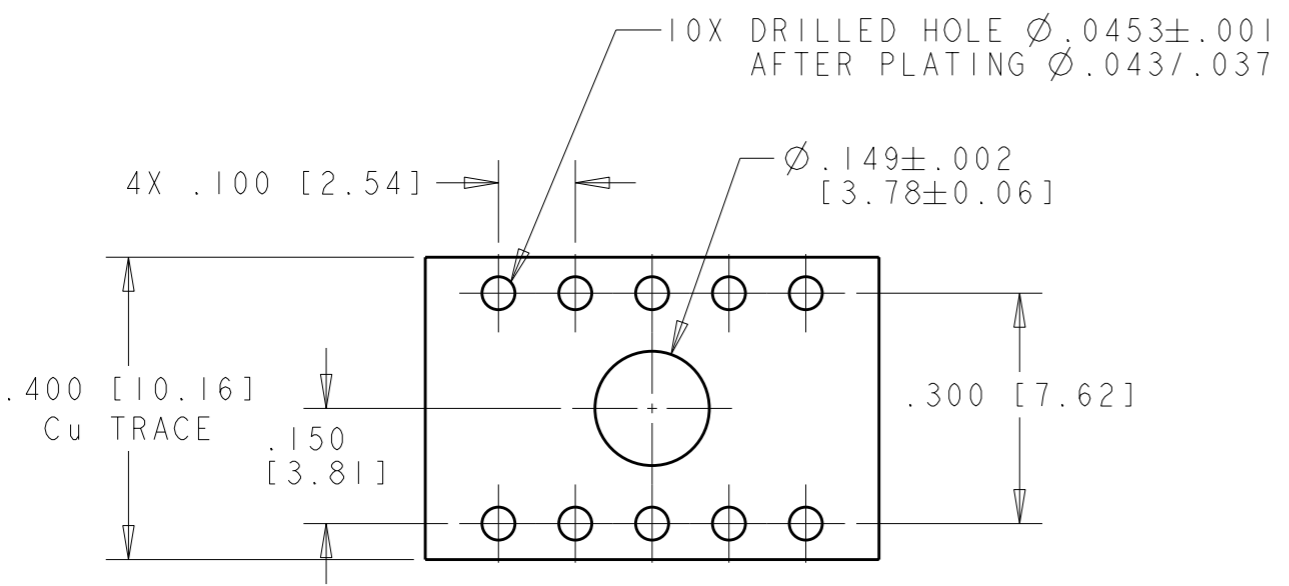
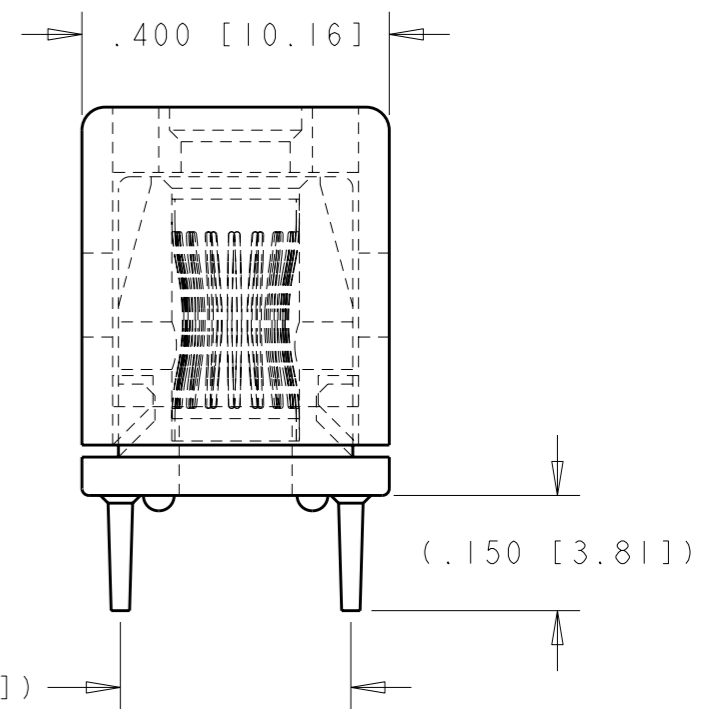
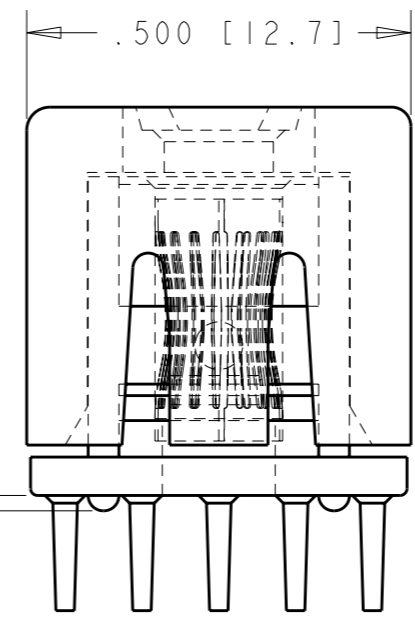
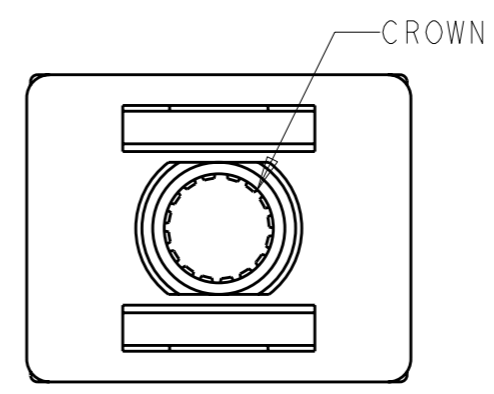


THIS DRAWING IS UNPUBLISHED. RELEASED FOR PUBLICATION 20
 © COPYRIGHT 20 BY TYCO ELECTRONICS CORPORATION. ALL RIGHTS RESERVED.

LOC	DIST	REVISIONS			
P	LTR	DESCRIPTION	DATE	DWN	APVD
GP	00	A	INITIAL RELEASE	27NOV2006	GIP DO
		B	REV PER ECO-10-021627	24JAN2011	RG NE



RECOMMENDED FOOTPRINT



- PART NUMBER CHANGES AND/OR DESIGN CHANGES AFFECTING ITEM INTERCHANGEABILITY REQUIRE PRIOR TYCO APPROVAL AND AUTHORIZATION BY REVISION TO THIS DRAWING.
- ITEM PROVIDED TO THIS SPECIFICATION SHALL BE IDENTIFIED ON CONTAINER WITH THE FOLLOWING INFORMATION, PART NUMBER AND DATE CODE OF MANUFACTURE.
- MATERIAL:
 INSULATOR - POLYESTER, GLASS FILLED, UL 94 V-0
 RATED COLOR: BLACK
 MODULE: ZINC ALLOY
 CROWN: BeCu
- FINISH:
 MODULE-SILVER .0002 MIN THK OVER NICKEL .00005 MIN THK OVER COPPER .00001 MIN THK.
 CROWN- GOLD IN CONTACT AREA .00003 MIN THK. OVER NICKEL .00005 MIN THK.

5 A FIVE POUND (5lb) FORCE REQUIRED TO CORRECTLY SEAT THE CONNECTOR WITH THE PLATED THRU HOLES LESS THAN $\phi .040$ INCH.

6643219-1
 PART NUMBER

<small>THIS DRAWING IS A CONTROLLED DOCUMENT FOR TYCO ELECTRONICS CORPORATION IT IS SUBJECT TO CHANGE AND THE CONTROLLING ENGINEERING ORGANIZATION SHOULD BE CONTACTED FOR THE LATEST REVISION.</small>	
DIMENSIONS: INCH [mm]	TOLERANCES UNLESS OTHERWISE SPECIFIED:
	0 PLC \pm -
	1 PLC \pm -
	2 PLC $\pm .01 [.3]$
	3 PLC $\pm .006 [.15]$
	4 PLC \pm -
	ANGLES $\pm .5$
MATERIAL SEE LIST	FINISH -

DWN G.PETERS 27NOV2006	Tyco Electronics Harrisburg, PA 17105-3608
CHK D.ORRIS 27NOV2006	
APVD S.FLICKINGER 27NOV2006	
S.FLICKINGER	
PRODUCT SPEC	NAME IC CON SOCKET, PERPENDICULAR 2 X 5, WITH THRU HOLE
APPLICATION SPEC	
WEIGHT -	SIZE A3 CAGE CODE 00779 DRAWING NO C-6643219 RESTRICTED TO -
CUSTOMER DRAWING	SCALE SHEET OF REV B

ELCON IC CON