

FCI CONFIDENTIAL

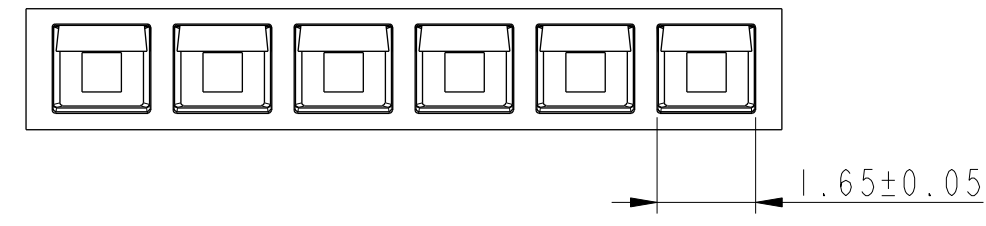
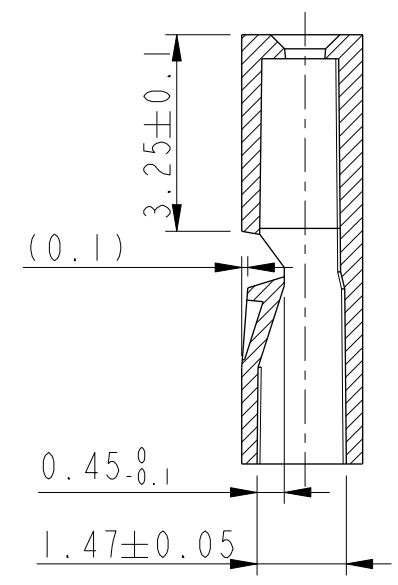
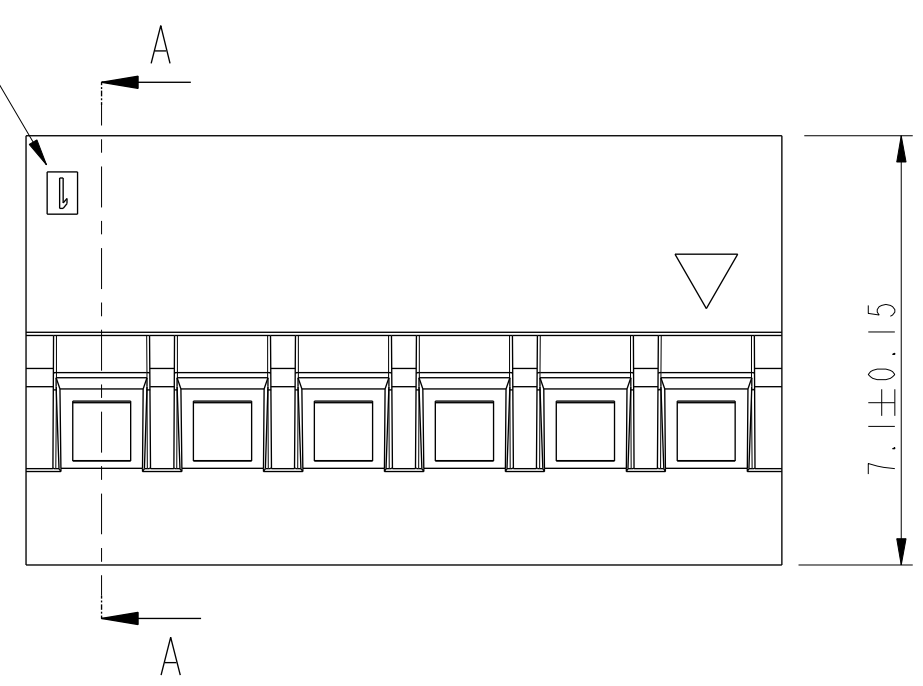
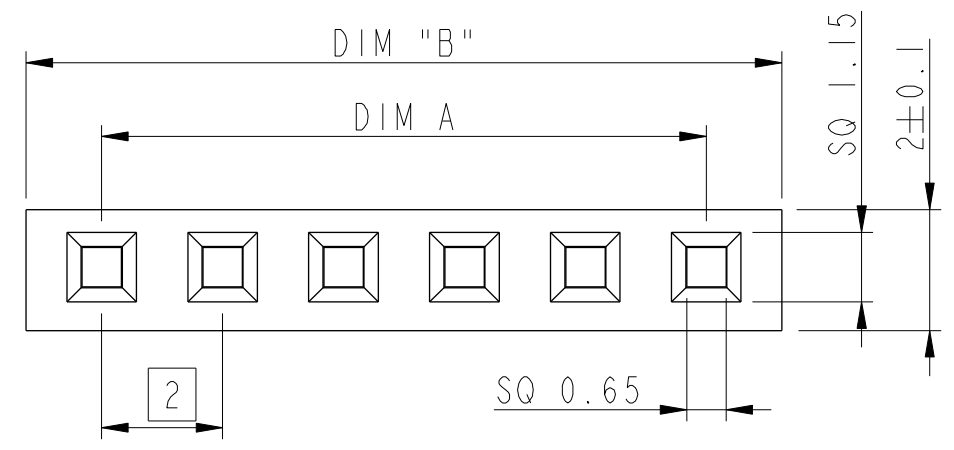


This document is the property of and embodies CONFIDENTIAL and PROPRIETARY information of FCI. No part of the information shown on this document may be used in any way or disclosed to others without the written consent of FCI. Copyright FCI.

PRODUCT NUMBER	SIZE	DIM A	DIM B
69305-003LF	1x3	4.0	6.4
69305-004LF	1x4	6.0	8.4
69305-005LF	1x5	8.0	10.4
69305-006LF	1x6	10.0	12.4
69305-007LF	1x7	12.0	14.4
69305-008LF	1x8	14.0	16.4
69305-009LF	1x9	16.0	18.4
69305-010LF	1x10	18.0	20.4
69305-011LF	1x11	20.0	22.4
69305-012LF	1x12	22.0	24.4
69305-013LF	1x13	24.0	26.4
69305-014LF	1x14	26.0	28.4
69305-015LF	1x15	28.0	30.4
69305-016LF	1x16	30.0	32.4
69305-017LF	1x17	32.0	34.4

PRODUCT NUMBER  
69305-0XXLF  
TOTAL NUMBER OF POS 03 UP TO 17

NOTE 5



- NOTES:
- MATERIAL : PA66 25% GLASSFILLED, UL94V-0 COLOR BLACK.
  - PRODUCT MEETS EUROPEAN UNION DIRECTIVES AND OTHERS REGULATIONS AS DESCRIBED IN GS-47-004.
  - THIS PRODUCT IS NOT INTENDED TO BE EXPOSED TO MANUFACTURING SOLDER PROCESSES.
  - INDICATES POS 1, WHEN MATED WITH 95000 SERIE.
  - FOR USE WITH MINITEK CRIMP TO WIRE CONTACT 77138 (26-30AWG) OR 10044403 (22-24AWG).
  - PRODUCT SPECIFICATION AS PER 110-036, CRIMP RECOMMENDATIONS AS PER GS-20-058

TOLERANCES UNLESS OTHERWISE SPECIFIED

	0.X	±0.3	-	-	-	-
LINEAR	0.XX	±0.13	-	-	-	-
	0.XXX	±0.050	-	-	-	-
	ANGULAR	0°	±2°	-	-	-

Material		NOTE 1		Spec ref	
Mat code		N/A		✓	tolerance
Heattreat		N/A			
Plating/Finish		N/A			
Dr	E.KROPIEWN	1999-11-08	Product family		MINITEK
Eng	L. GREEN	1999-11-08	Model Name		69305
Chr	J.COMPAGNON	2012-08-30	Model Revision		REL Level proi_release
Appr	JCO	2012-08-30	size		A3
Scale		8:1		Rev.	
FCI		MINITEK CTW HOUSING		69305	
SINGLE ROW		dwg no		N	
Pro/E file		catalog no		CUSTOMER	
sheet 1 of 1		sheet 1 of 1		sheet 1 of 1	