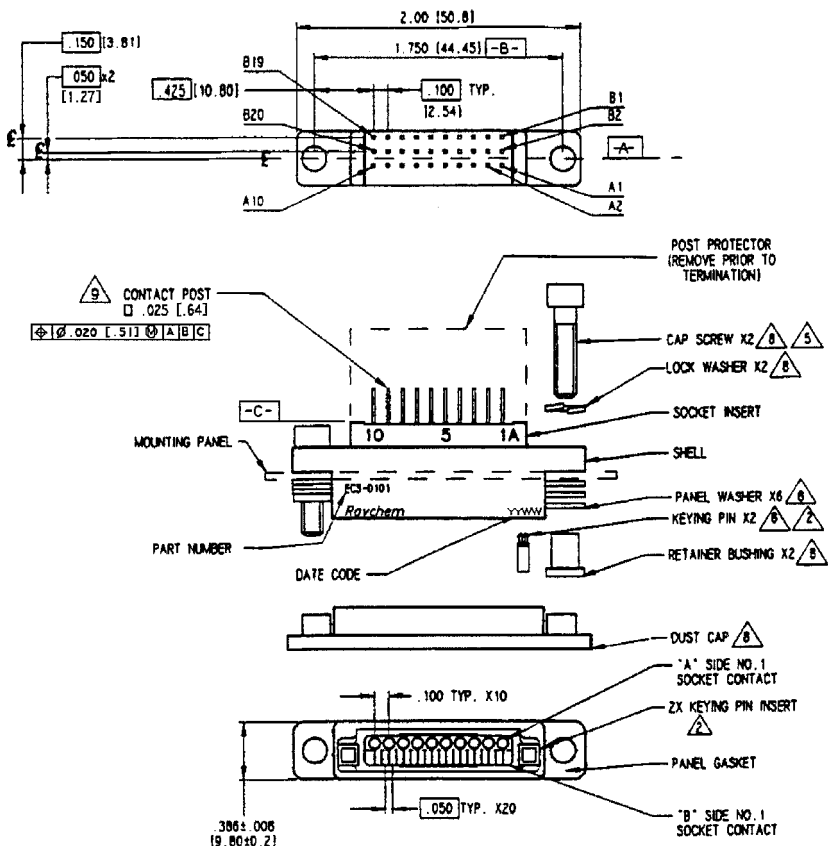


BOXMOUNT HYBRID 1", PRE-TINNED LEADS

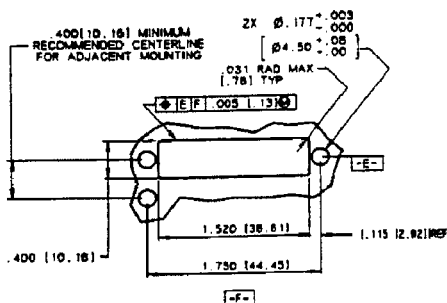
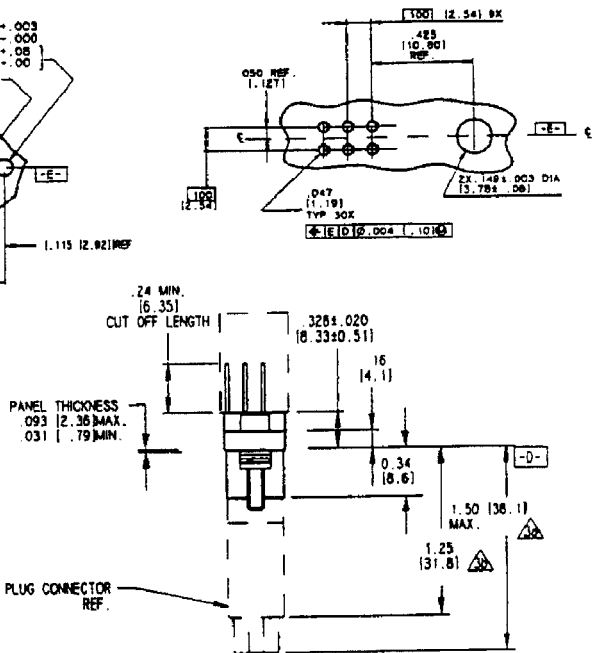


If this document is printed it becomes uncontrolled.
Check with the web for latest revision.

NOTES:

- THIS BOXMOUNT RECEPTACLE MATES WITH A MTC PLUG CONTAINING PIN INSERTS. REFER TO APPLICABLE RAYCHEM SPECIFICATION CONTROL DRAWING FOR DETAILS.
- TOLERANCES: UNLESS OTHERWISE SPECIFIED
XXX±.005(.13)
XX±.02(.5)
- FOR KEYING INFORMATION, SEE RAYCHEM DRAWING D-659-0080.
- THIS BOX MOUNT RECEPTACLE IS REAR PANEL MOUNTED BY REMOVING AS MANY PANEL WASHERS AS REQUIRED TO ACCOMMODATE THE THICKNESS OF THE PANEL BEING USED.
- LEADS PRE-TINNED WITH Sn63 SOLDER.
- DIMENSION SHOWN IS WITH MATED PLUG CONNECTOR:
 - WITH CABLE CLAMP
 - WITHOUT CABLE CLAMP AND WITHOUT EARS
- CAP SCREW INSTALLATION TORQUE 14-16 IN/LBS.

DRAWN Engineering	R TREADWELL <i>R. Treadwell</i>	APPROVED Product Manager	P CONVERS <i>[Signature]</i>	REPLACES REV. A 95FEB9
APPROVED Development	C ROLLAND <i>[Signature]</i>	APPROVED Quality Assurance	B DAVILLIERS <i>[Signature]</i>	PROJECT NUMBER CAD NAME: ECS101-1.PCX

RECOMMENDED PANEL CUT-OUT

RECOMMENDED HOLE PATTERN AND SIZE FOR PRINTED CIRCUIT BOARDS

SPECIFICATIONS:
MATERIALS:

- A. HOUSING SHELL
 B. CAP SCREW
 C. RETAINER BUSHING
 D. LOCK WASHER
 E. EME PANEL GASKET
 F. SOCKET INSERT
 G. KEYING PIN
 H. SOCKET CONTACT
 J. PANEL WASHER
 K. KEYING PIN INSERT

ALUMINUM ALLOY PER QQ-A-581
 STAINLESS STEEL PER QQ-S-763, 300 SERIES
 STAINLESS STEEL PER QQ-S-763, 300 SERIES
 STAINLESS STEEL PER MS35338, 300 SERIES
 CONDUCTIVE FLUOROSILICONE
 HIGH GRADE THERMOPLASTIC DIELECTRIC
 HIGH GRADE THERMOPLASTIC DIELECTRIC
 COPPER ALLOY 172 PER UNS-C17200
 STAINLESS STEEL PER QQ-S-763, 300 SERIES
 HIGH GRADE THERMOPLASTIC DIELECTRIC

FINISH:

- A. HOUSING SHELL
 B. CAP SCREW
 C. ADAPTER NUT
 D. PANEL WASHER
 E. SOCKET CONTACT

CADMIUM PLATED PER QQ-P-416 OVER NICKEL UNDERPLATE
 CADMIUM PLATED PER QQ-P-416
 CADMIUM PLATED PER QQ-P-416
 CADMIUM PLATED PER QQ-P-416
 ENGAGING END - GOLD PLATED PER MIL-G-45204 TYPE, GRADE C, CLASS 1
 TERMINATION POST - TINNED WITH S663 SOLDER PER QQ-S-571

DESIGN AND CONSTRUCTION:

THE CONNECTOR SPECIFIED HEREIN IS A PANEL MOUNTED RECEPTACLE WITH FIXED (NON-REMOVABLE) SOCKET INSERTS AND CONTACTS. THE CONNECTOR IS WITHOUT PROVISIONS FOR CABLE CLAMPS OR TERMINATION SEALS.

PERFORMANCE:

THE APPLICABLE RAYCHEM SPECIFICATION FOR THIS PART IS C-6111. THIS PART IS NOT QUALIFIED TO C-6111.

HUMIDITY
 ALTITUDE IMMERSION
 ALTITUDE-LOW TEMPERATURE
 FLUID IMMERSION
 CONNECTOR IS NOT PRESSURE MAINTAINING

THE CONNECTOR TERMINATION END MUST BE SUITABLY PROTECTED FOR TESTING OR APPLICATION IN ANY OF THESE ENVIRONMENTS

If this document is printed it becomes uncontrolled.
 Check with the web for latest revision.

DIMENSIONS ARE IN MILLIMETERS

DRAWN Engineering R. Treadwell	R TREADWELL R. Treadwell	APPROVED Product Manager APPROVED Quality Assurance	P CONVERTS B. DAUVILLIERS	REPLACES REV. A 93FEB9 PROJECT NUMBER CAD NAME: ECS101-2.PCX
---	------------------------------------	---	-------------------------------------	---