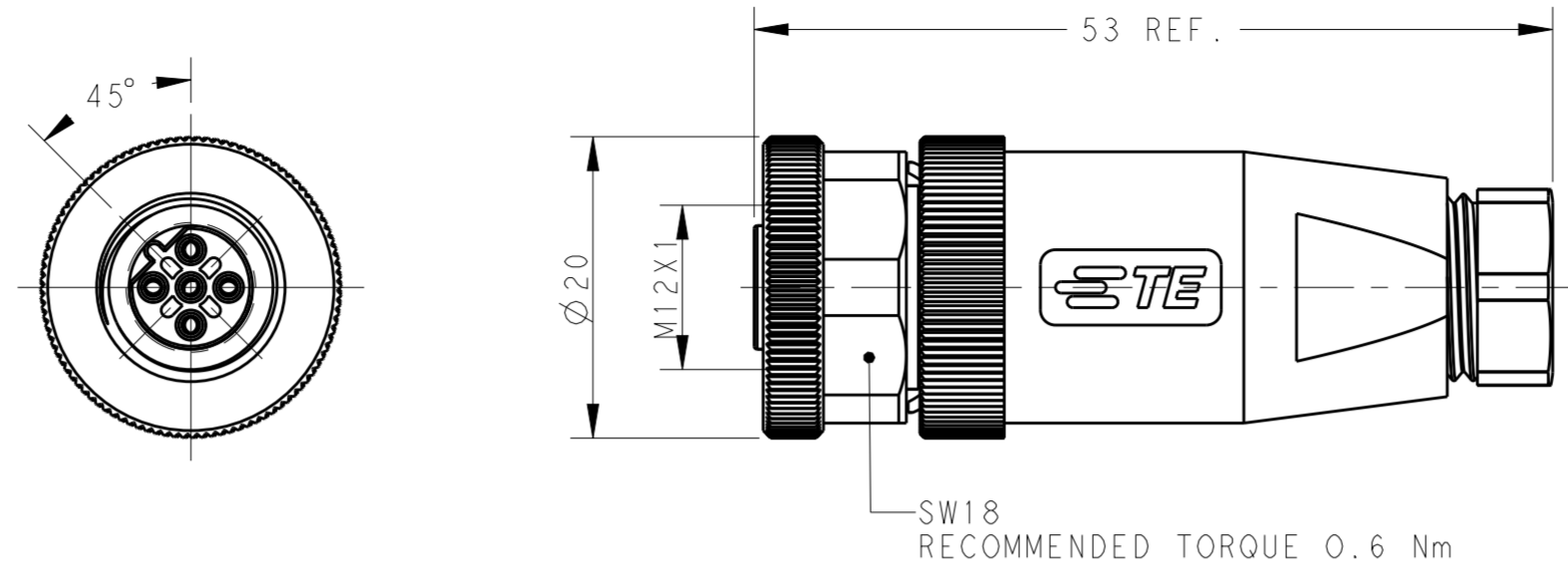


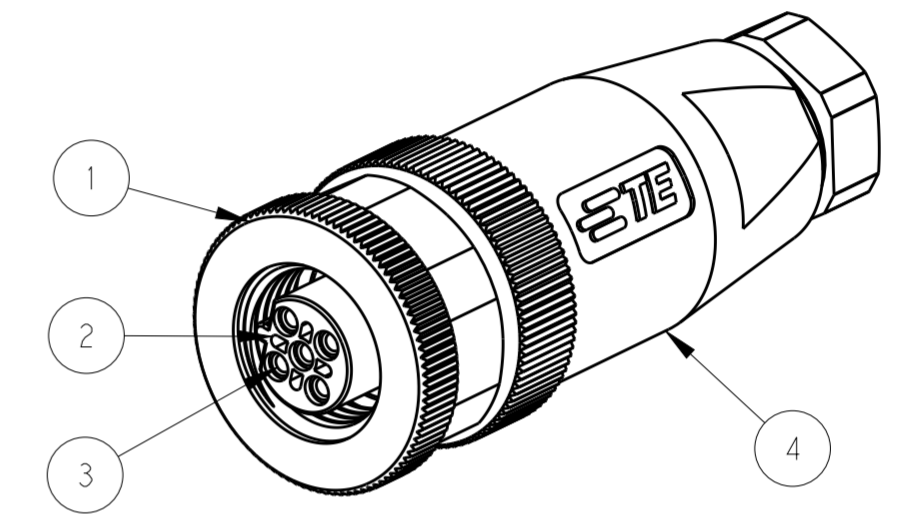
THIS DRAWING IS UNPUBLISHED. RELEASED FOR PUBLICATION 20
 © COPYRIGHT 20 BY - ALL RIGHTS RESERVED.

REVISIONS				
P	LTR	DESCRIPTION	DATE	APVD
A		INITIAL RELEASE	08JUL2015	NP XX
A1		ECR-15-018715 ADD 114SPEC.	29DEC2015	NP XX



TECHNICAL DATA	T411040X02X-000	T411040X03X-000	T411040X04X-000	T411040X05X-000
RATED VOLTAGE	250V	250V	250V	60V
RATED CURRENT	4A	4A	4A	4A
POLLUTION DEGREE	3	3	3	3
OVERVOLTAGE CATEGORY	II	II	II	II
MATERIAL GROUP	II	II	II	II
CONTACT RESISTANCE	≤8mΩ	≤8mΩ	≤8mΩ	≤8mΩ
INSULATION RESISTANCE	>100MΩ	>100MΩ	>100MΩ	>100MΩ
DEGREE OF PROTECTION	IP67	IP67	IP67	IP67
OPERATION TEMPERATURE	-40~85°C	-40~85°C	-40~85°C	-40~85°C

T4110402051-000	RPC-M12B-FS-5CON-PG9-MU
T4110401051-000	RPC-M12B-FS-5CON-PG7-MU
T4110402052-000	RPC-M12B-FS-5CON-PG9-M
T4110401052-000	RPC-M12B-FS-5CON-PG7-M
T4110402041-000	RPC-M12B-FS-4CON-PG9-MU
T4110401041-000	RPC-M12B-FS-4CON-PG7-MU
T4110402042-000	RPC-M12B-FS-4CON-PG9-M
T4110401042-000	RPC-M12B-FS-4CON-PG7-M
T4110402031-000	RPC-M12B-FS-3CON-PG9-MU
T4110401031-000	RPC-M12B-FS-3CON-PG7-MU
T4110402032-000	RPC-M12B-FS-3CON-PG9-M
T4110401032-000	RPC-M12B-FS-3CON-PG7-M
T4110402021-000	RPC-M12B-FS-2CON-PG9-MU
T4110401021-000	RPC-M12B-FS-2CON-PG7-MU
T4110402022-000	RPC-M12B-FS-2CON-PG9-M
T4110401022-000	RPC-M12B-FS-2CON-PG7-M
TE PN	SIBAS PN



- NOTE:
- MATERIAL:
 - ITEM NO.1: NUT -BRASS
 - ITEM NO.2: HOUSING -PA
 - ITEM NO.3: CONTACT -BRONZE
 - ITEM NO.4: HOUSING BODY: -PBT+GF
 - CONTACT FINISH: GOLD OVER NICKEL OR SILVER OVER NICKEL
 - CABLE WIRES: 18AWG/0.75mm² Max. FOR 2-5 PINS
 - ALLDIMENSIONS ARE FOR NOMINAL REFERENCE ONLY UNLESS OTHERWISE STATED
 - PACKAGEING: IPIECE IN A BAG
 - PN INFORMATION

PIN ARRANGEMENT B-CODE		
T411040X02X-000	T411040X03X-000	T411040X04X-000
T411040X05X-000		

T411040XXXX-000

CONTACT FINISH:
 1: GOLD OVER NICKEL
 2: SILVER OVER NICKEL

NUMBERS OF PINS:
 02: 2 PINS
 03: 3 PINS
 04: 4 PINS
 05: 5 PINS
 08: 8 PINS

CABLE OUTLET:
 1: PG7(CABLE FEED: 4-6mm)
 2: PG9(CABLE FEED: 6-8mm)

BRAND:
 T: W/ TE LOGO
 N: W/O LOGO

THIS DRAWING IS A CONTROLLED DOCUMENT.		DWN HAO WANG 08JAN2015	TE Connectivity			
		CHK KOBBY ZHAO 08JAN2015				
		APVD XIANG XU 08JAN2015	NAME M12 FEMALE, B CODE, STRAIGHT UNSHIELDED CONNECTOR SCREW TERMINAL			
DIMENSIONS: mm		PRODUCT SPEC 108-106140	SIZE A2	CAGE CODE -	DRAWING NO. C-T411040XXXX000	RESTRICTED TO -
TOLERANCES UNLESS OTHERWISE SPECIFIED: 0 PLC ± 1 PLC ±0.2 2 PLC ±0.2 3 PLC ± 4 PLC ± ANGLES ± FINISH -		APPLICATION SPEC 114-137144	SCALE 1:1	SHEET 1 OF 1	REV A1	
MATERIAL TBD		WEIGHT -	Customer Drawing			