

4

3

2

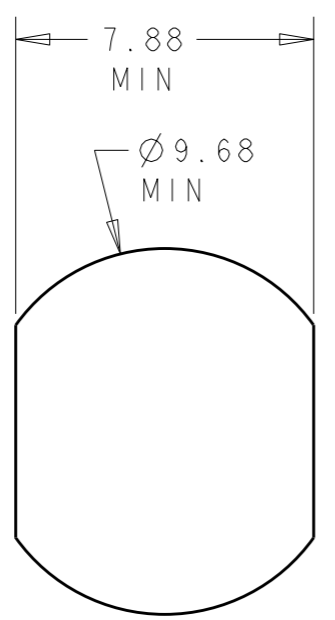
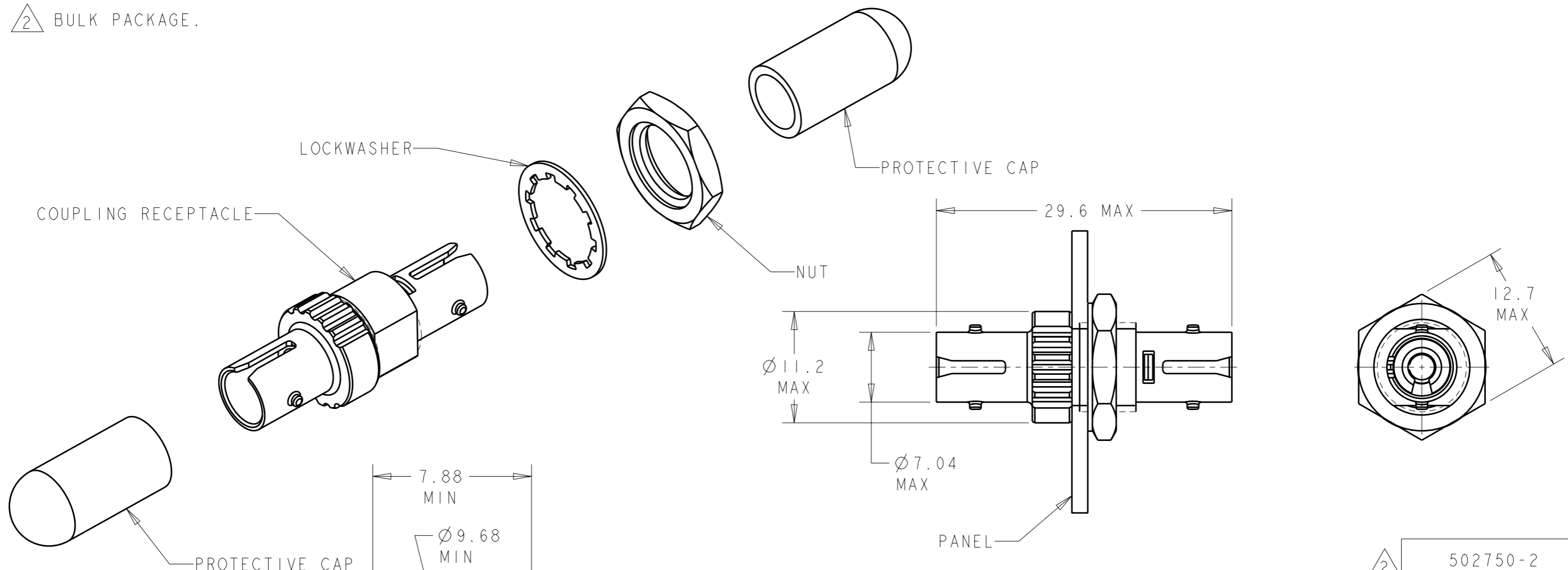
1

THIS DRAWING IS UNPUBLISHED. RELEASED FOR PUBLICATION 20
 © COPYRIGHT 20 BY - ALL RIGHTS RESERVED.

LOC	DIST	REVISIONS			
P	LTR	DESCRIPTION	DATE	DWN	APVD
CE	00	CI	REVISED PER ECO-11-005027	18MAR2011	RK HMR

1 MATERIAL:
 PROTECTIVE CAP: VINYL
 LOCKWASHER: STAINLESS STEEL
 NUT: NICKEL PLATED BRASS
 COUPLING RECEPTACLE:
 HOUSING: ZINC
 RETAINER: PBT, COLOR: WHITE, UL94 V-0 RATED AT QUALIFYING THICKNESS
 SLEEVE: CERAMIC

2 BULK PACKAGE.



SUGGESTED PANEL CUTOUT SCALE 5:1

2	502750-2
	502750-1
	PART NUMBER

THIS DRAWING IS A CONTROLLED DOCUMENT.		DWN B. BRIGGS 27OCT2005	TE Connectivity		
DIMENSIONS: mm		CHK S. BUCHTER 27OCT2005			
TOLERANCES UNLESS OTHERWISE SPECIFIED:		APVD S. BUCHTER 27OCT2005	NAME COUPLING RECEPTACLE KIT, 2.5mm BAYONET, SINGLEMODE, OPTIMATE		
0 PLC ±- 1 PLC ±- 2 PLC ±- 3 PLC ±- 4 PLC ±- ANGLES ±-		PRODUCT SPEC -	RESTRICTED TO -		
MATERIAL		APPLICATION SPEC -	SIZE A3	CAGE CODE 00779	DRAWING NO C-502750
FINISH -		WEIGHT -	SCALE 5:2 SHEET 1 OF 1 REV CI		
1		CUSTOMER DRAWING			