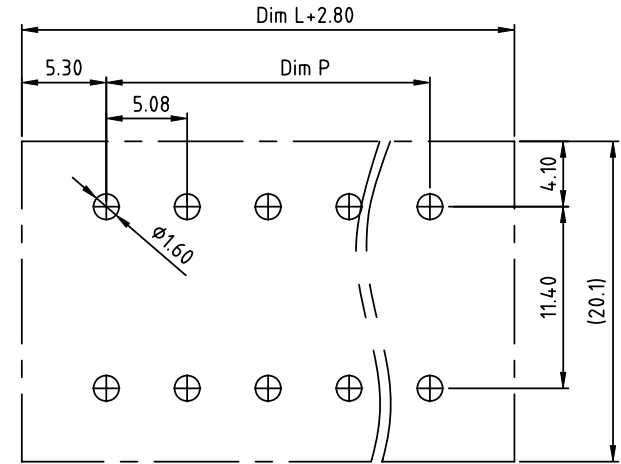
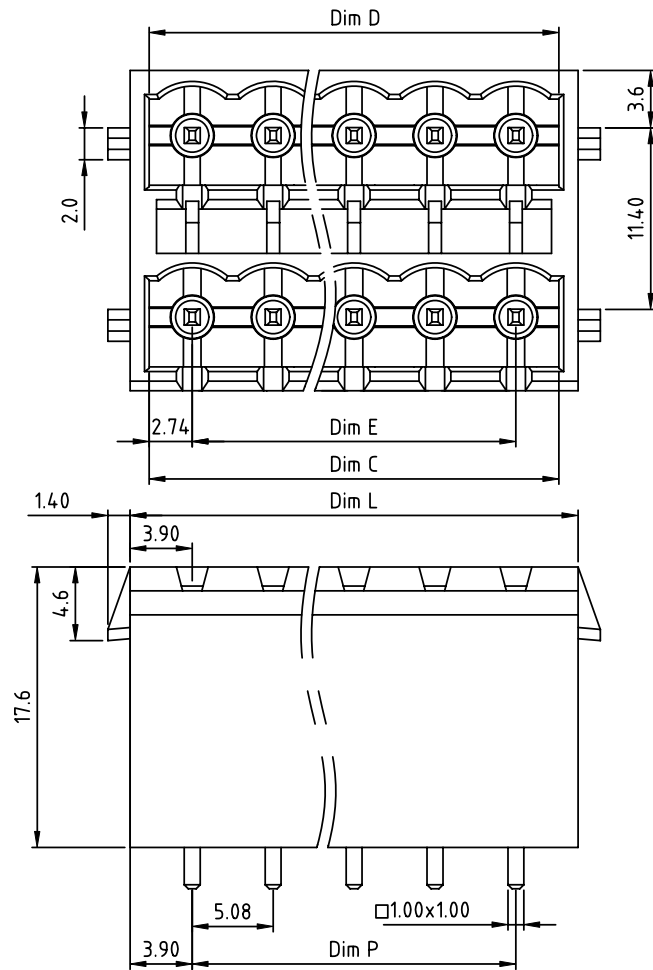


PRODUCT NUMBER	PITCH
KExx53x200J0G	5.08 mm



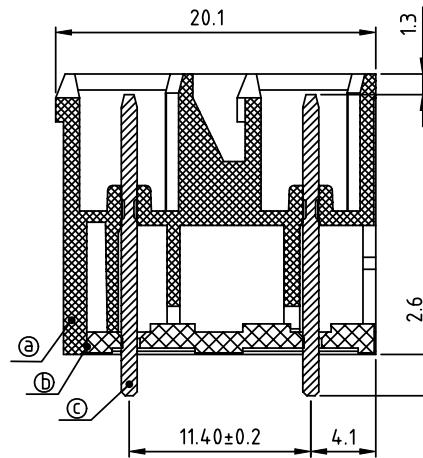
RECOMMENDED P.C.B LAYOUT
TOP VIEW

Material:

- Item ① Terminal(housing): Thermoplastic (UL94 V-0)
- Item ② Terminal(cover): Thermoplastic (UL94 V-0)
- Item ③ Pin: Copper Tin plated

Electrical:

- Voltage rating: 300V
- Current rating: 12A
- Withstanding Voltage: 1.6KV
- Operating temperature: -40°C to +115°C
- Soldering temperature: 260°C±5°C/5 Sec
- Safety Approval: US



PART NO.: KE xx 5 3 x 2 00J0 G

N=Number of poles Dim C=(N/2-1)x5.08+5.48
 Dim L=N/2x5.08+2.72 Dim D=(N/2-1)x5.08+5.48
 Dim P=(N/2-1)x5.08 Dim E=(N/2-1)x5.08

Poles	Dim L	Dim P	Dim C	Dim D	Dim E
2x2P-2x6P	±0.15	±0.15	+0.05 -0.05	+0.05 -0.05	±0.15
2x7P-2x12P	±0.25	±0.25	+0.10 -0.05	+0.10 -0.05	±0.25
2x13P-2x18P	±0.35	±0.35	+0.20 -0.05	+0.20 -0.05	±0.35
2x19P-2x24P	±0.40	±0.40	+0.25 -0.10	+0.25 -0.10	±0.40

- Solid block
- No. of poles
- 04 2x2poles
- 06 2x3poles
-
- 48 2x24poles
- Color
- 0 Black (RAL9005)
- 2 Red (RAL3001/D)
- 3 Orange(RAL2011/P)
- 4 Yellow(RAL1018/A)
- 5 Green(RAL6018/T)
- 6 Blue (RAL5015/A)
- 8 Grey(RAL7035/D)
- 9 White(RAL1102)
- C Green(RAL6018/U)
- RoHS compliant (lead<4% In copper Alloy)

mat'l. code				surface ASME Y14.5	tolerance ASME Y14.5	projection	product family TERMINAL BLOCK	
ltr	ecn	no	dr	tolerances unless otherwise specified		MM	title TERMINAL BLOCK	
				angles	X.±0.5			
				±	X.X±0.3	scale	PLUGGABLE SOCKET,VERTICAL,W/LATCH HOLDER	
				X*±1*	X.XX±0.1			
				dr	EVIN ZHONG 042414		dwg no KExx53x200J0G	
				enrg	EVIN ZHONG 042414			sheet 1 of 1
				chr	HANKE FENG 042414			size A4
				appd	SHI JUN 042414			type CUSTOMER Drawing
sheet index	revision	A						