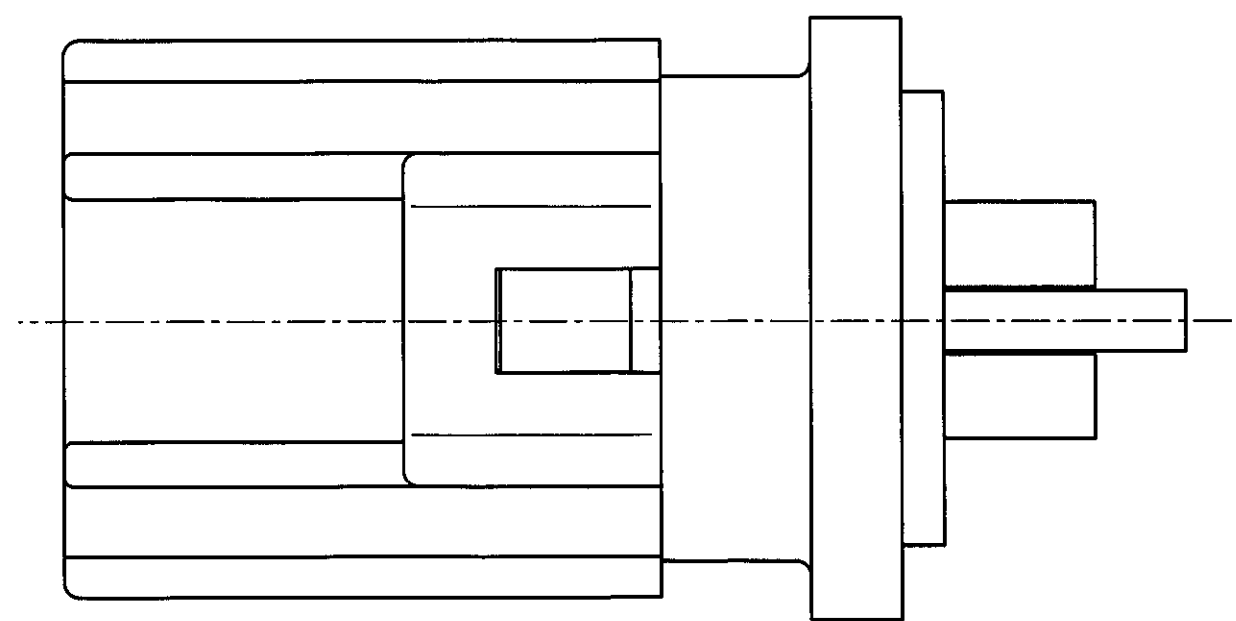
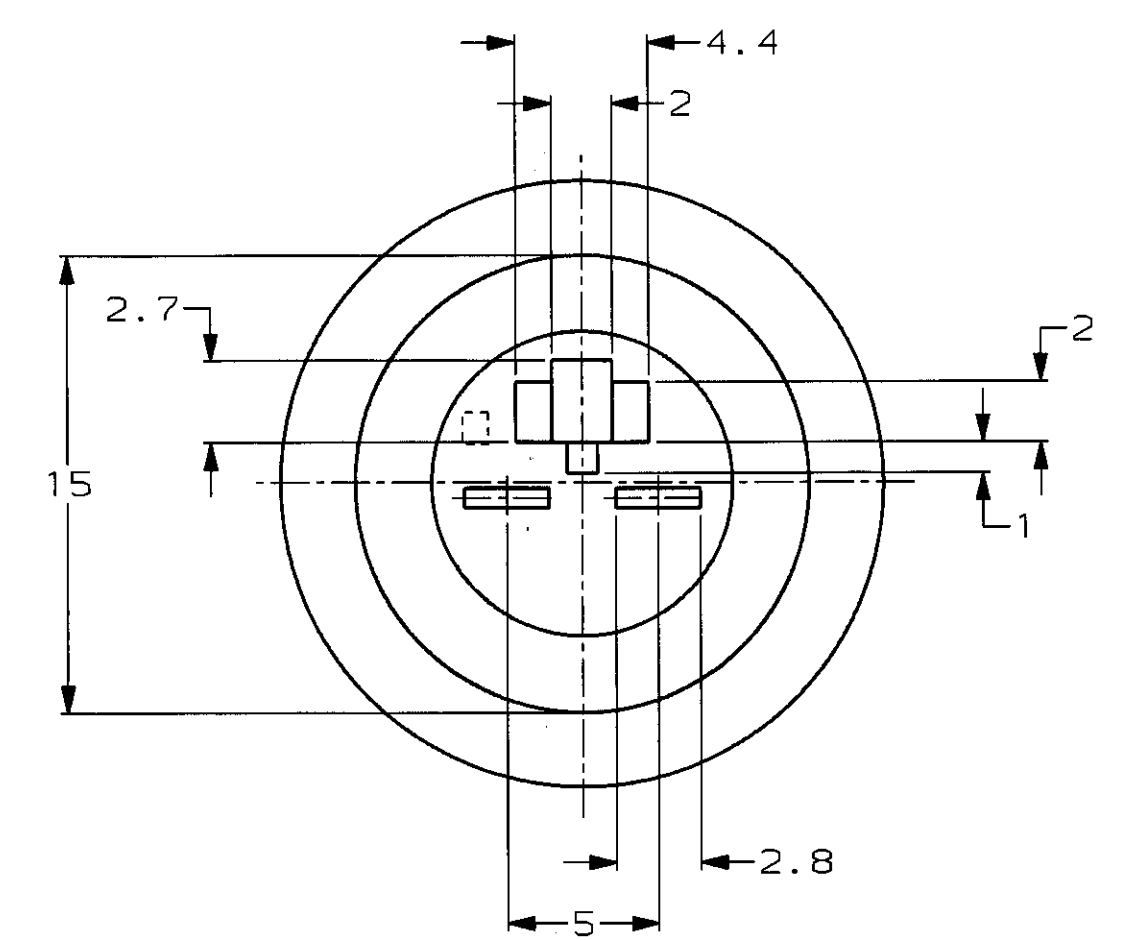
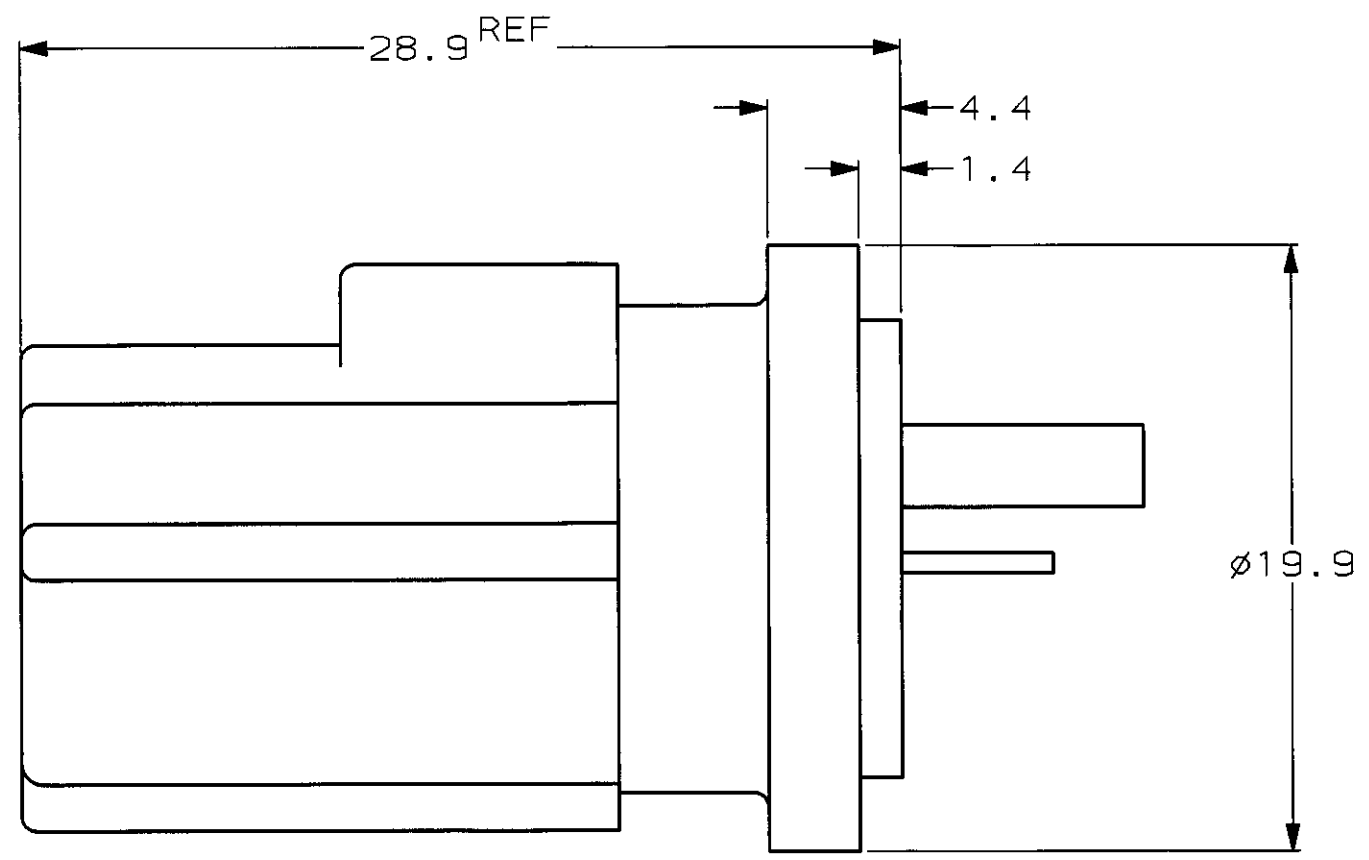
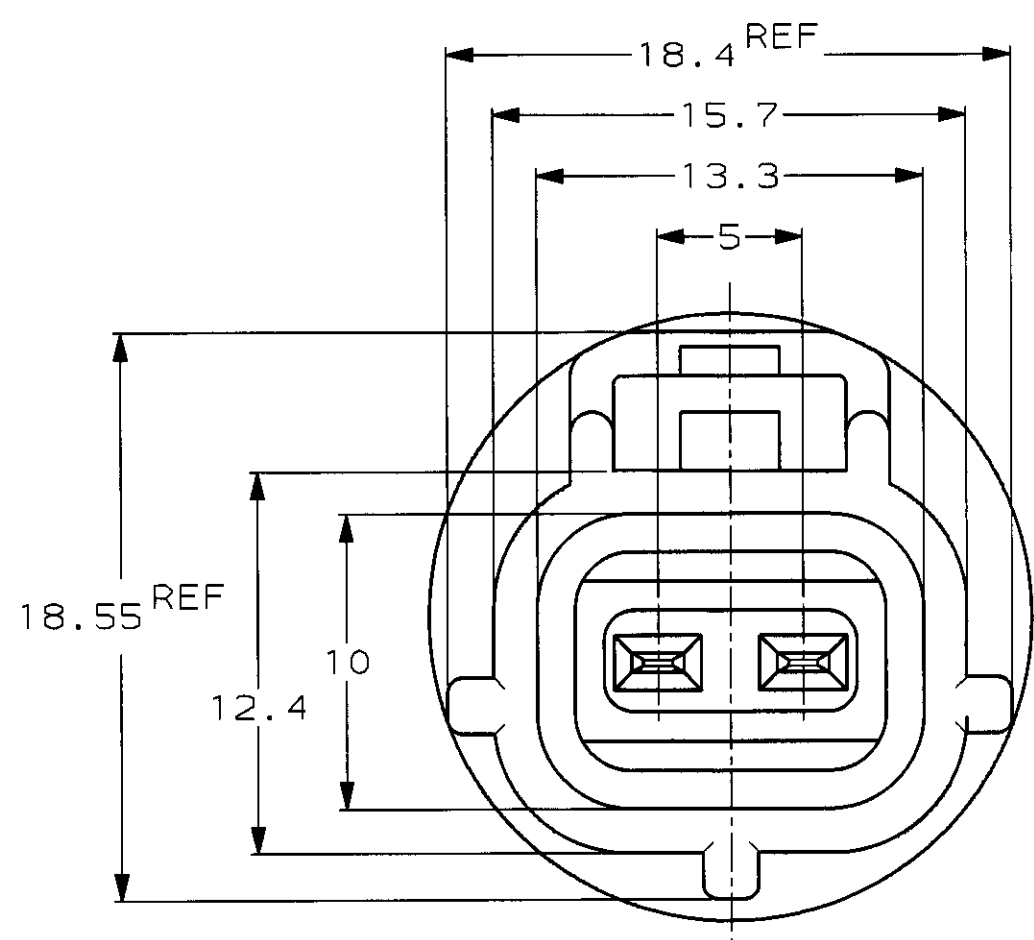


THIS DRAWING IS UNPUBLISHED. RELEASED FOR PUBLICATION ,19 .
 © COPYRIGHT 19 BY AMP INCORPORATED. ALL RIGHTS RESERVED.

LOC		DIST		REVISIONS					
P	LTR	DESCRIPTION	ECN	DATE	DWN	APVD			
	0	RELEASED	FJ00-1214-99	13JUL99	TS	KB			



-2; 本図
 -2; AS SHOWN



1. 嵌合相手型番: 178390
 1. MATING PLUG HOUSING PART NUMBER: 178390

THIS DRAWING IS A CONTROLLED DOCUMENT FOR AMP INCORPORATED. IT IS SUBJECT TO CHANGE AND THE CONTROLLING ENGINEERING ORGANIZATION SHOULD BE CONTACTED FOR THE LATEST REVISION.		DWN T. SHINOHARA 13JUL99	WIRE RANGE 嵌合電線断面積		INSULATION DIA 被覆外径
DIMENSIONS. 単位 概 mm		CHK K. BETSU 13JUL99	AMP 株式会社 Kawasaki, Japan		
TOLERANCES UNLESS OTHERWISE SPECIFIED 一般公差 10mm ±0.2 30 ±0.25 100 ±0.3 ANGLE: ±3°		APVD K. BETSU	NAME 070 SERIES EJ-II FOR SENSOR 製品規格 2POSITION CAP HOUSING ASSEMBLY B-TYPE		
MATERIAL HSG: PBT TAB: BRASS		PRODUCT SPEC 108-5355 INSTRUCTION SHEET 取扱説明書 411-5590	SIZE A2	CAGE CODE 00779	DRAWING NO C= 174365
FINISH 仕上 TAB: PRE-TIN		WEIGHT 6.65g	RESTRICTED TO ---		SCALE 尺 4:1
CUSTOMER DRAWING		SCALE 尺 4:1		SHEET 1	OF 1 REV 0

参考図面

/auto2/new/u.098-0178/1214-99/s.c-174365