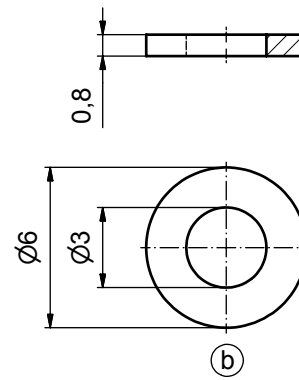
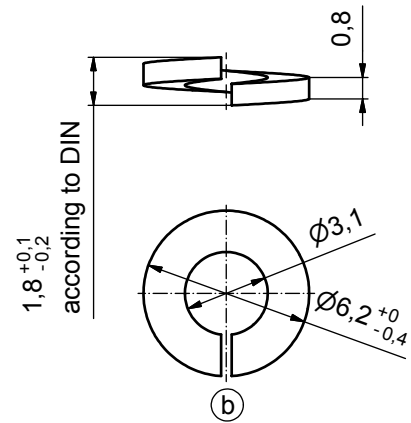


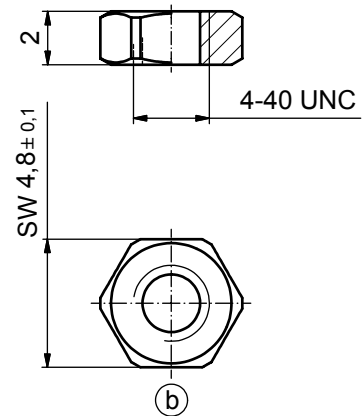
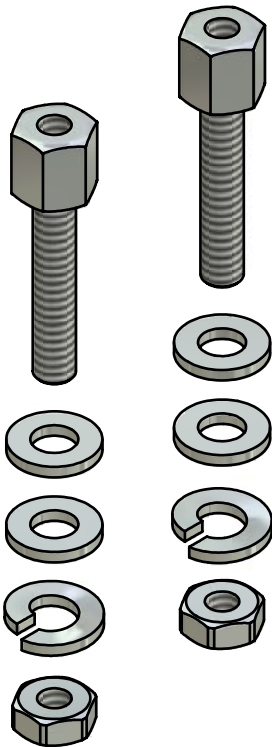
SCREW



WASHER



SPRING RING



NUT

**1 SET CONSISTS OF:**

- 2 SCREWS
- 4 WASHERS
- 2 SPRING RINGS
- 2 NUTS

Directive 2002/95/EC  
"RoHS"  
Compliant

|   |        |
|---|--------|
| APPROVAL # FREIGABE # DEBLOCAGE # AUTORIZACION # APPROVAL |        |
| CUSTOMER APPROVAL DATE:                                   |        |
| NAME:   | TITLE: |
| COMPANY NAME:   |        |
| APPROVAL # FREIGABE # DEBLOCAGE # AUTORIZACION # APPROVAL |        |

|                                  |             |          |       |
|----------------------------------|-------------|----------|-------|
| DO NOT ALTER CAD DRAWING BY HAND |             |          |       |
| 5 x b                            | A 3351      | 28.04.09 | Lehm. |
| a                                | Origin      |          |       |
| rev.                             | description | date     | name  |

|           |          |              |
|-----------|----------|--------------|
| tolerance |          | dim. in mm   |
| date      | name     |              |
| drawn     | 17.10.03 | Lehmenkühler |
| appd.     | 17.10.03 | Mickenbecker |
| norm      |          |              |
| d-old     |          |              |

|   |        |
|---|--------|
| scale: 5:1                                    |        |
| material: (b) STEEL NICKEL PLATED             |        |
| title: SCREW LOCKING Type 1 / 4-40 UNC / 19mm |        |
| dwg no: Inventor 10                           | DIN-A3 |
| 16K1A1026                                     |        |
| sh: 1   |        |
| part no: 160X10639X                           |        |

