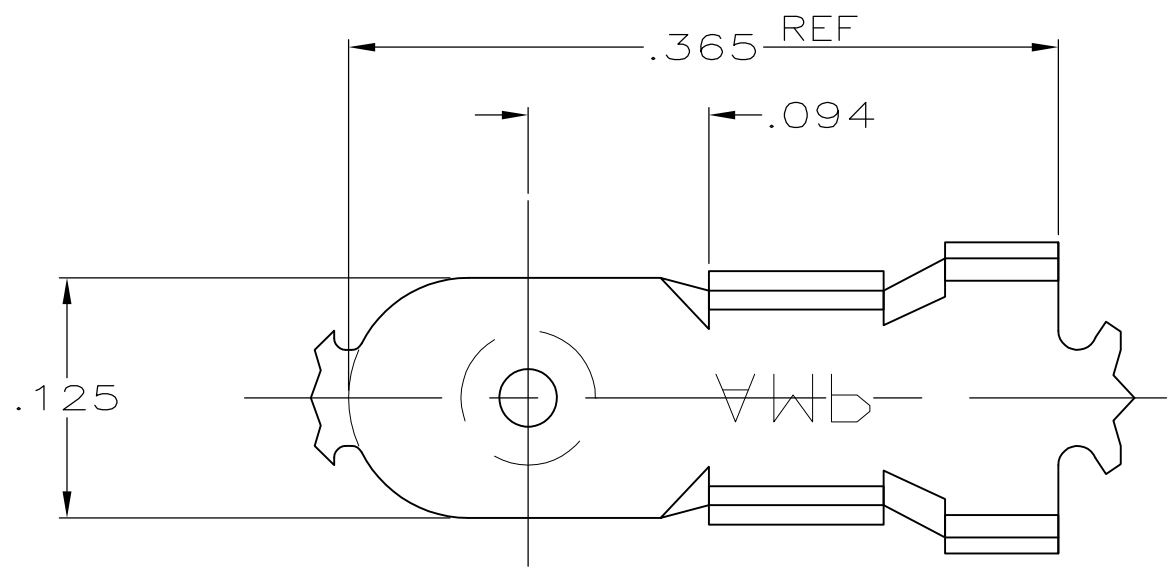
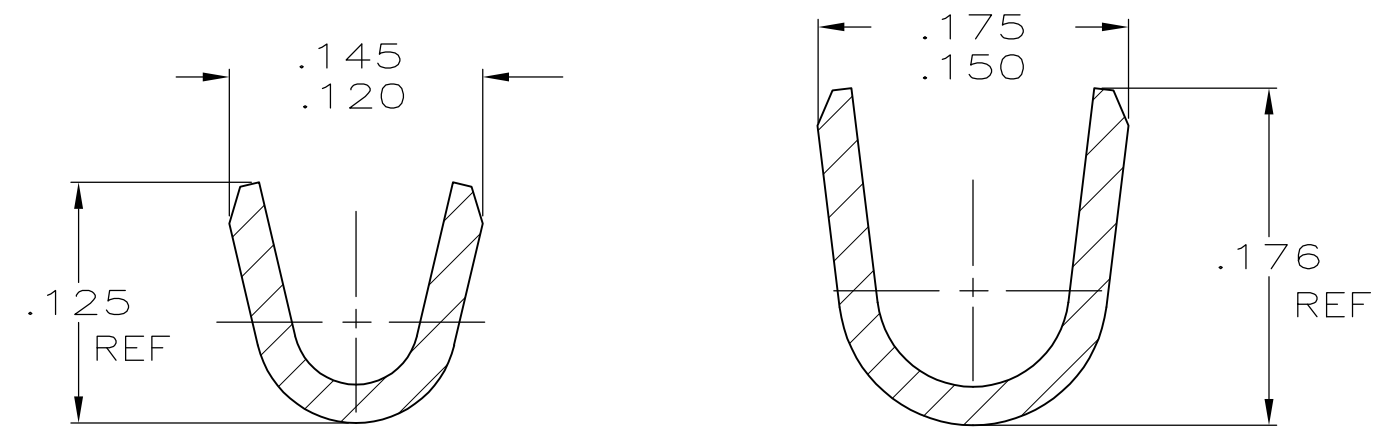
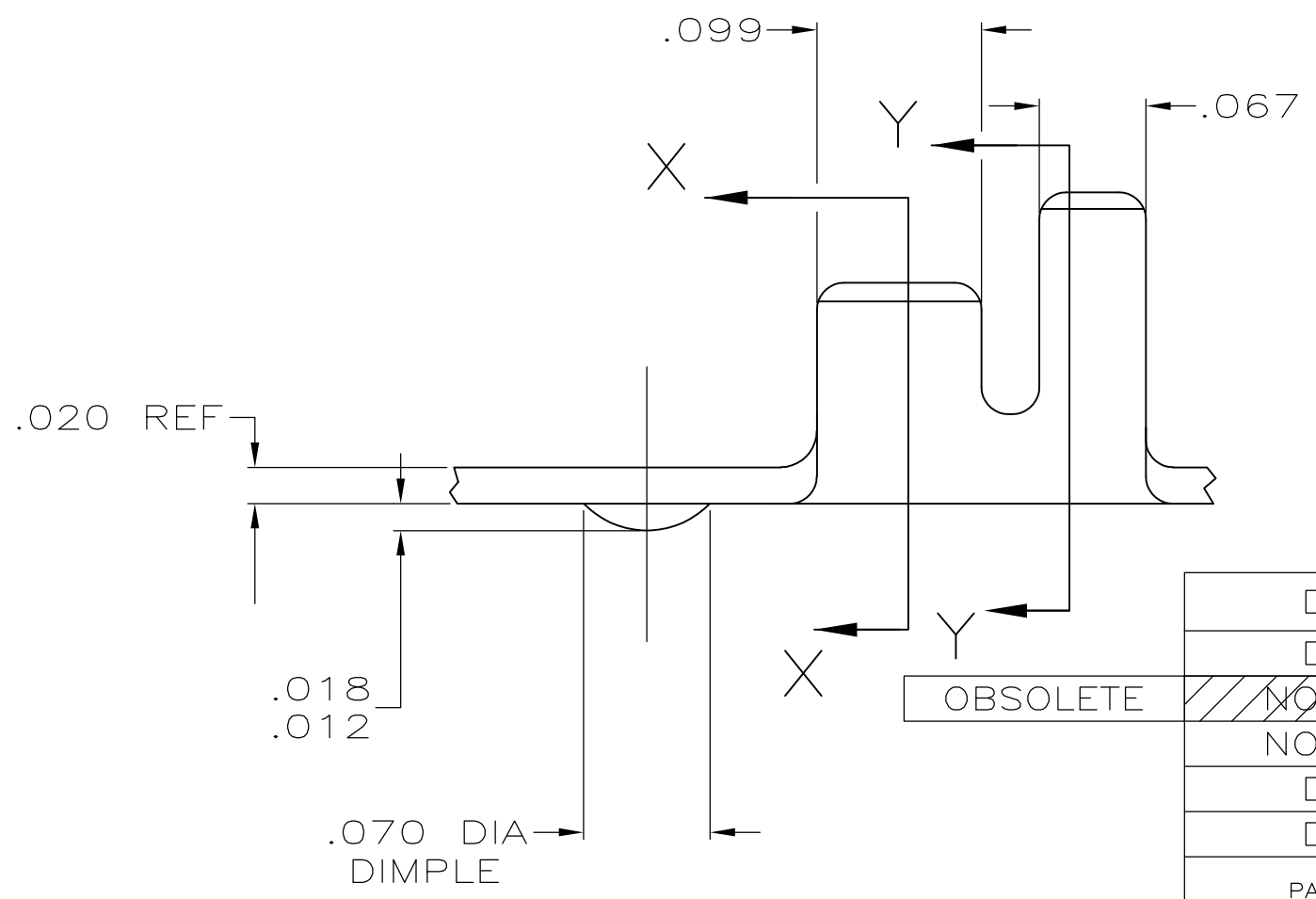


THIS DRAWING IS UNPUBLISHED. RELEASED FOR PUBLICATION
 © COPYRIGHT - By - ALL RIGHTS RESERVED.

LOC	DIST	REVISIONS					
AF	50	P	LTR	DESCRIPTION	DATE	DWN	APVD
		AF5		REVISED PER ECO 11-018422	09SEP11	JR	PD



- 1 CONTINUOUS STRIP ON REELS.
- 2 WIRE SIZE IS #20-#16 AWG.
- 3 INSULATION RANGE IS .090-.130 DIA.
- 4 .000080 MIN TIN PLATE.
- 5 COPPER FLASH BASE WITH .000005 MIN GOLD PLATE OVER .000030 MIN NICKEL UNDERPLATE.
- 6 .000100 MIN NICKEL PLATE
- 7 PRELIMINARY - NOT FOR PRODUCTION



DIMPLE	-	T4 PHOS BRONZE	7 40990-5
DIMPLE	- 6	TEMPER 3 STEEL	40990-4
NO DIMPLE	-	TEMPER 3 STEEL	40990-3
NO DIMPLE	5 -	TEMPER 3 STEEL	40990-2
DIMPLE	- 4	TEMPER 3 STEEL	40990-1
DIMPLE	-	ANNEALED UNS S43000 STAINLESS STEEL	40990
PART NUMBER	FINISH	MATERIAL	PART NUMBER

THIS DRAWING IS A CONTROLLED DOCUMENT.		DWN 26JUL2001 MICHAEL S. FEHER	STE TE Connectivity			
		CHK 26JUL2001 GARY PORTA				
DIMENSIONS: INCHES		APVD 26JUL2001 GARY PORTA	NAME			
TOLERANCES UNLESS OTHERWISE SPECIFIED:		PRODUCT SPEC	-			
0 PLC ± - 1 PLC ± - 2 PLC ± - 3 PLC ± .015 4 PLC ± - ANGLES ± -		APPLICATION SPEC	-			
MATERIAL	FINISH	WEIGHT	SIZE	CAGE CODE	DRAWING NO	RESTRICTED TO
SEE TABLE	SEE TABLE	-	A3	00779	C-40990	-
CUSTOMER DRAWING			SCALE	SHEET	REV	
			10:1	1 OF 1	AF5	