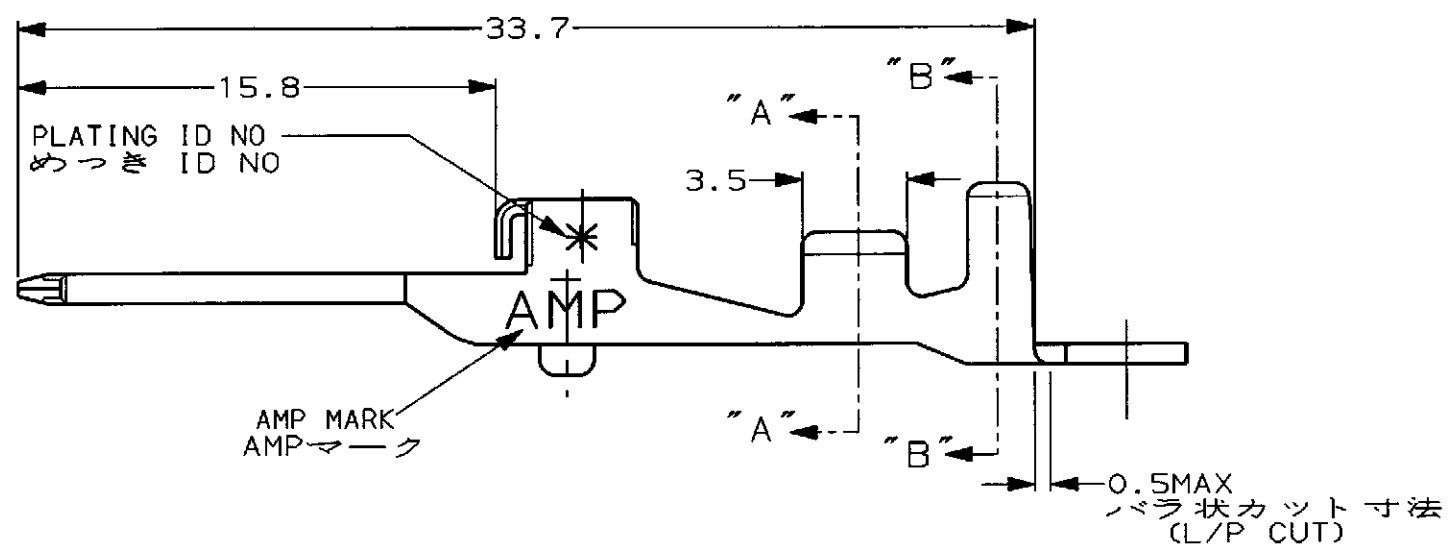
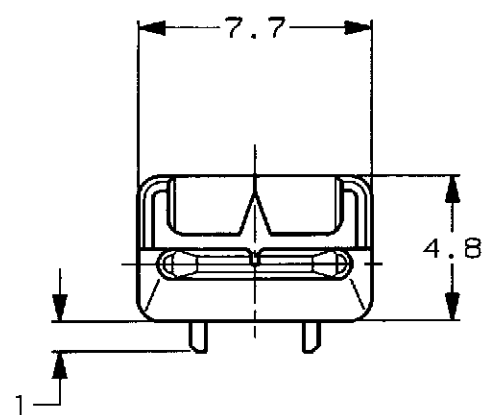
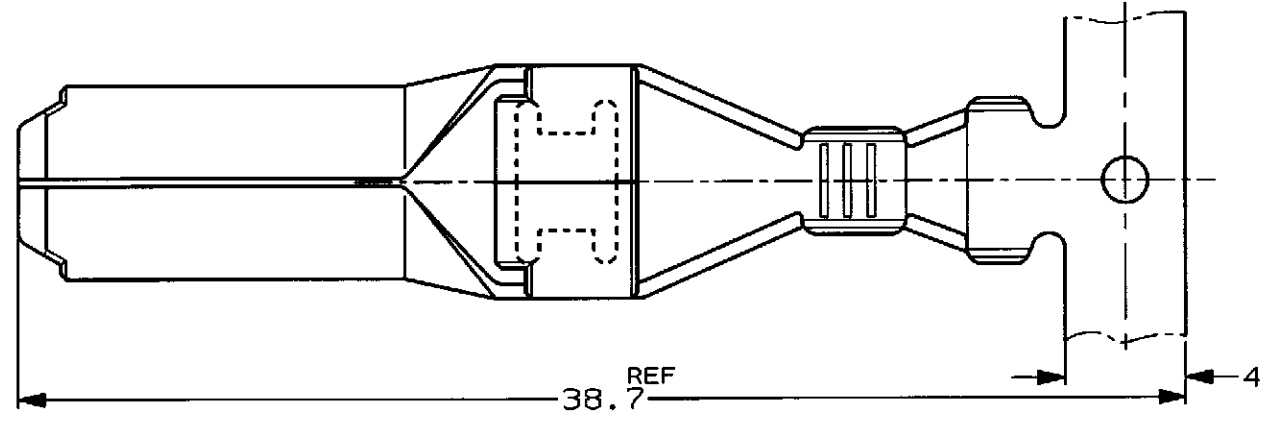
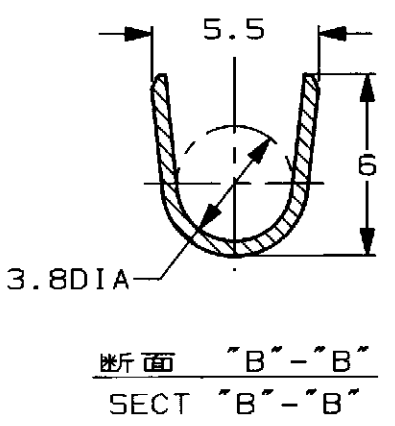
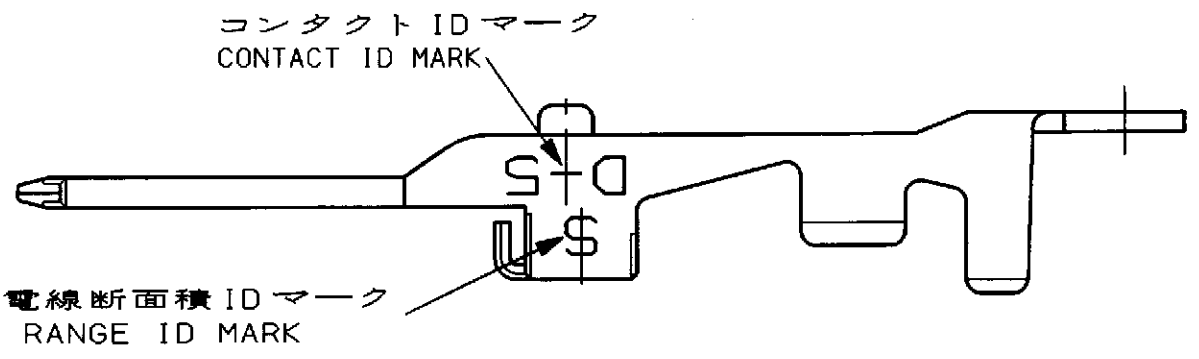
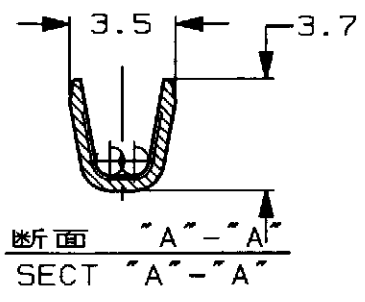


THIS DRAWING IS UNPUBLISHED. RELEASED FOR PUBLICATION ,1995  
 © COPYRIGHT 1995 BY AMP INCORPORATED. ALL RIGHTS RESERVED.

LOC		DIST		REVISIONS				
P	LTR	DESCRIPTION		ECN	DATE	DWN	APVD	
		0	RELEASED	FJ00-3551-95	1/NOV 95	K. I	S.M	



注記  
 ① めっき: コンタクト: 全面Ni下地  
 接触部: 0.38μm MIN金めっき  
 ② めっき: コンタクト: 全面Ni下地  
 接触部: 0.76μm MIN金めっき

NOTES  
 ① FINISH (CONTACT AREA): 0.38μm MIN GOLD PLATING OVER Ni PLATING  
 ② FINISH (CONTACT AREA): 0.76μm MIN GOLD PLATING OVER Ni PLATING

めっき ID NO	仕上	バラ状 L/P	連鎖状 STRIPPED
PL ID CODE <td>FINISH</td> <td colspan="2">型番 (P/N)</td>	FINISH	型番 (P/N)	

WIRE RANGE 1.23/2.27mm<sup>2</sup> INSULATION DIA 3/3.8 mm φ  
 包含電線断面積 被覆外径  
 AWG #16/#14

THIS DRAWING IS A CONTROLLED DOCUMENT FOR AMP INCORPORATED. IT IS SUBJECT TO CHANGE AND THE CONTROLLING ENGINEERING ORGANIZATION SHOULD BE CONTACTED FOR THE LATEST REVISION.		DWN 31/OCT/95 K. IKEDA
DIMENSIONS: 単位: 純 mm		CHK 3/OCT/95 Y. Ishikawa
TOLERANCES UNLESS OTHERWISE SPECIFIED 一般公差 10μm ±0.3 30μm ±0.35 100μm ±0.4 ANGLE ±3°		APVD 1/NOV/95 S. MURASE
MATERIAL 銅合金 (COPPER ALLOY)		PRODUCT SPEC 108-5453
FINISH 仕上 SEE TABLE 表参照		APPLICATION SPEC 114-5206
		WEIGHT T1
		CUSTOMER DRAWING

<b>AMP</b> 日本エー・エム・ピー株式会社 Kawasaki, Japan		
NAME 名称 TAB CONTACT "S" SIZE タブ コンタクト "S" サイズ <DYNAMIC D-5000 SERIES>		
SIZE A3	CAGE CODE 00779	DRAWING NO 番号 917802
SCALE 尺度 4-1		SHEET 1 OF 1 REV 0