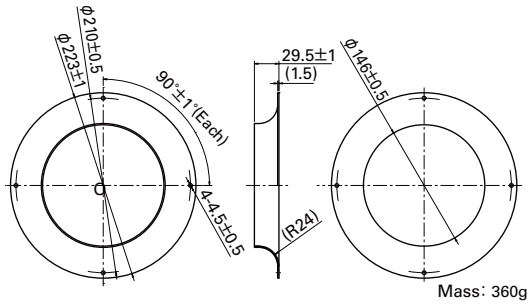


Nozzle mounted in fan inlet side to adjust the flow of introduced air. Material: Steel sheet

**Dimensions** (unit : mm)

**φ225mm type**

Model : 109-1134 Surface treatment : Electro nickel plating (silver) Color



**Mounting example**

Centrifugal fan

