



## Features

- Long life carbon element
- Assortment of resistance tapers
- 60 and 100 mm travel lengths
- Touch sense lever
- PC terminals or snap-in connector option



## PSM Series Motorized Slide Potentiometer

### Electrical Characteristics

Standard Resistance Range  
 ..... 1K ohms to 1 megohm  
 Standard Resistance Tolerance... ±20 %  
 End Resistance ..... 20 ohms max.  
 Insulation Resistance @ 250 VDC  
 ..... 100 megohms min.  
 Dielectric Withstanding Voltage  
 ..... 250 VAC  
 Standard Taper ..... Linear, Audio  
 Power Rating - Linear ..... 0.5 watt  
 Power Rating - Audio ..... 0.25 watt  
 Slider Noise ..... 47 mV max.  
 Touch Sense Track  
 Conductive Resistance  
 Snap-in Connector..... 2 ohms max.  
 PC Terminal  
 TR > 30k ohms...0.1 % of TR max.  
 TR ≤ 30k ohms..... 30 ohms max.

### Environmental Characteristics

Operational Life ..... 100,000 cycles  
 TR Shift ..... ±15 %  
 Operating Temperature Range  
 ..... -10 °C to +55 °C  
 Resistance to Solder Heat..... ±5 %

### Mechanical Characteristics

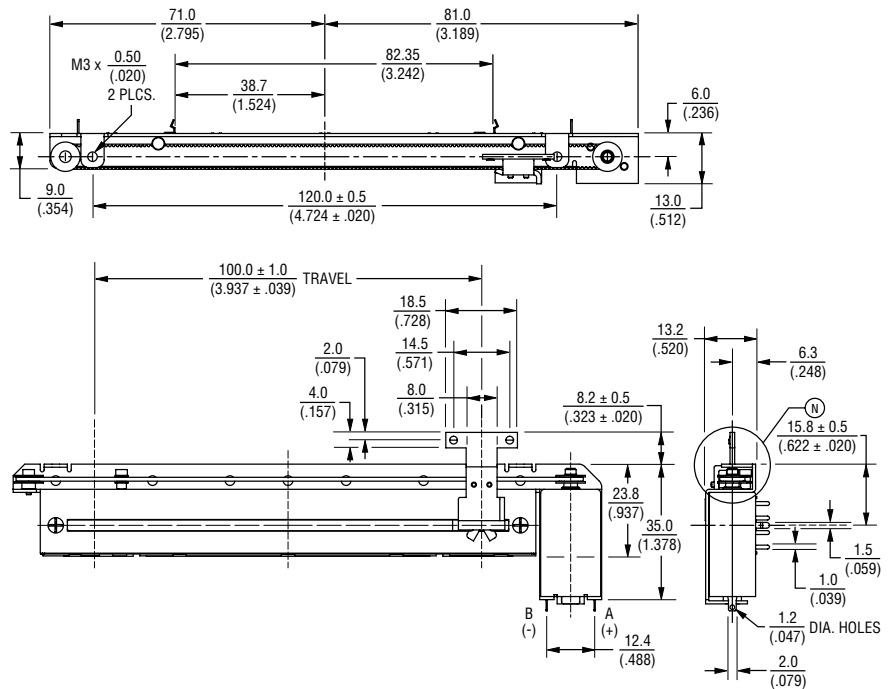
Mechanical Travel  
 ..... See Product Dimensions  
 Operating Force  
 100 mm Travel..... 30-130 gf  
 60 mm Travel..... 10-110 gf  
 Stop Strength ..... 5 kgf min.  
 Shaft Wobble  
 100 mm Travel..... 1.3 mm p-p max.  
 60 mm Travel..... 1.6 mm p-p max.  
 Soldering Condition  
 Manual ..... 350 °C ±5 °C for 3 sec.  
 Wave ..... 260 °C ±5 °C for 5 sec.  
 Wash ..... Not recommended

### Motor Drive Characteristics

Rated Voltage ..... 10 VDC  
 Operating Voltage Supply .. 6 to 11 VDC  
 Starting Current ..... 800 mA max.  
 Lever Speed @ 10 VDC  
 ..... 20 mm/0.1 sec.

### Product Dimensions

#### PC Terminals - 100 mm Travel



## Applications

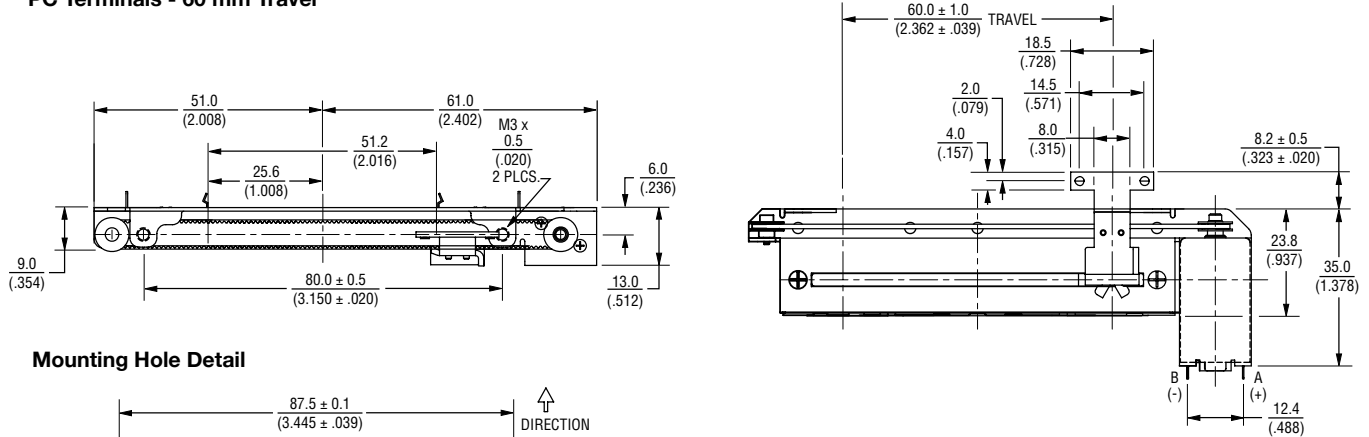
- Audio mixing consoles
- Broadcast mixing consoles

# PSM Series Motorized Slide Potentiometer

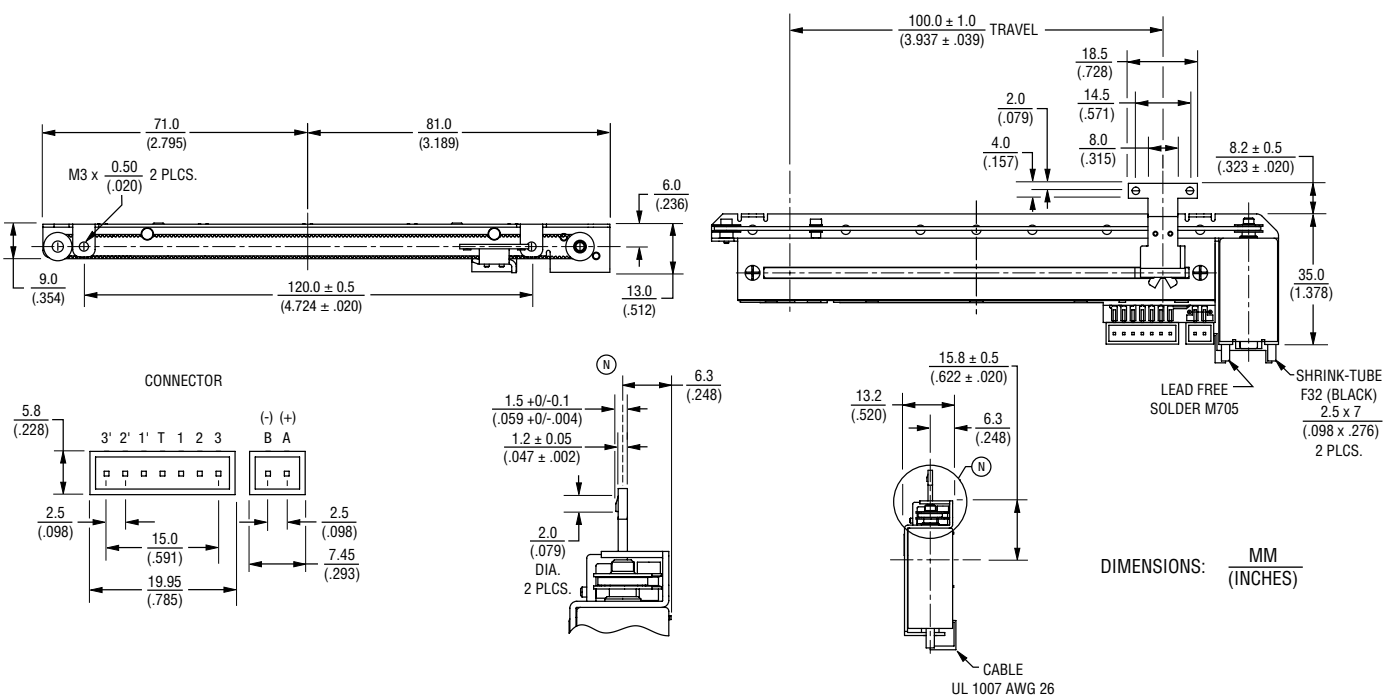
**BOURNS®**

## Product Dimensions

### PC Terminals - 60 mm Travel



### Snap-in Connector - 100 mm Travel



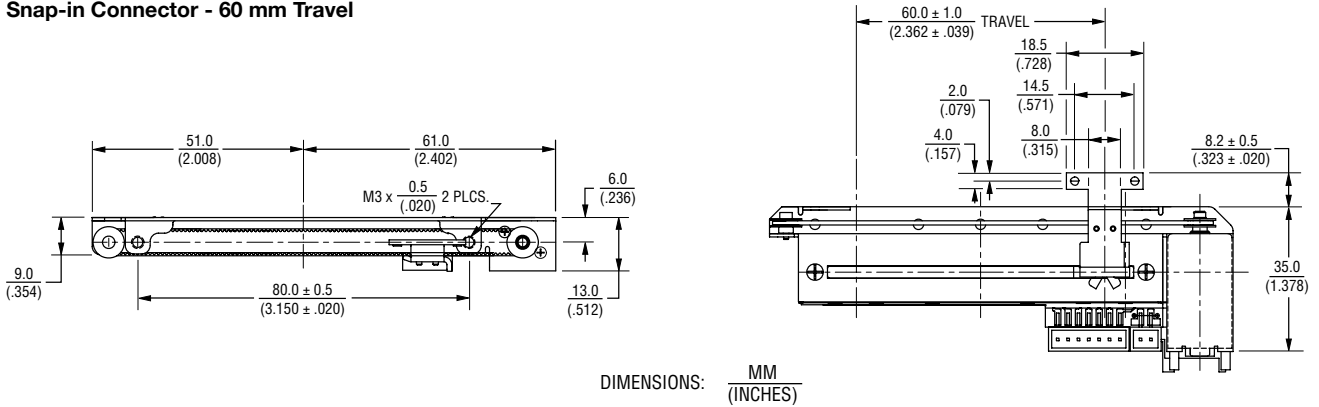
Specifications are subject to change without notice.  
The device characteristics and parameters in this data sheet can and do vary in different applications and actual device performance may vary over time.  
Users should verify actual device performance in their specific applications.

# PSM Series Motorized Slide Potentiometer

**BOURNS®**

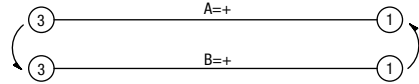
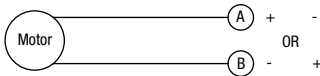
## Product Dimensions

### Snap-in Connector - 60 mm Travel



## Schematics

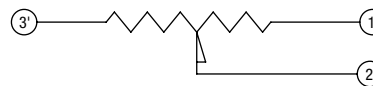
### Motor



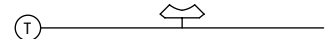
### Line Track (R1)



### Servo Track (R2)



### Touch Sense Track



## Standard Resistance Table

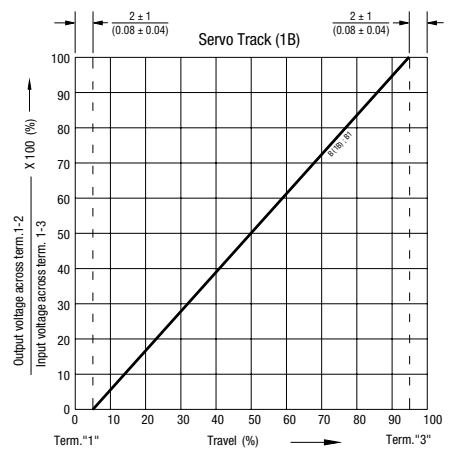
| Resistance (Ohms) | Resistance Code |
|-------------------|-----------------|
| 1,000             | 102             |
| 2,000             | 202             |
| 5,000             | 502             |
| 10,000            | 103             |
| 20,000            | 203             |
| 50,000            | 503             |
| 100,000           | 104             |
| 200,000           | 204             |
| 500,000           | 504             |
| 1,000,000         | 105             |

## How To Order

**PSM 01 - 08 2 A - 103 B2**

Model Number \_\_\_\_\_  
 Designator \_\_\_\_\_  
 PSM = Motorized Slide Potentiometer  
 Length of Travel \_\_\_\_\_  
 01 = 100 mm  
 60 = 60 mm  
 Lever Length \_\_\_\_\_  
 08 = 8.2 mm  
 Terminal Type \_\_\_\_\_  
 1 = PC Terminals  
 2 = Snap-in Connector  
 Lever End Style \_\_\_\_\_  
 A = Metal Lever (Refer to Drawing)  
 Resistance Code \_\_\_\_\_  
 (See Standard Resistance Table)  
 Resistance Taper (See Taper Charts) \_\_\_\_\_  
 Taper Series followed by Curve Number

## Servo Track Output Chart



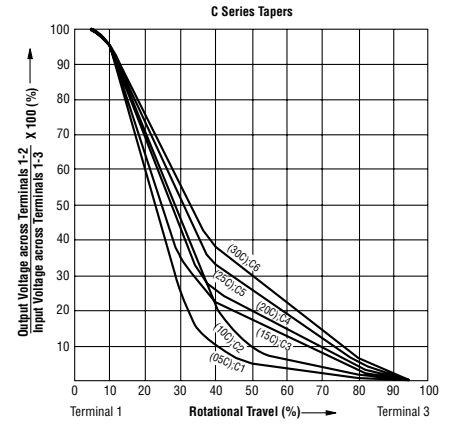
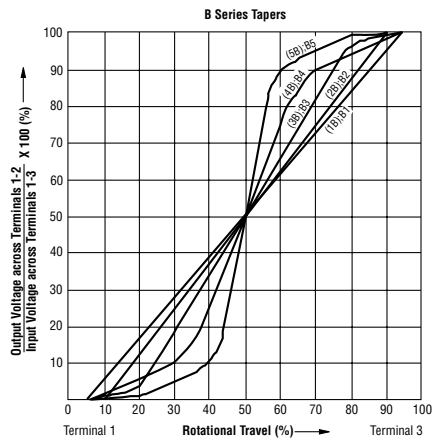
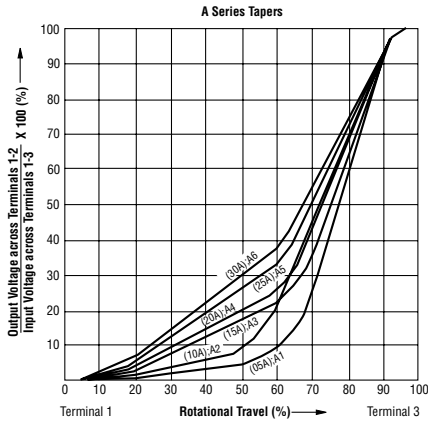
Specifications are subject to change without notice.

The device characteristics and parameters in this data sheet can and do vary in different applications and actual device performance may vary over time. Users should verify actual device performance in their specific applications.

# PSM Series Motorized Slide Potentiometer

**BOURNS®**

## Tapers



**BOURNS®**

Asia-Pacific: Tel: +886-2 2562-4117 • Fax: +886-2 2562-4116

EMEA: Tel: +36 88 520 390 • Fax: +36 88 520 211

The Americas: Tel: +1-951 781-5500 • Fax: +1-951 781-5700

[www.bourns.com](http://www.bourns.com)

REV. 01/18/16

Specifications are subject to change without notice.  
The device characteristics and parameters in this data sheet can and do vary in different applications and actual device performance may vary over time.  
Users should verify actual device performance in their specific applications.