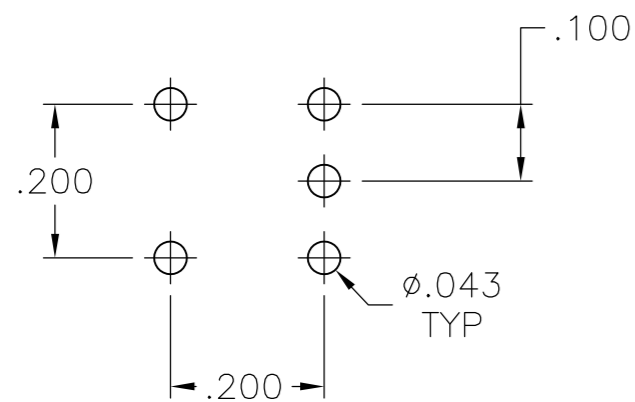
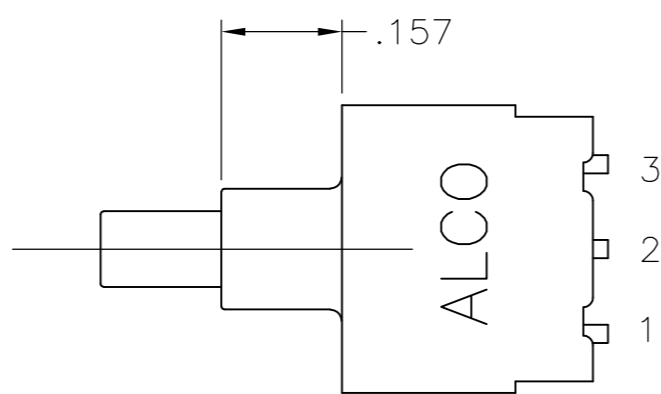


THIS DRAWING IS UNPUBLISHED. RELEASED FOR PUBLICATION
 © COPYRIGHT BY TYCO ELECTRONICS CORPORATION. ALL RIGHTS RESERVED.

LOC	DIST	REVISIONS			
P	LTR	DESCRIPTION	DATE	DWN	APVD
AD	00	B	REVISED PER ECO-07-029643	1/22/08	SS MW



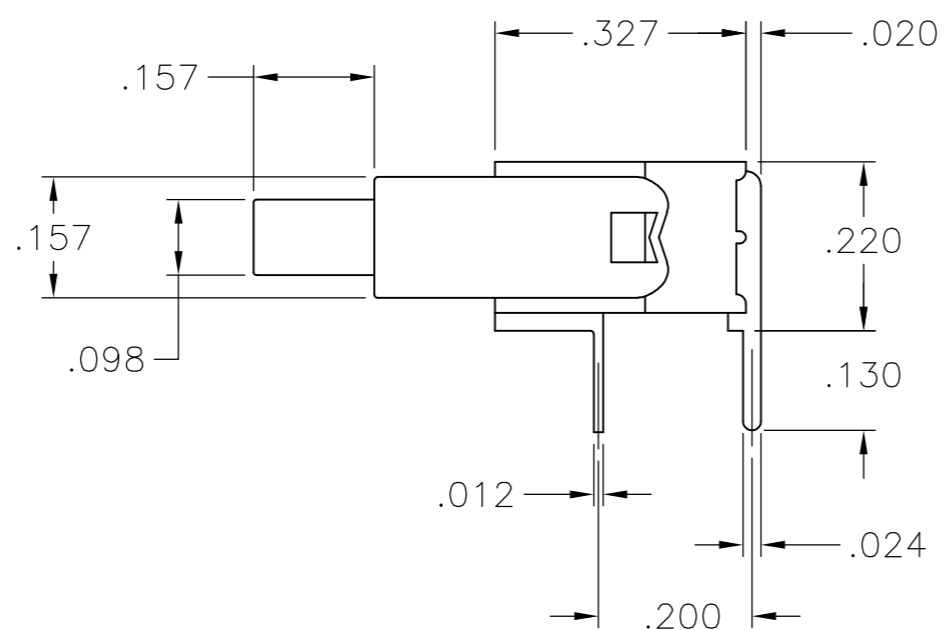
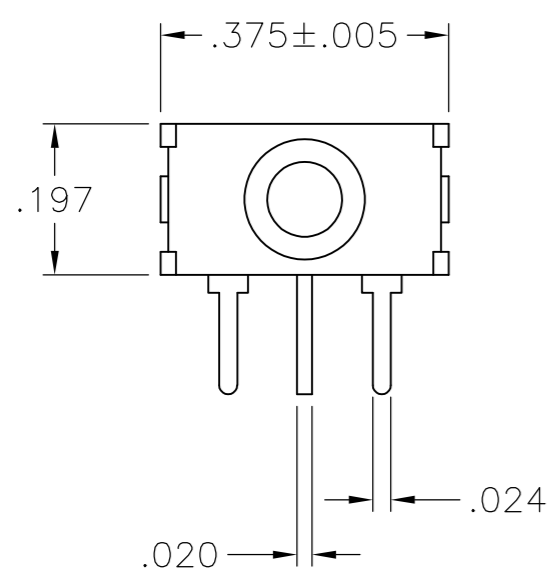
P.C.HOLE LAYOUT



NO, CENTER TERMINAL ON 'B' OR 'C' ACTION SWITCHES.

NOTES

1. TERMINAL NUMBERS ARE FOR REFERENCE ONLY AND DO NOT APPEAR ON SWITCHES
2. ALL MATERIALS AND FINISHES SHALL COMPLY WITH EU DIRECTIVE 2003/95/EC OF 27JAN2003 (ROHS)



MATERIALS		
COMPONENT NAME	BASE MATERIAL	FINISH
HOUSING	PBT, UL94 V-0, GRAY	
FRAME	BRASS	NICKEL
SUPPORT BRACKET	PHOSPHOR BRONZE	TIN
BUTTON	PBT, UL94 HB, BLACK	
MOVABLE CONTACT	PHOSPHOR BRONZE	GOLD OVER NICKEL
TERMINAL (CONTACT AREA)	PHOSPHOR BRONZE	GOLD OVER NICKEL
TERMINAL (SOLDER AREA)	PHOSPHOR BRONZE	GOLD OVER NICKEL

SPECIFICATIONS	
CURRENT RATING, MAX.	50mA @ 48 VDC OR PEAK AC (2.4VA)
CURRENT RATING, MIN.	1µA @ 20 VDC OR PEAK AC (.02VA)
TERMINATION RESISTANCE	50 MILLIOHMS MAX. AT 1.5mA 200µVAC
INSULATION RESISTANCE	1000 MEGOHMS MIN. @ 500 VDC
DIELECTRIC WITHSTANDING VOLTAGE	500 V RMS AT SEA LEVEL
OPERATING TEMPERATURE	-20°C to +85°C
STORAGE TEMPERATURE	-40°C to +85°C
PLUNGER TRAVEL	.047±.010
ELECTRICAL LIFE	
50mA @ 48 VDC OR PEAK AC	10,000 CYCLES
1µA @ 20 VDC OR PEAK AC	50,000 CYCLES
.4VA MAX @ 20 VDC OR PEAK AC	

OFF	1-3	(OFF)	ON	.157	RA	1	1	APB1BGRA04	1825177-3
2-1	2-3	(ON)	ON	.157	RA	2	1	APB1FGRA04	1825177-2
1-3	OFF	(ON)	OFF	.157	RA	1	1	APB1CGRA04	1825177-1
				ACTUATOR LENGTH	TERMINAL	THROWS	POLES	ALCO P/N	PART NUMBER
TERMINALS CONNECTED		FUNCTION							

THIS DRAWING IS A CONTROLLED DOCUMENT. DWN MOHAN 03DEC05
 CHK -
 APVD -
 PRODUCT SPEC -
 APPLICATION SPEC -
 MATERIAL - FINISH -
 WEIGHT -
 CUSTOMER DRAWING

TOLERANCES UNLESS OTHERWISE SPECIFIED:
 0 PLC ± -
 1 PLC ± -
 2 PLC ± -
 3 PLC ± .010
 4 PLC ± -
 ANGLES ± 3°

Tyco Electronics Tyco Electronics Corporation
 Harrisburg, PA 17105-3608

APB SERIES PUSHBUTTON SWITCH, RA TERMINALS, 1 POLE

SIZE A2 CAGE CODE 00779 DRAWING NO. 1825177 RESTRICTED TO -
 SCALE 4:1 SHEET 1 of 1 REV B