

注記 NOTE

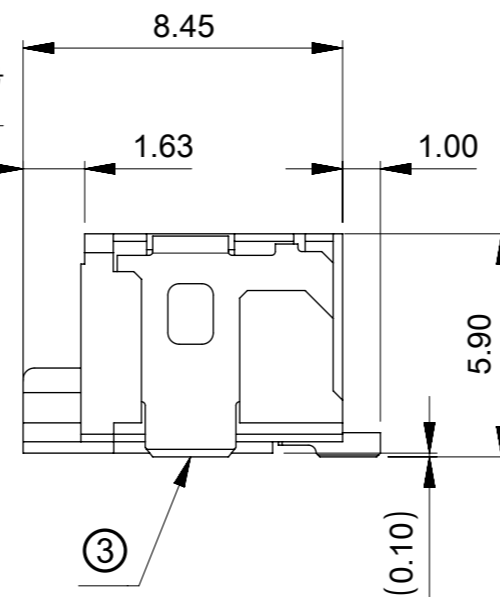
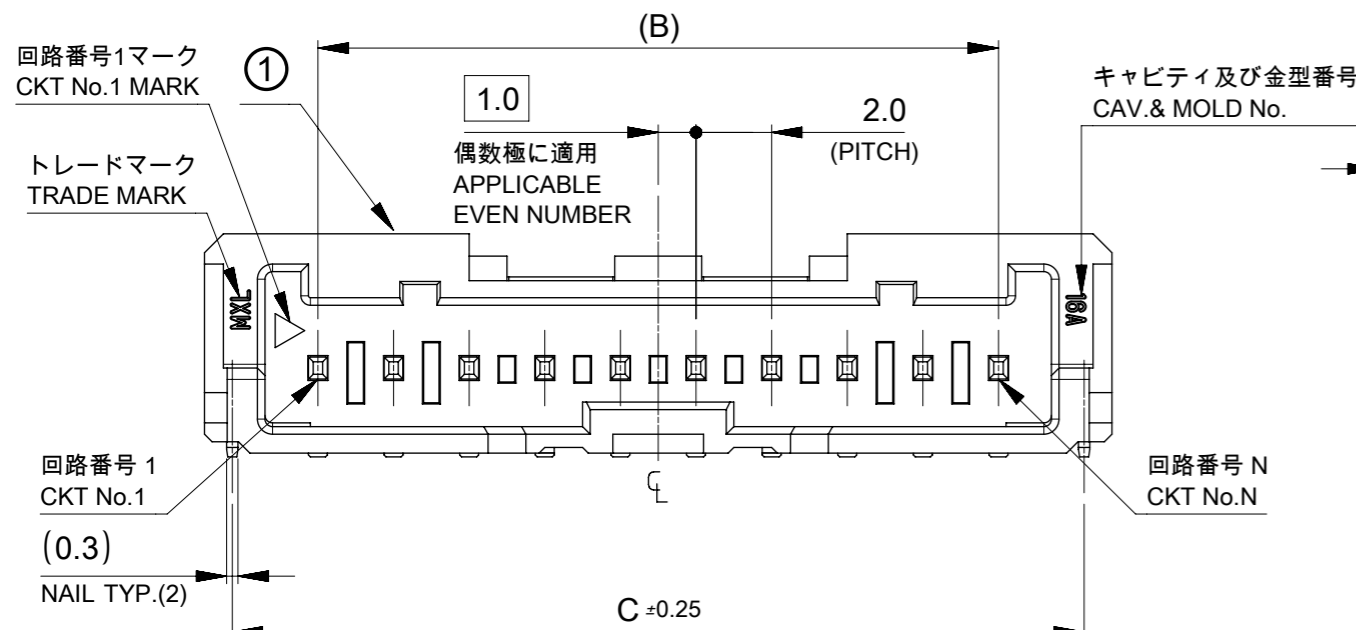
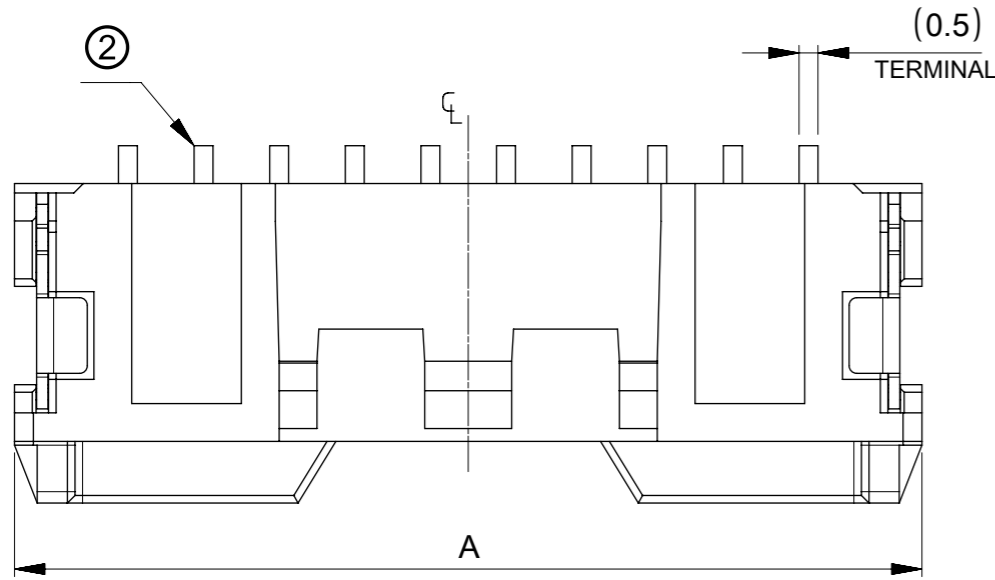
1. 嵌合相手 : 505570シリーズ
MATING WITH:505570SERIES
2. エンボス梱包品の詳細は5055780001PSD001を参照
DETAILED TAPING PACKAGE, SEE 5055780001PSD001.
3. アプリケーション仕様書 (コネクタ取扱い説明書)
: 5055700001PSA02, 5055700001PSA03
APPLICATION SPECIFICATION(CONNECTOR MANUAL)
: 5055700001PSA02, 5055700001PSA03
4. 製品仕様書:5055700001PS001
PRODUCT SPECIFICATION:5055700001PS001

5. 製品番号 MATERIAL No.

505578**7*

極数 CIRCUIT SIZE	色 COLOR	No.	COLOR
		0	NATURAL
		1	BLACK

6. ターミナルとネイルの平坦度は0.1mm以下
TERMINAL AND NAIL COPLANARITY:0.1mm MAX.
7. ELV & RoHS 適合品
ELV & RoHS COMPLIANT



30.0	14.0	34.53	30.0	36	5055781671	5055781670	16
28.0	14.0	32.53	28.0	34	5055781571	5055781570	15
26.0	14.0	30.53	26.0	32	5055781471	5055781470	14
24.0	14.0	28.53	24.0	30	5055781371	5055781370	13
22.0	14.0	26.53	22.0	28	5055781271	5055781270	12
20.0	14.0	24.53	20.0	26	5055781171	5055781170	11
18.0	10.0	22.53	18.0	24	5055781071	5055781070	10
16.0	10.0	20.53	16.0	22	5055780971	5055780970	9
14.0	10.0	18.53	14.0	20	5055780871	5055780870	8
12.0	10.0	16.53	12.0	18	5055780771	5055780770	7
10.0	10.0	14.53	10.0	16	5055780671	5055780670	6
8.0	5.5	12.53	8.0	14	5055780571	5055780570	5
6.0	5.5	10.53	6.0	12	5055780471	5055780470	4
4.0	3.5	8.53	4.0	10	5055780371	5055780370	3
2.0	3.5	6.53	2.0	8	5055780271	5055780270	2
E	D	C	B	A	ハウジング 黒色 HSG COLOR BLACK	ハウジング ナチュラル HSG COLOR NATURAL	極数 CIRCUIT
エンボス梱包 オークター番号 EMBOSSED PKG ORDER No.							

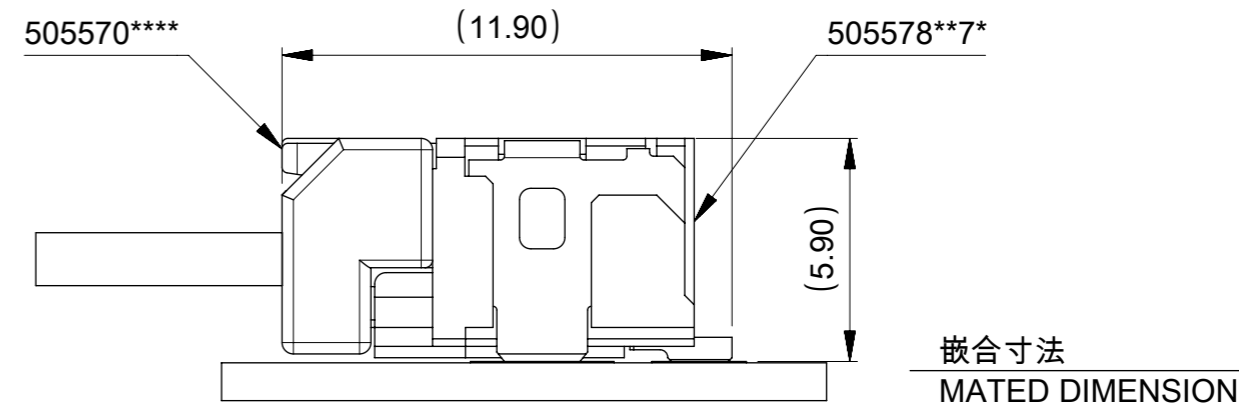
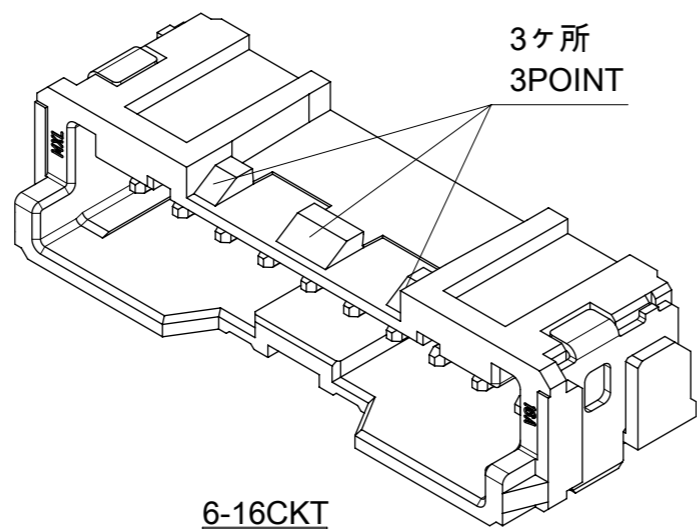
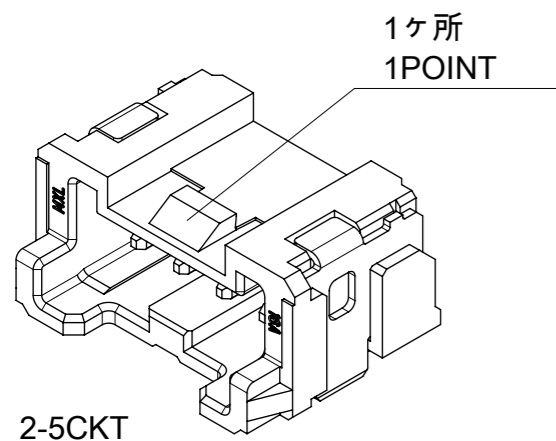
No.	部品 PART	材質 MATERIAL
①	ハウジング HOUSING	ポリアミド(PA) UL94 V-0 POLYAMIDE(PA) UL94 V-0 色: ナチュラル、黒 COLOR:NATURAL, BLACK
②	ターミナル TERMINAL	黄銅 BRASS 錫めっき : 1.0um以上 MATTE TIN PLATING : 1.0 micro-meter MIN. ニッケルめっき (下地) : 1.0um以上 NICKEL(UNDER PLATING) : 1.0micro-meter MIN.
③	フィッティングネイル FITTING NAIL	リン青銅 PHOSPHOR BRONZE 錫めっき : 1.0um以上 MATTE TIN PLATING : 1.0 micro-meter MIN. ニッケルめっき (下地) : 1.0um以上 NICKEL(UNDER PLATING) : 1.0micro-meter MIN.

THIS DRAWING CONTAINS INFORMATION THAT IS PROPRIETARY TO MOLEX ELECTRONIC TECHNOLOGIES, LLC AND SHOULD NOT BE USED WITHOUT WRITTEN PERMISSION

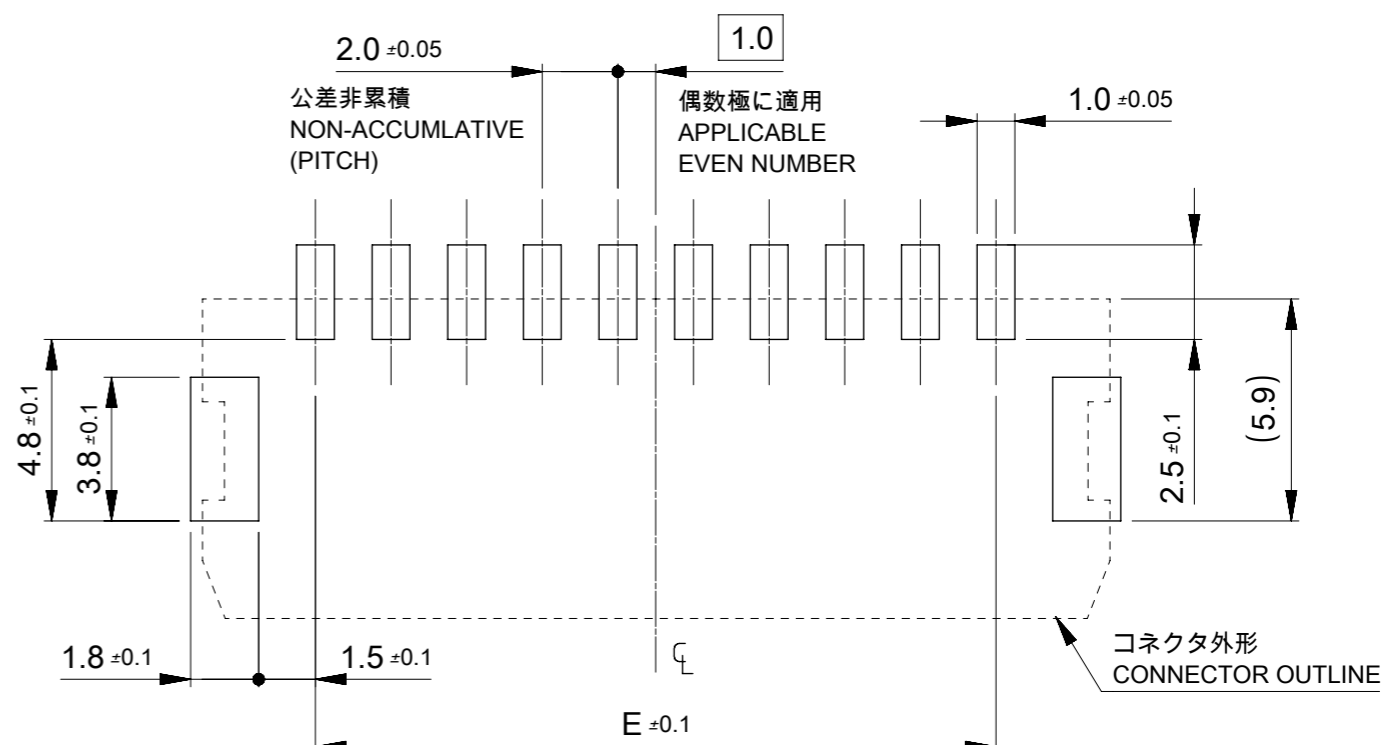
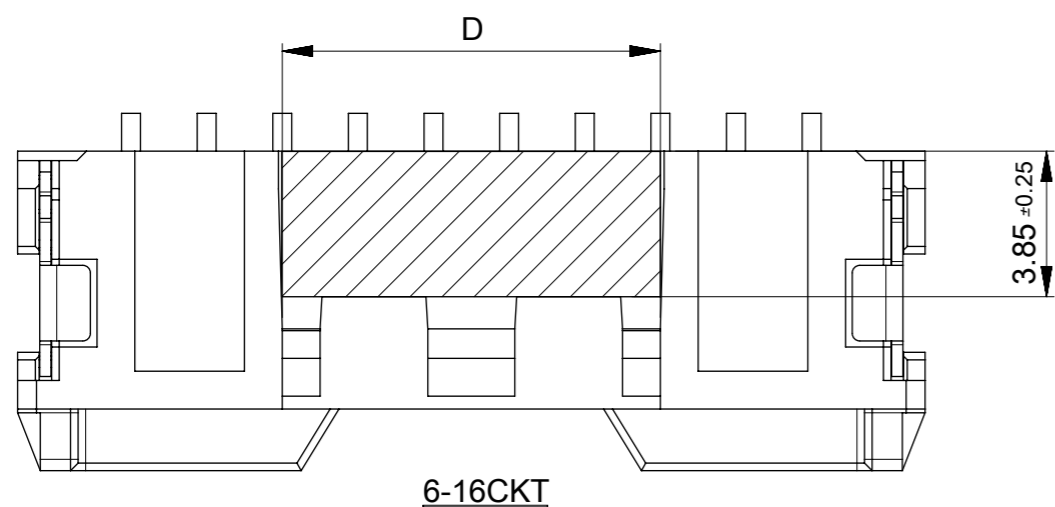
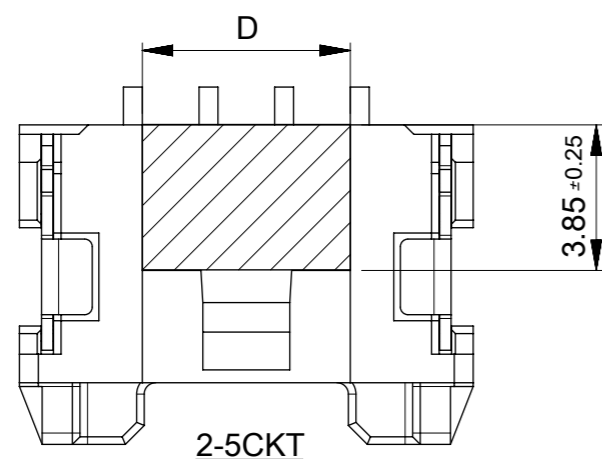
RELEASED 2016/05/12 2016/06/23 2016/06/23 EC NO: 105541 DRWN: TENAGASE CHK'D: KOMURAKAMI APPR: TKANEKO	GENERAL TOLERANCES (UNLESS SPECIFIED)	DIMENSION UNITS	SCALE
	ANGULAR TOL ± 3.0 °	MM	5:1
	4 PLACES ±	DRWN BY	DATE
	3 PLACES ±	TENAGASE	2016/05/12
2 PLACES ± 0.2	CHK'D BY	DATE	
1 PLACE ± 0.25	KOMURAKAMI	2016/06/23	
0 PLACES ± 0.3	APPR BY	DATE	
	TKANEKO	2016/06/23	
DRAFT WHERE APPLICABLE MUST REMAIN WITHIN DIMENSIONS	DRAWING SIZE	THIRD ANGLE PROJECTION	
	A3		

molex			
MICRO-LOCK PLUS 2.0MM PITCH WIRE TO BOARD PLUG ASSEMBLY RA			
PRODUCT CUSTOMER DRAWING			
SERIES	MATERIAL NUMBER	CUSTOMER	
505578		GENERAL	
DOCUMENT NUMBER	DOC TYPE	DOC PART	SHEET NUMBER
5055780001	PSD	000	1 OF 2

ロック形状
LOCK FORM



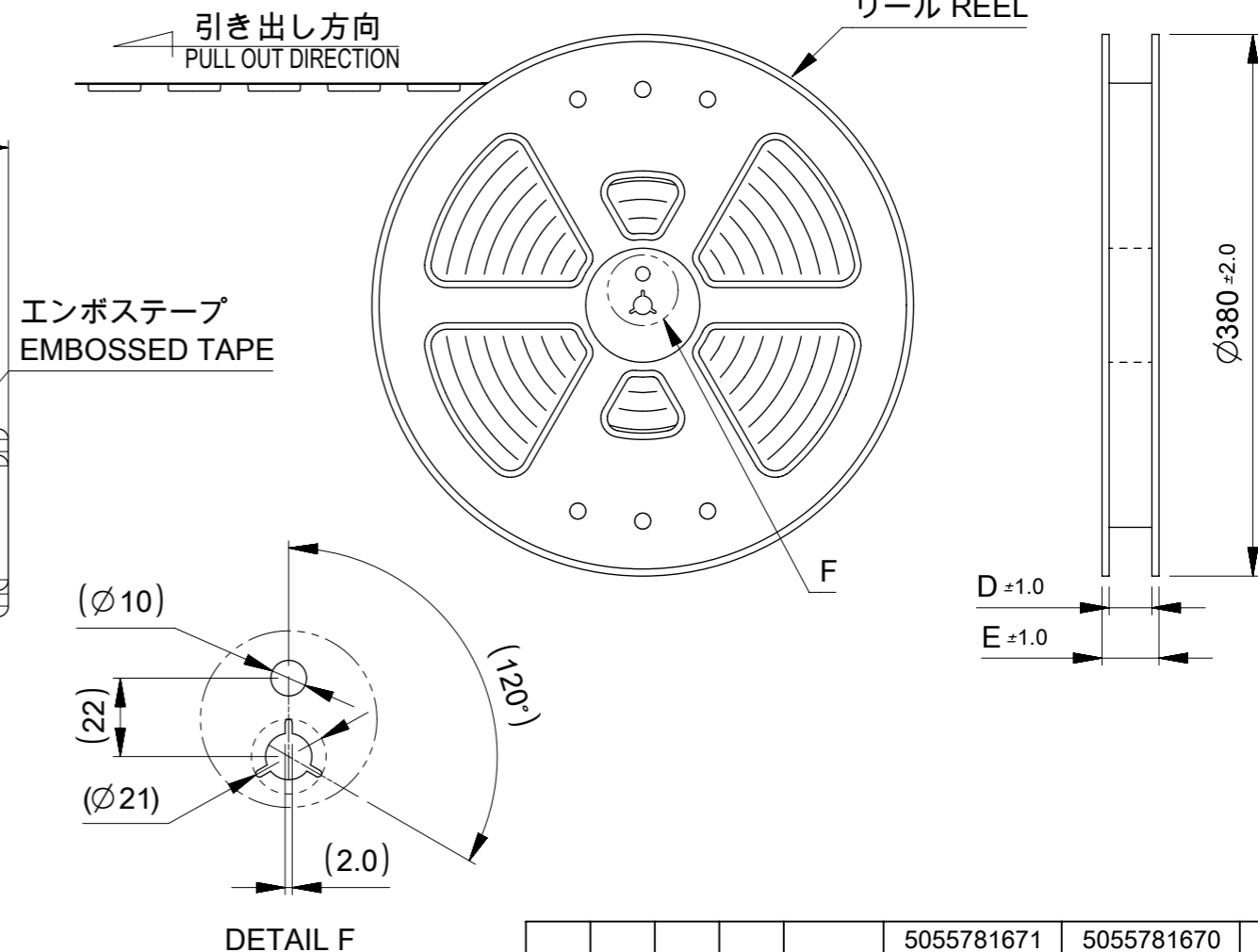
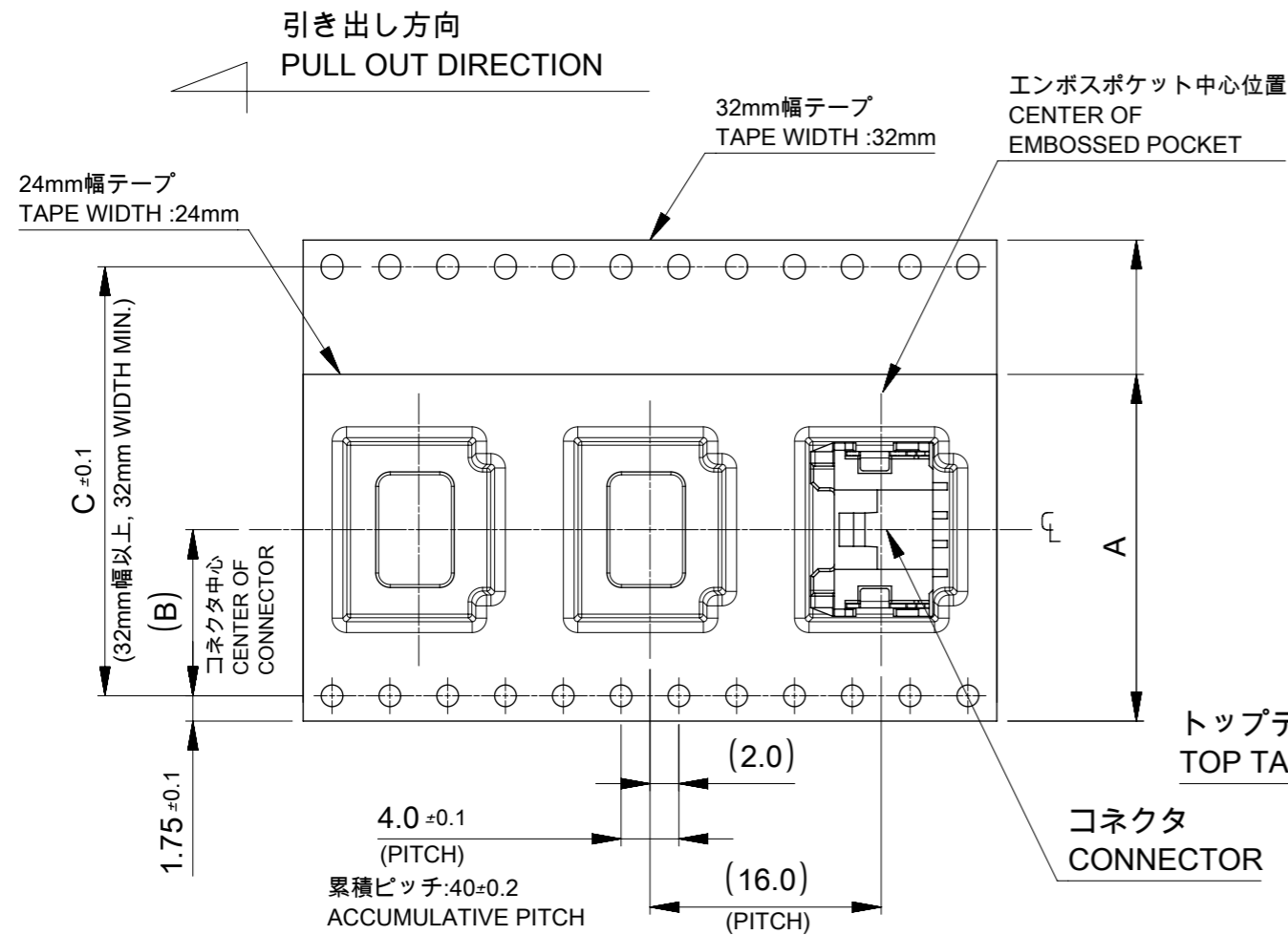
吸着エリア
PICK UP AREA



基板パターンレイアウト (参考)
P.W.B. PATTERN LAYOUT (REFERENCE)

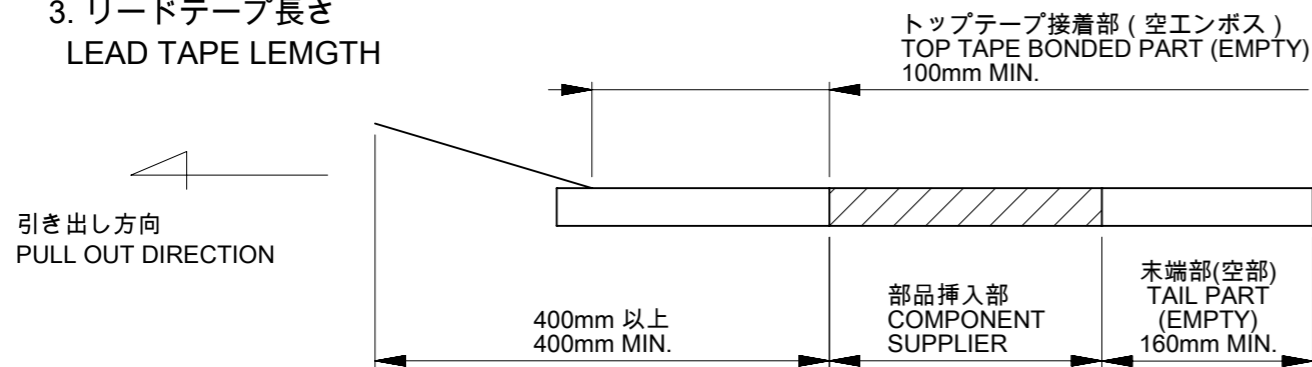
(メタルマスク厚み150um,開口率100%)
(METAL MASK THICKNESS 150um, OPEN APERTURE RATIO 100%)

THIS DRAWING CONTAINS INFORMATION THAT IS PROPRIETARY TO MOLEX ELECTRONIC TECHNOLOGIES, LLC AND SHOULD NOT BE USED WITHOUT WRITTEN PERMISSION										
RELEASED	2016/05/12	GENERAL TOLERANCES (UNLESS SPECIFIED)		DIMENSION UNITS	SCALE	molex®				
	2016/06/23	ANGULAR TOL ± 3.0 °		MM	5:1					
	2016/06/23	4 PLACES ±	DRWN BY	DATE		MICRO-LOCK PLUS 2.0MM PITCH WIRE TO BOARD PLUG ASSEMBLY RA				
	EC NO: 105541	3 PLACES ±	TENAGASE	2016/05/12						
	DRWN: TENAGASE	2 PLACES ± 0.2	CHK'D BY	DATE		PRODUCT CUSTOMER DRAWING				
CHK'D: KOMURAKAMI	1 PLACE ± 0.25	KOMURAKAMI	2016/06/23							
APPR: TKANEKO	0 PLACES ± 0.3	APPR BY	DATE		SERIES	MATERIAL NUMBER	CUSTOMER			
		TKANEKO	2016/06/23		505578		GENERAL			
A	REV	DRAFT WHERE APPLICABLE MUST REMAIN WITHIN DIMENSIONS		DRAWING SIZE	THIRD ANGLE PROJECTION	DOCUMENT NUMBER		DOC TYPE	DOC PART	SHEET NUMBER
				A3		5055780001		PSD	000	2 OF 2



注記 NOTES

- 製品詳細寸法は製品単体図面を参照してください。
FOR DETAIL OF CONNECTOR DIMENSIONS,
PLEASE SEE THE DRAWING OF CONNECTOR IT SELF (NOT PACKAGED)
- 梱包数量 : 900個
NUMBER OF CONNECTORS : 900PIECES/REEL
- リードテープ長さ
LEAD TAPE LENGTH



4. 材料 MATERIAL

キャリアテープ : ポリスチレン(PS)
CARRIER TAPE : POLYSTYRENE (PS)
トップテープ: ポリエステル(PET), その他
TOP TAPE: POLYESTER (PET), OTHER
リール: ポリスチレン(PS)リサイクル材を含む
REEL: POLYSTYRENE (PS) RECYCLE MATERIAL CONTAINED

61.4	57.4	52.4	26.2	56±0.3	5055781671	5055781670	16
					5055781571	5055781570	15
					5055781471	5055781470	14
					5055781371	5055781370	13
					5055781271	5055781270	12
					5055781171	5055781170	11
49.4	45.4	40.4	20.2	44±0.3	5055781071	5055781070	10
					5055780971	5055780970	9
					5055780871	5055780870	8
					5055780771	5055780770	7
					5055780671	5055780670	6
					5055780571	5055780570	5
					5055780471	5055780470	4
29.4	25.4	-	11.5	24 ^{+0.3} _{-0.1}	5055780371	5055780370	3
					5055780271	5055780270	2
E	D	C	B	A	ハウジング 黒色 HSG COLOR BLACK	ハウジング ナチュラル HSG COLOR NATURAL	極数 CIRCUIT
					エンボス梱包 オーダー番号 EMBOSSED PKG ORDER No.		

THIS DRAWING CONTAINS INFORMATION THAT IS PROPRIETARY TO MOLEX ELECTRONIC TECHNOLOGIES, LLC AND SHOULD NOT BE USED WITHOUT WRITTEN PERMISSION

DIMENSION UNITS	SCALE	CURRENT REV DESC: REVISED	
mm	NTS		
GENERAL TOLERANCES (UNLESS SPECIFIED)			
ANGULAR TOL	± 3.0°		
4 PLACES	±	EC NO: 172812	2018/02/27
3 PLACES	±	DRWN: TENAGASE	2018/03/13
2 PLACES	± 0.2	CHK'D: KOMURAKAMI	2018/03/15
1 PLACE	± 0.2	APPR: TKANEKO	
0 PLACES	± 0.2	INITIAL REVISION:	
DRAFT WHERE APPLICABLE MUST REMAIN WITHIN DIMENSIONS		DRWN: TENAGASE	2016/06/14
THIRD ANGLE PROJECTION		APPR: TKANEKO	2016/06/23
DRAWING		SERIES	
A3-SIZE		505578	
MATERIAL NUMBER		CUSTOMER	
SEE CHART		GENERAL	
DOCUMENT NUMBER		DOC TYPE	
5055780001		PSD	
DOC PART		REVISION	
001		B	
SHEET NUMBER			
1 OF 1			