

CY5677 CYSMART™ BLE 4.2 USB DONGLE

CY5677 CySmart USB Dongle is a BLE-to-USB bridge that uses Cypress's PRoC™ BLE (CYBL11573-56LQXI) and PSoC® 5LP (CY8C5868LTI-LP039) devices. The dongle can be used with Cypress's CySmart™ Host Emulation Tool for Windows® to test and debug BLE devices.

For more information on Cypress's BLE solutions visit www.cypress.com/BLE

PRoC BLE is a single-chip solution with a 48-MHz ARM® Cortex®-M0 CPU, Bluetooth 4.2 radio, CapSense® technology for touch sensing, two serial communication blocks (SCBs), a 12-bit ADC, four Timer/Counter/PWMs, four additional PWMs, I²S for digital audio, and segment LCD direct-drive capability.

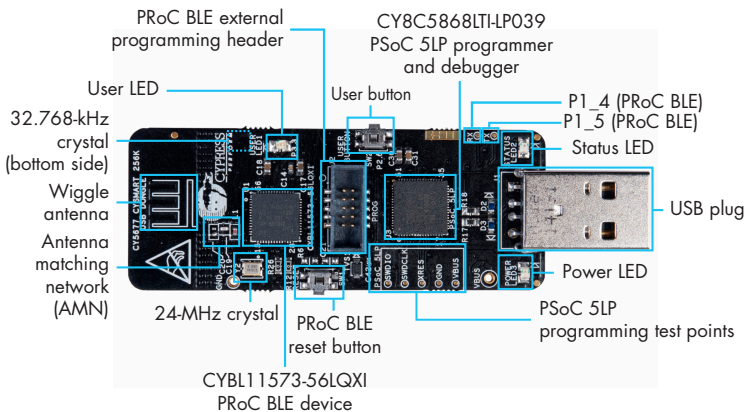


Fig-1: Pinout Description for CY5677

CY5677 CYSMART™ BLE 4.2 USB DONGLE

Step 1: Plug the CySmart USB Dongle into a Windows PC.

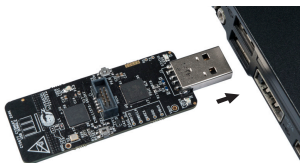


Fig-2: Powering the CySmart USB Dongle

Step 2: Test and debug BLE devices using CySmart.

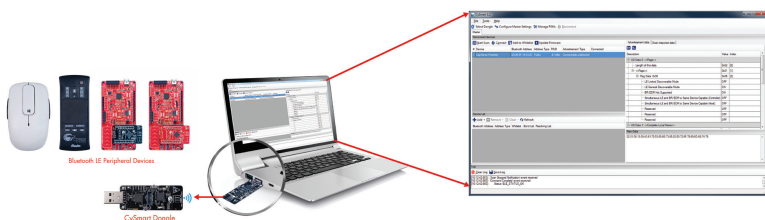


Fig-3: CySmart Host Emulation Tool for Windows

The CySmart USB Dongle is factory-programmed to work as a BLE GAP Central device, allowing you to debug BLE applications such as those implemented using the CY8CKIT-042 Bluetooth Low Energy Pioneer Kit.

Detailed instructions for using the dongle with the CySmart tool are available as a part of the CySmart User Guide. Visit www.cypress.com/CySmart

The CySmart USB Dongle is intended for development purposes only. Users are advised to test and evaluate this dongle in an RF development environment. This dongle is not a finished product and when assembled may not be resold or otherwise marketed unless all required authorizations are first obtained. Contact support@cypress.com for details.

For more information about this kit, visit www.cypress.com/CY5677

