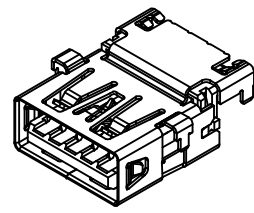
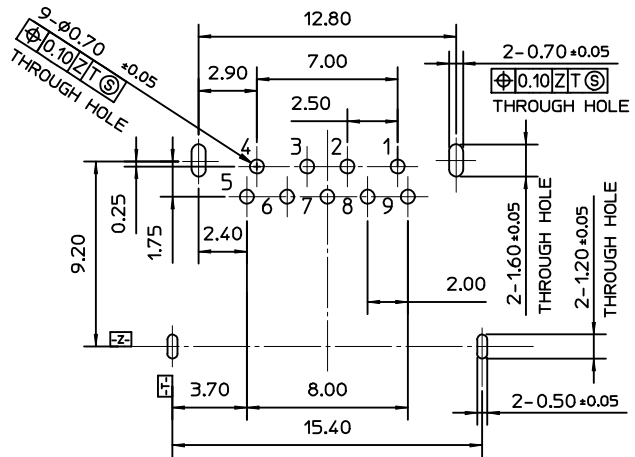


DATE CODE



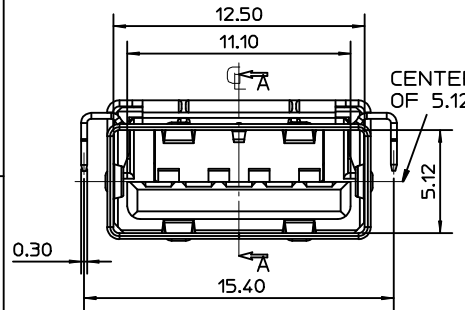
NOTES:
 1. MATERIAL:
 1.1 HOUSING: THERMOPLASTIC, HIGH TEMP., UL94V-0, COLOR: BLUE
 1.2 CONTACT: COPPER ALLOY
 1.3 SHELL: STAINLESS STEEL
 2. FINISH:
 2.1 CONTACT: PLS. SEE TABLE INFORMATION
 SOLDER TAIL PLATING: MATT TIN OVER NICKEL
 UNDERPLATING: NICKEL OVER ALL
 2.2 SHELL: NICKEL PLATING OVER ALL
 3. SPEC. PLS. REFER TO PS-48398-001
 4. PACKAGE PLS. REFER TO PK-48398-001
 5. LEAD FREE AND ROHS COMPLIANT PRODUCT
 6. DATE CODE

YEAR: 1=2011
 MONTH: A(JAN), B(FEB)
 DATE: 8=08
 1 A 08 X X
 REMARK
 PRODUCE PLACE

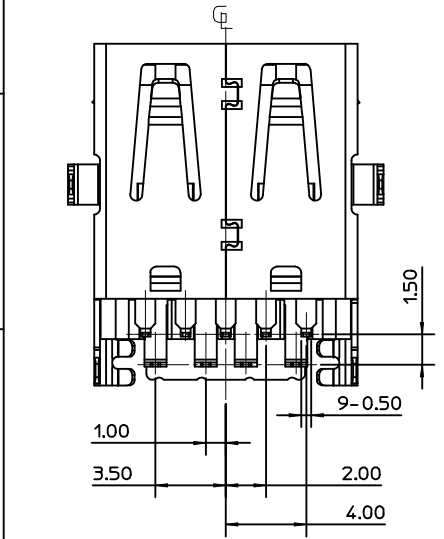
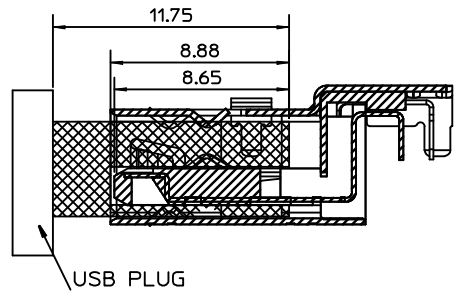
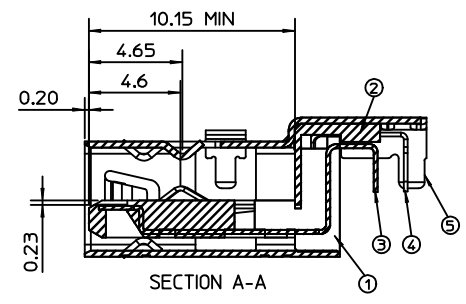
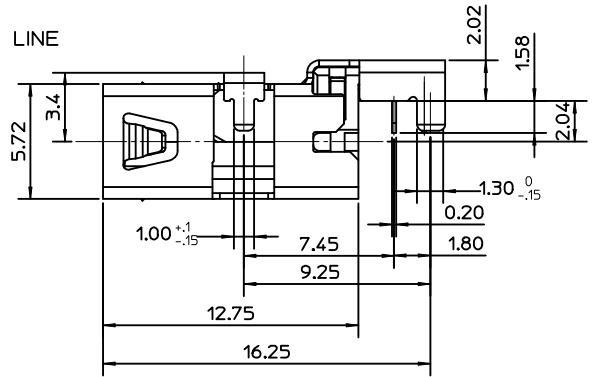
RECOMMEND PCB LAYOUT COMPONENT SIDE
 DEFAULT TOLERANCES ±0.05 P.C.B THICKNESS=1.20mm

TABLE

PLATING	MOLEX P/N
30u GOLD	48398-0001
2u GOLD&30u Pd-Ni	48398-0002
15u GOLD	48398-0003
GOLD FLASH(3u MIN)	48398-0004



CENTER LINE OF 5.12



SHELL	SHIELD
9	STDA_SSTX+
8	STDA_SSTX-
7	GND_DRAIN
6	STDA_SSRX+
5	STDA_SSRX-
4	GND
3	D+
2	D-
1	VBUS
PIN NO.	SIGNAL NAME

RELEASE
 EC NO: DRW/NFYAGN05 2013/10/20
 CHKD:
 APPR:

QUALITY SYMBOLS
 F_A=0
 F_E=0
 F_V=0

GENERAL TOLERANCES (UNLESS SPECIFIED)

	mm	INCH
4 PLACES	±	±
3 PLACES	±	±
2 PLACES	±0.25	±
1 PLACE	±0.25	±

 ANGULAR±3°
 DRAFT WHERE APPLICABLE
 MUST REMAIN WITHIN DIMENSIONS

DIMENSION STYLE
 MM ONLY
 DRAWN BY: SKQI
 DATE: 2013/06/17
 CHECKED BY: JERRY
 DATE: 2013/06/17
 APPROVED BY: JASON
 DATE: 2013/06/17
 MATERIAL NO.
 SEE TABLE

SCALE: 1:1
 DESIGN UNITS: METRIC
 THIRD ANGLE PROJECTION
 TITLE: USB3.0 REVERSE SINK A R/A T/H CH=2.04mm
 MOLEX INCORPORATED
 DOCUMENT NO. SD-48398-001
 SHEET NO. 1 OF 1

NO.	DESCRIPTION	MATERIAL
5	METAL SHELL	STAINLESS STEEL
4	TERMINAL A	COPPER ALLOY
3	TERMINAL B	COPPER ALLOY
2	SPACER	THERMOPLASTIC
1	HOUSING	THERMOPLASTIC