
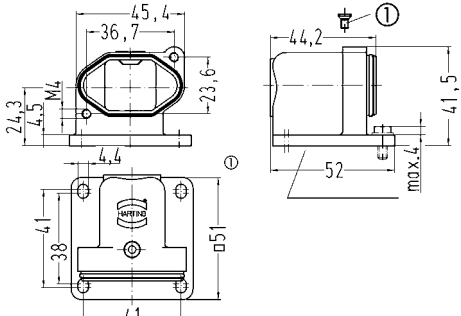

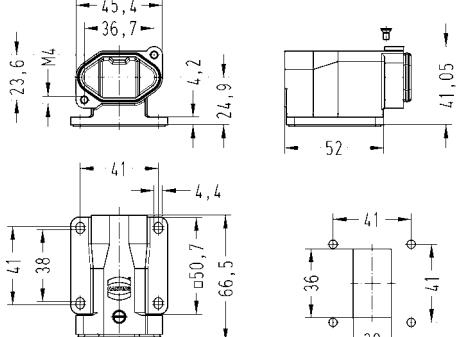

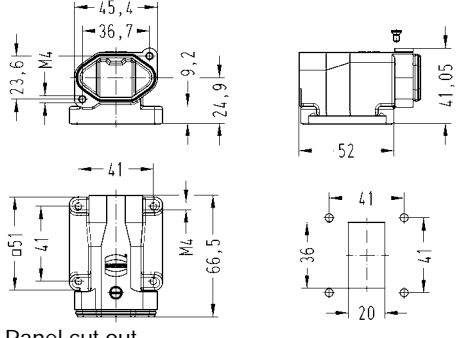
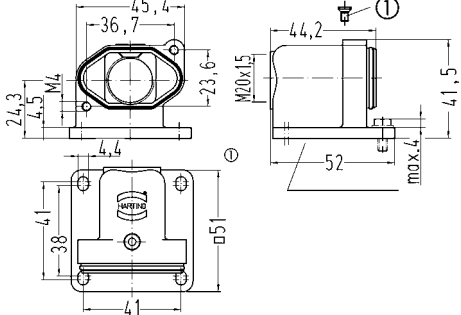


Identification	Cable entry	Part number	Drawing Dimensions in mm
<p>Han® HPR, Bulkhead mounted housings, angled, with sealing screw, screw locking</p> 		09 40 703 0950	 <p>Panel cut out 21.3 x 21.3 mm ① sealing screw</p>
<p>Han® HPR, Bulkhead mounted housings, angled, screw locking, long version, feed through hole for fixing screws</p> 		09 40 703 0951	 <p>Panel cut out</p>
<p>Han® HPR, Bulkhead mounted housings, angled, screw locking, long version, tapped blind hole for fixing screws</p> 		09 40 703 0953	 <p>Panel cut out</p>
<p>Han® HPR, Surface mounted housings, angled, with sealing screw, top entry, screw locking, bottom closed</p>	1xM20	19 40 703 0950	 <p>① sealing screw</p>

Han-Brid