

PRODUCT NUMBER

10072353-X01-XXXXLF

PLATING
 S = 0.38µm GOLD/GXT ON CONTACT AREA
 20µm MIN MATTE TIN ON TAIL

A
 G = 0.76µm GOLD/GXT ON CONTACT AREA
 20µm MIN MATTE TIN ON TAIL

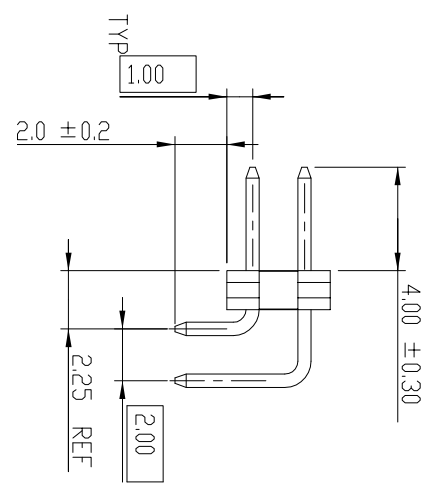
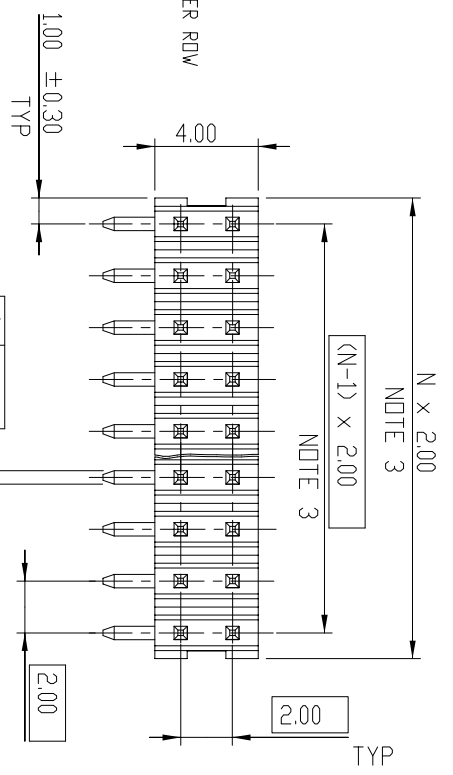
F = GOLD FLASH ON CONTACT AREA
 20µm MIN MATTE TIN ON TAIL

1.27µm MIN NICKEL UNDERPLATING

ROHS COMPATIBLE
 NOTE 6

PACKAGING
 NOTE 5

NB OF POSITIONS PER ROW
 02 TO 25 POS



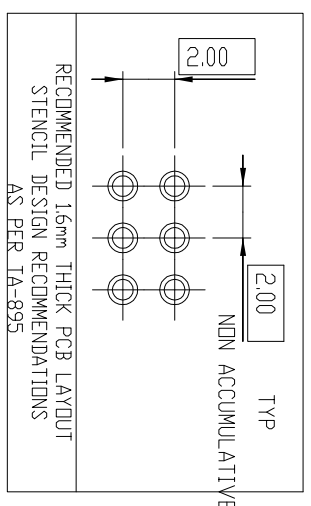
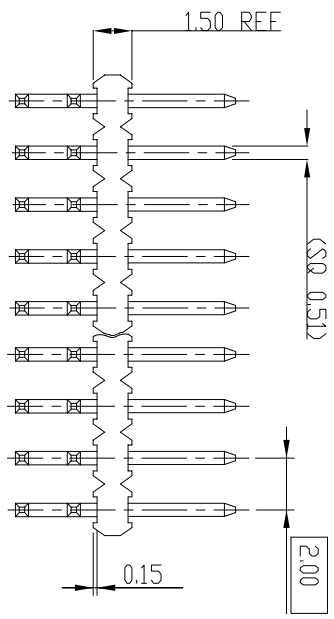
NOTES:

1. MATERIAL HOUSING: HIGH TEMP. THERMOPLASTIC
 UL 94V-0, COLOR BLACK
2. MATERIAL TERMINAL: COPPER ALLOY
3. TO DETERMINE DIMENSIONS:
 N = NUMBER OF POSITIONS PER ROW.
4. 7N MIN PIN RETENTION IN EITHER DIRECTION.
5. PACKAGING:
 = PLASTIC BOX
 U = TUBE AVAILABLE FROM 06 TO 50 POS
6. ROHS COMPATIBLE PRODUCT SPECIFICATIONS

a - PLATING
 = "1F" MEANS THE PRODUCT IS LEAD-FREE
 2µm MINIMUM MATTE TIN OVER 1.27µm
 MINIMUM NICKEL UNDERPLATE.

b - MANUFACTURING PROCESS COMPATIBILITY
 - THE HOUSING WITHSTAND EXPOSURE TO
 260°C PEAK TEMPERATURE FOR
 30 SECONDS MAX IN A CONVECTION, INRA-RED
 DR VAPOR PHASE OR REFLDW OVEN

c - LABELLING:
 - MEETS PACKAGING SPECS AS PER GS-14-920.
 d - THIS PRODUCT MEETS EUROPEAN DIRECTIVES
 AND OTHER COUNTRY REGULATIONS AS DESCRIBED
 IN GS-47-0004



Copyright FCI.

| | | | | | | | | | |
|---------------------------------------|--|----------|--|---------------|--|------------|--|-------|--|
| www.fciconnect.com | | surface | | tolerance std | | projection | | mm | |
| ISD 1302 | | ISD 406 | | ISD 1101 | | mm | | Scale | |
| TOLERANCES UNLESS OTHERWISE SPECIFIED | | 0X | | ± 0.13 | | A3 | | 5:1 | |
| ANGULAR | | 0° | | ± 2° | | A3 | | 5:1 | |
| LINEAR | | 0.0XX | | ± 0.05 | | A3 | | 5:1 | |
| Product family | | Minitek | | Spec ref | | | | | |
| Dr- L MULIN | | 06.09.14 | | | | | | | |
| Eng J COMPAGNON | | 06.09.14 | | | | | | | |
| Chr - | | | | | | | | | |
| Appr JM.C | | 06.09.14 | | | | | | | |
| Dp- L MULIN | | 06.09.14 | | | | | | | |
| Eng J COMPAGNON | | 06.09.14 | | | | | | | |
| Chr - | | | | | | | | | |
| Appr JM.C | | 06.09.14 | | | | | | | |



UNSHR HEADER
 RIGHT ANGLE PIP

10072353

Rev. C