

T-2 SLIDE BASED LAMPS 24LS SERIES



- Replaces 24E and 24X incandescent bulbs
- For GE ET-5, ET-6 and Westinghouse Minalite Socket
- Built-in shunt resistor to clamp noise current
- Bi-polar (optional)
- High-intensity
- Up to 100,000-hour life
- Shock and vibration resistant

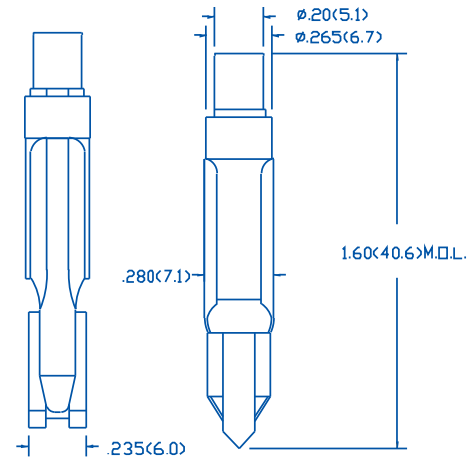
The PowerLine® 24LS series LED lamps are designed as drop-in replacements for the industry-standard 24E and 24X incandescent bulbs. Several models are available designed specifically for operation in GE ET-5, ET-6 and Westinghouse Minalite sockets. No modification to input voltage or series resistance is required.

ET-5 socket not included

To select a PowerLine® LED lamp:

1. Identify your input voltage and series resistor from the chart below.
Series resistor values are usually marked on the socket.
2. Select the appropriate PowerLine® LED part number.
3. Replace "X1" in the part number with the color code (see LED color code chart below)

INPUT VOLTAGE	SERIES RESISTOR	MAXIMUM VOLTAGE	PowerLine® LED PART #	BI-POLAR
130AC/DC 48DC	3.2KΩ 900Ω	140 56	24LS4-X1	YES
130DC 24DC 48DC 600DC	3.2KΩ 110Ω 900Ω 20KΩ	140 26 56 650	24LS2-X1	NO
130DC	2KΩ	140	24LS8-X1	YES
67AC 115AC 230AC 250AC 460AC 575AC	1.5KΩ 2.8KΩ 6.3KΩ 7.2KΩ 13KΩ 17KΩ	75 125 250 280 500 630	24LS10-X1	YES
125DC 250DC	Dim/Bright	140 280	24LS12-X1	YES
115AC 230AC	Dim/Bright	125 250	24LS16-X1	YES



24LS Series
Slide Base #3

LED COLOR CODE	EMITTED COLOR	Used to illuminate the following lenses							
		Red	Orange	Amber	Yellow	Green	Blue	White	Clear
-R1	Red	*						*	*
-O1	Orange		*	*				*	*
-A1	Amber			*	*			*	*
-G1	Green					*		*	*
-B1	Blue						*	*	*
-W1	White							*	*

All dimensions are in inches (mm) Tolerances: .xx"(.x) ±.025"(.63)/ .xxx"(.xx)±.010"(.25) Specifications are subject to change without notice.