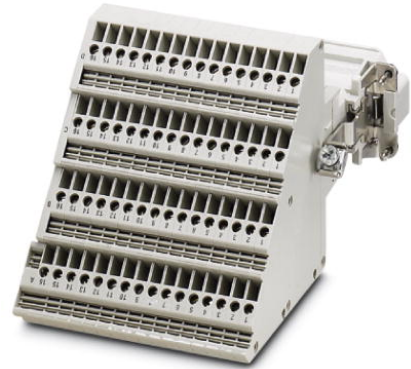


## HC-KA-D 64-ST/PER


This product has been replaced by a newer version.

Order No.: 1774513



<http://eshop.phoenixcontact.de/phoenix/treeViewClick.do?UID=1774513>

HEAVYCON terminal adapter male insert, D64 series, 64-pos., right protective conductor connection for the left side of the control cabinet, screw connection

Commercial data	
GTIN (EAN)	 4 017918 037802
Note	Made-to-order
sales group	D012
Pack	4 pcs.
Customs tariff	85369010
Catalog page information	Page 384 (PC-2007)

#### Product notes

WEEE/RoHS-compliant since:  
06/27/2006



<http://www.download.phoenixcontact.com>  
Please note that the data given here has been taken from the online catalog. For comprehensive information and data, please refer to the user documentation. The General Terms and Conditions of Use apply to Internet downloads.

#### Technical data

##### Electrical characteristics

Note	For HEAVYCON-ADVANCE mounting flange and HEAVYCON panel mounting base of B24 type
Number of positions	64
Connection in acc. with standard	IEC / EN

Rated voltage (III/3)	250 V
Rated surge voltage	4 kV
Rated current	10 A

#### Mechanical characteristics

Design	D64
Connection method	Screw connection
Tightening torque	0.5 Nm ... 0.8 Nm
Stripping length of the individual wire	10 mm
Conductor cross-section	0.2 mm <sup>2</sup> ... 2.5 mm <sup>2</sup>
Connection cross-section AWG	22 ... 12

#### General characteristics

Contact material	Copper alloy
Contact surface material	Ag
Contact carrier material	PA / PC
Terminal adapter width	86.3 mm
Height	81 mm
Pollution degree	3
Surge voltage category	III
Inflammability class acc. to UL 94	V0
Connection in acc. with standard	IEC / EN
Ambient temperature (operation)	-40 °C ... 125 °C
Installation instructions	Connectors may be plugged in only when there is no load/ voltage. Not for HC-B 24-AMQ-EMV housings

#### Certificates / Approvals



Certification

CSA, GOST, UL

### Accessories

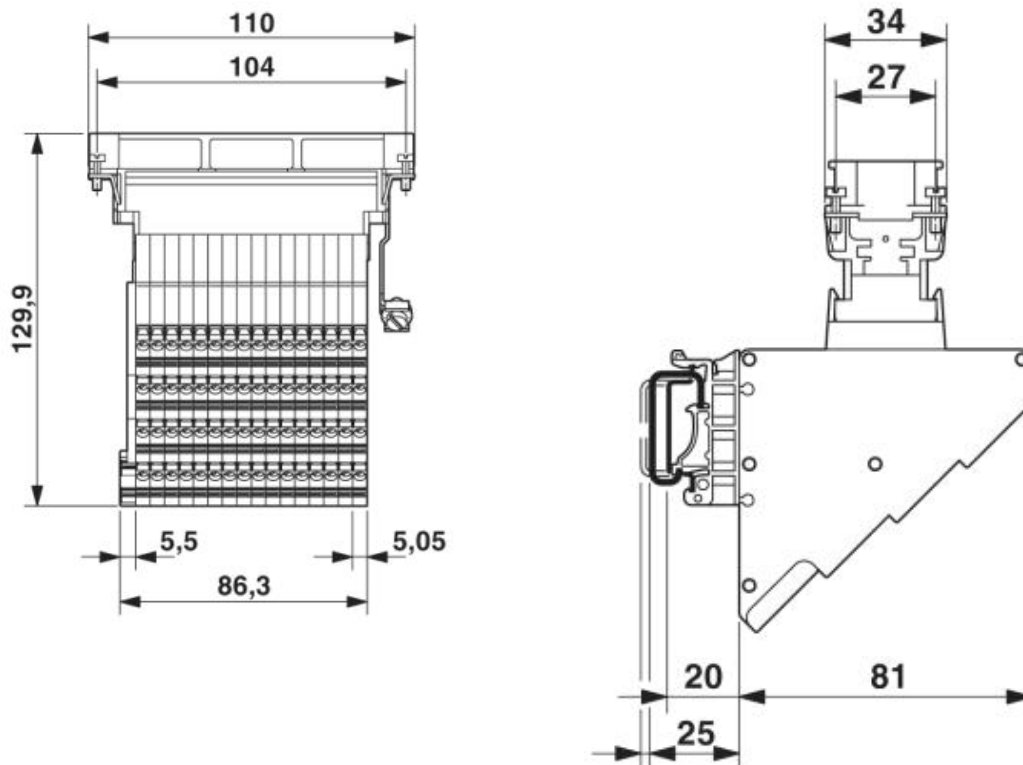
Item	Designation	Description
------	-------------	-------------

### Assembly

1775240	HC-KA-FE	Foot element, for mounting on DIN rail NS 32, DIN rail NS 35/7.5 or DIN rail NS 35/15, can be inserted between basic and side element
1660083	HC-VSH	Locking screw barrel, for a firm connection of contact inserts and DIN-rail mountable terminal adapters

### Diagrams/Drawings

Dimensioned drawing



**Address**

PHOENIX CONTACT Deutschland GmbH  
Flachmarktstr. 8  
32825 Blomberg, Germany  
Phone +49 5235 3 12000  
Fax +49 5235 3 41200  
<http://www.phoenixcontact.de>



© 2010 Phoenix Contact  
Technical modifications reserved;