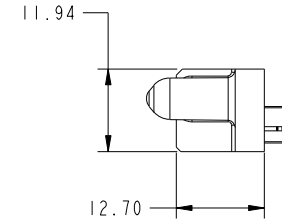
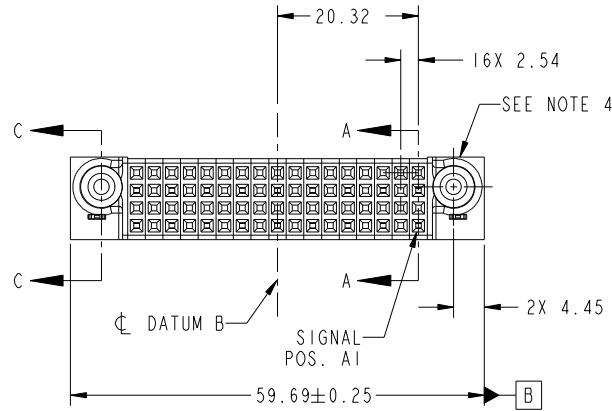


Tous droits strictement reserves. Reproduction ou communication a des tiers interdite sous quelque forme que ce soit sans autorisation écrite du propriétaire. Propriete de c FCI. Droits de reproduction FCI.



All rights strictly reserved. Reproduction or issue to third parties in any form whatever is not permitted without written authority from the proprietor. Property of FCI. Copyright FCI.

PRODUCT NO.	ROWS	SIGNAL																		
		E2	17	16	15	14	13	12	11	10	9	8	7	6	5	4	3	2	1	E1
51940-364-- NOTE: 3	D C B A		X	X	X	X	X	X	X	X	X	X	X	X	X	X	X	X	X	
		E	X	X	X	X	X	X	X	X	X	X	X	X	X	X	X	X	X	E
		X	X	X	X	X	X	X	X	X	X	X	X	X	X	X	X	X	X	X
			E	X	X	X	X	X	X	X	X	X	X	X	X	X	X	X	X	



CODE	DIM "M" MATING LENGTH	CONTACT TYPE
E	[N/A]	SIGNAL
HA	[N/A]	HOLD-DOWN
X	OMITTED	

mat'l code				SEE NOTES		tolerances unless otherwise specified		CUSTOMER		FCI	
ltr	ecn no.	dr	date	linear	0.X ±0.5	projection	projection symbol	COPY		www.fciconnect.com	
A	DG10-0312	JW	08/29/10	angles	0.XX ±0.25	MM	MM symbol	title		68S VERTICAL STB RECEPT	
				dr	0.XXX ±0.1	scale	1:1	product family	PwrBlade	code	213
				enr	0° ±2°	size	A	dwg no	51940-364	sheet	1 of 4
				chr	JULIA WANG 08/16/10						
				appd	JULIA WANG 08/16/10						
					PM ZHENG 08/16/10						
					JOSEPH HSIA 08/16/10						
sheet index	revision sheet	A 1	A 2	A 3	A 4						

cage code 22526

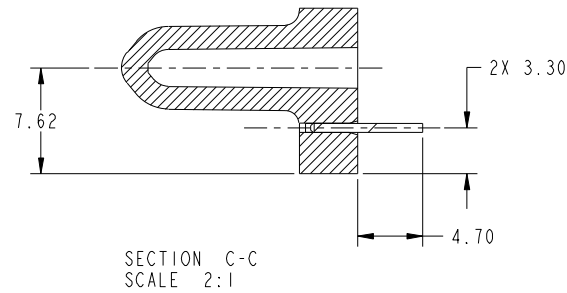
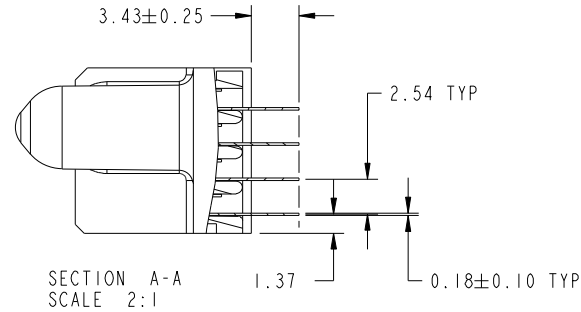
Pro/E

Tous droits strictement reserves. Reproduction ou communication a des tiers interdite sous quelque forme que ce soit sans autorisation écrite du propriétaire. Propriete de c FCI. Droits de reproduction FCI.



All rights strictly reserved. Reproduction or issue to third parties in any form whatever is not permitted without written authority from the proprietor. Property of FCI. Copyright FCI.

PRODUCT NUMBER  
51940-364--  
NOTE: 3



mat'l code				tolerances unless otherwise specified		CUSTOMER		FCI	
ltr	ecn no.	dr	date	linear	0.X ±0.5	COPY		www.fciconnect.com	
A					0.XX ±0.25	projection		title	
				angles	0.XXX ±0.1			68S VERTICAL STB RECEIPT	
				dr	0° ±2°			product family PwrBlade code	
				enr	JULIA WANG 08/16/10			size dwg no 213	
				chr	JULIA WANG 08/16/10	A		51940-364 sheet	
				appd	PM ZHENG 08/16/10	1:1		2 of 4	
					JOSEPH HSIA 08/16/10				
sheet index		revision sheet							

Pro/E

cage code 22526

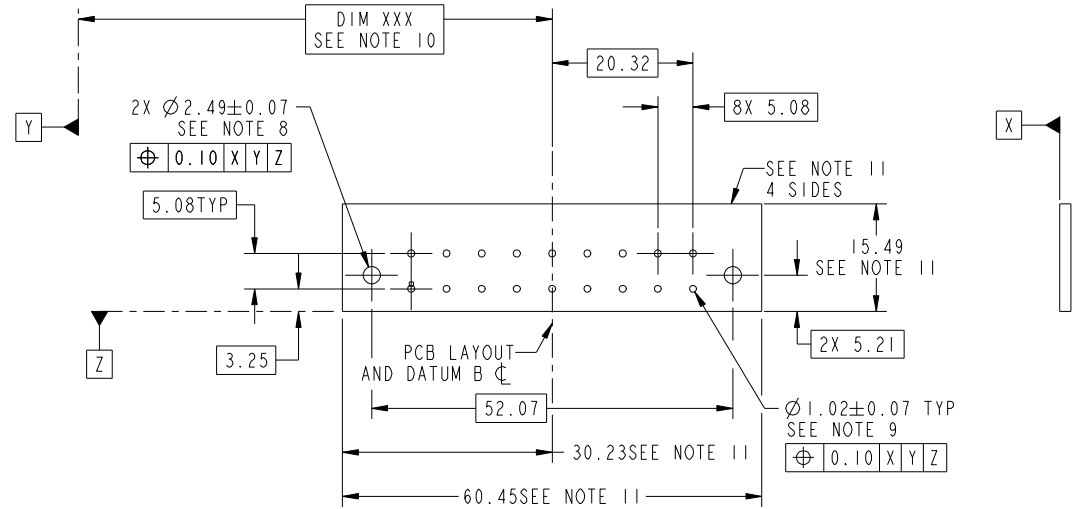
Tous droits strictement reserves. Reproduction ou communication a des tiers interdite sous quelque forme que ce soit sans autorisation écrite du propriétaire. Propriete de c FCI. Droits de reproduction FCI.



All rights strictly reserved. Reproduction or issue to third parties in any form whatever is not permitted without written authority from the proprietor. Property of FCI. Copyright FCI.

PRODUCT NUMBER  
51940-364--  
NOTE: 3

1 | 2 | 3 | 4



RECOMMENDED PCB LAYOUT

mat'l code				tolerances unless otherwise specified		CUSTOMER		FCI	
ltr	ecn no.	dr	date	linear	0.X ± 0.5	COPY		www.fciconnect.com	
A					0.XX ± 0.25	projection		title 68S	
				angles	0.XXX ± 0.1			VERTICAL STB RECEIPT	
				dr	0° ± 2°			product family PwrBlade code 213	
				enr	JULIA WANG 08/16/10	scale		size dwg no 213	
				chr	JULIA WANG 08/16/10	1:1		sheet 3 of 4	
				appd	PM ZHENG 08/16/10			51940-364	
					JOSEPH HSIA 08/16/10				
sheet index		revision sheet							

cage code 22526

Pro/E

1 | 2

3 |

4

Tous droits strictement reserves. Reproduction ou communication a des tiers interdite sous quelque forme que ce soit sans autorisation écrite du propriétaire. Propriete de c FCI. Droits de reproduction FCI.

All rights strictly reserved. Reproduction or issue to third parties in any form whatever is not permitted without written authority from the proprietor. Property of FCI. Copyright FCI.



PRODUCT NUMBER  
51940-364--  
NOTE: 3

NOTES:

1. DIMENSIONS AND TOLERANCES ARE IN ACCORDANCE WITH ASME Y14.5M, 1994 UNLESS OTHERWISE SPECIFIED.

CONNECTOR NOTES:

- 2 HOUSING MATERIAL: UL 94 V-0 GLASS FILLED HIGH-TEMP THERMOPLASTIC  
POWER CONTACT MATERIAL: COPPER ALLOY  
SIGNAL PIN MATERIAL: COPPER ALLOY
  - 3. SEE ITEM 5 & 6 IN PRINT 10064183 FOR PLATING SPEC OF 51940-364 AND 51940-364LF RESPECTIVELY.
  - 4 MANUFACTURER'S NAME, DATE CODE AND OPTIONAL P/N TO APPEAR ON THIS SURFACE. THE P/N CAN BE OMITTED IF THERE IS NOT ENOUGH SPACE ON THIS SURFACE.
  - 5. PRODUCT SPECIFICATION GS-12-149.  
APPLICATION SPECIFICATION BUS-20-067.
  - 6. PACKAGED IN TRAYS.
- PCB NOTES:
- 7. ALL HOLE DIAMETERS ARE FINISHED HOLE SIZE.
  - 8 MOUNTING HOLES, WHERE APPLICABLE, ARE UNPLATED.
  - 9  $\varnothing 1.151 \pm 0.025$  DRILLED HOLES PLATED WITH  
0.008 MIN SnPb OR Sn OVER 0.03  
TO 0.08 Cu PLATING TO ACHIEVE  
 $\varnothing 1.02 \pm 0.07$  HOLE.
  - 10 "DIM XXX" TO BE DETERMINED BY THE CUSTOMER.
  - 11 CONNECTOR KEEP-OUT ZONE.
  - 12. THE VOID CORING IN BETWEEN POWER MODULES, SIGNAL MODULES AND END MODULES ARE OPTIONAL AND THE SHAPE MAY BE DIFFERENT FOR OPTIMIZE THE MOLDING PROCESS. THE VOID CORING WILL NOT EFFECT TO PRODUCT FUNCTION.

mat'l code				tolerances unless otherwise specified		CUSTOMER		FCI	
ltr	ecn no.	dr	date	linear	0.X ± 0.5	COPY		www.fciconnect.com	
A				linear	0.XX ± 0.25	projection		title	
				angles	0.XXX ± 0.1			68S VERTICAL STB RECEPT	
				dr	0° ± 2°	MIM		product family PwrBlade code	
				enr	JULIA WANG 08/16/10	scale		size	
				chr	JULIA WANG 08/16/10	1:1		dwg no	
				appd	PM ZHENG 08/16/10	A		51940-364	
					JOSEPH HSIA 08/16/10			sheet	
sheet index	revision sheet							4 of 4	

cage code 22526

Pro/E