

4

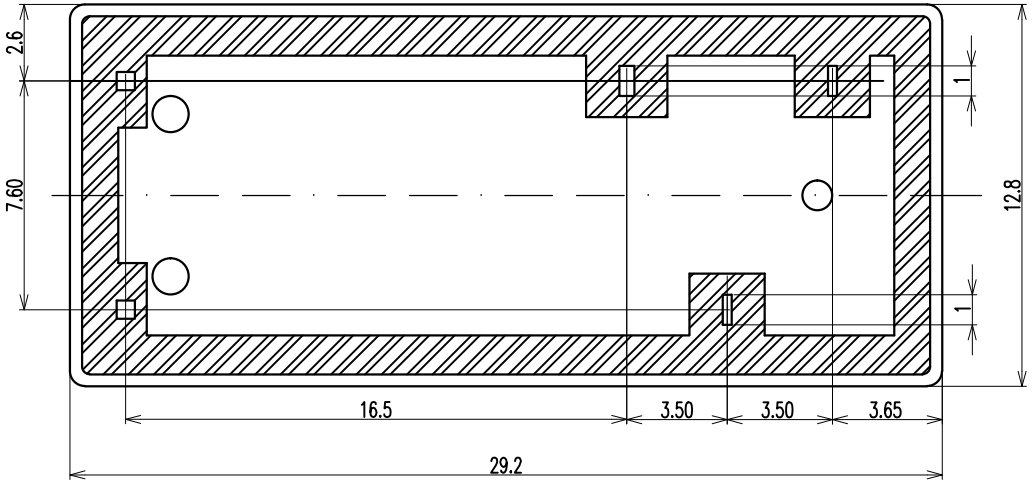
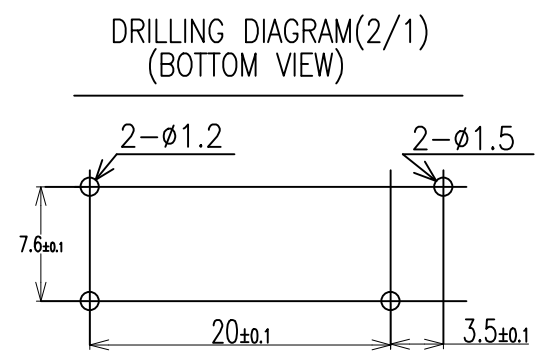
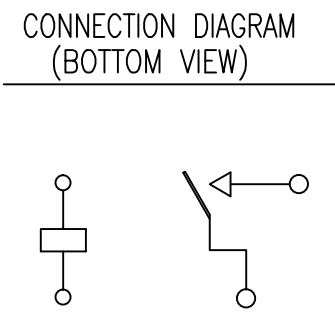
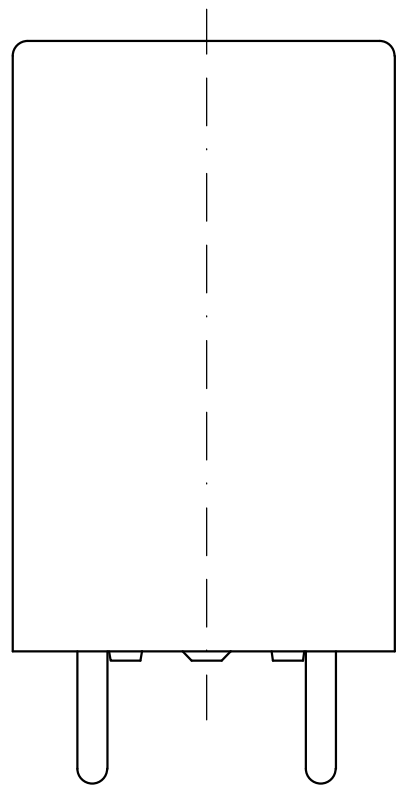
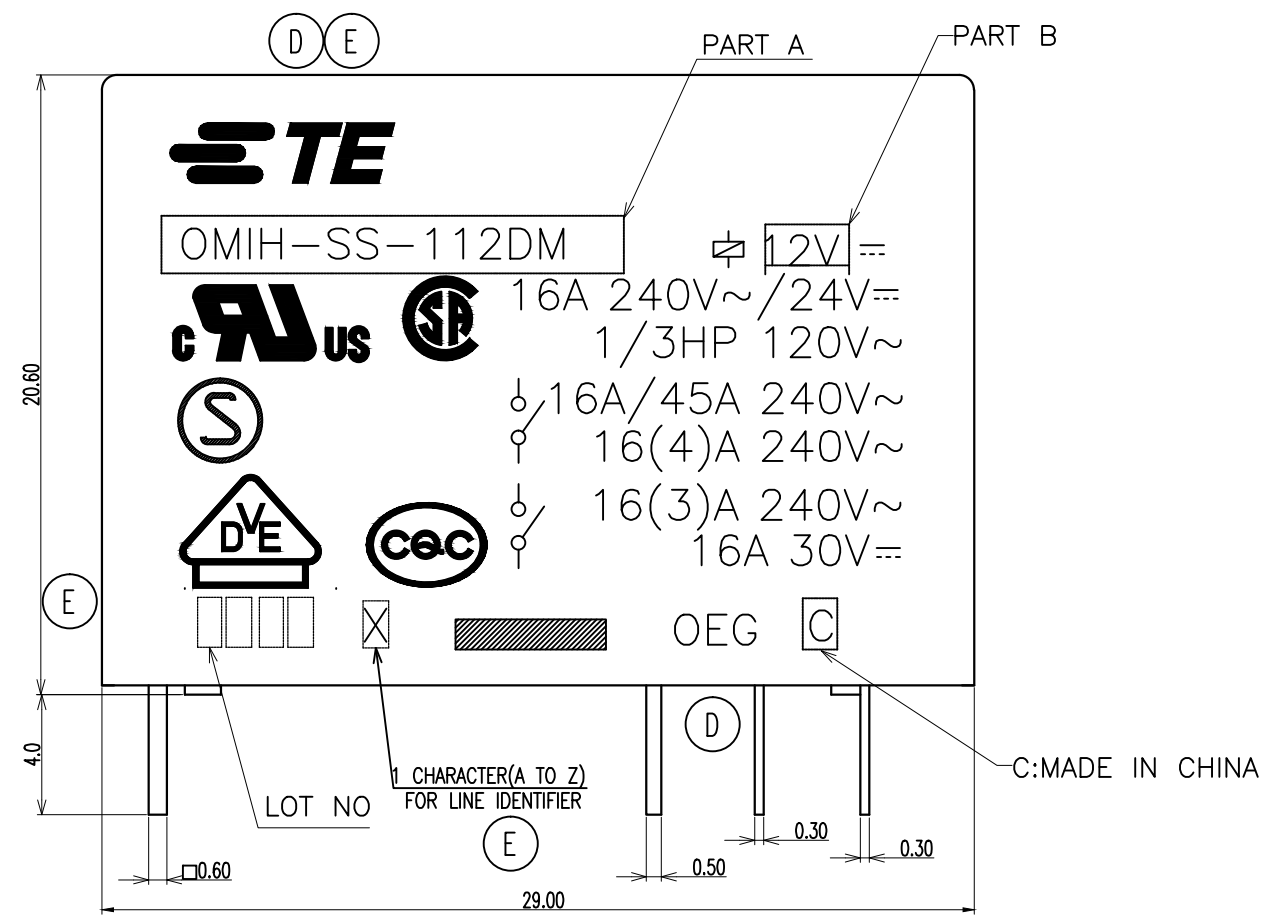
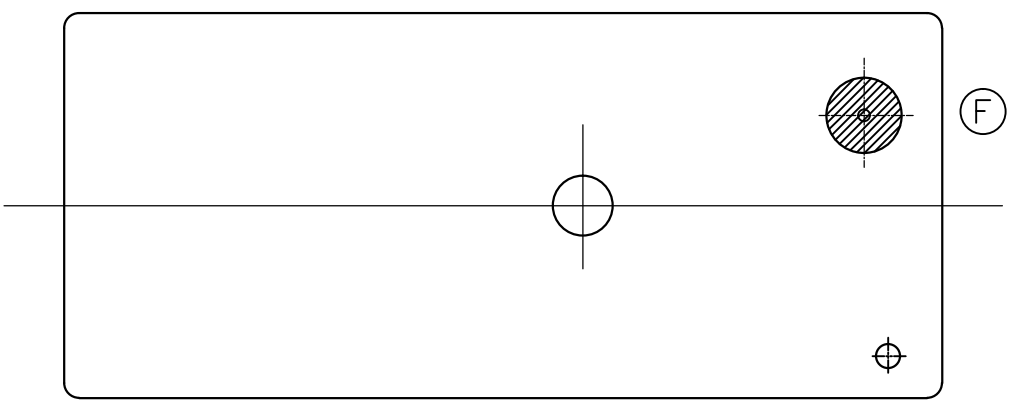
3

2

1

THIS DRAWING IS UNPUBLISHED. RELEASED FOR PUBLICATION
 © COPYRIGHT - By - ALL RIGHTS RESERVED.

LOC	DIST	REVISIONS						
		P	LTR	DESCRIPTION	DATE	DWN	APVD	
HB	-		E	1.CHANGE LOGO, 2.VENT HOLE SHAPE; 3.ADD TERMINALS PLATING THICKNESS LINE IDENTIFIER	ECO-12-005725	26-JUL-12	D.L	BH.Y
			F	CHANGE THE VENT HOLE SHAPE FROM RECTANGLE TO CIRCLE ONE	ECO-13-015347	16-DEC-13	XL,Y	B,F



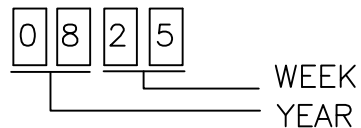
THIS DRAWING IS A CONTROLLED DOCUMENT.		DWN	-			
		CHK	Y.Xiao			
		APVD	N.Funayama			
		PRODUCT SPEC	CH.HSU			
		APPLICATION SPEC	-			
		WEIGHT	-			
		CUSTOMER DRAWING	-			
DIMENSIONS: mm 		TOLERANCES UNLESS OTHERWISE SPECIFIED: 0 PLC ± 1 PLC ± 2 PLC ± 3 PLC ± 4 PLC ± ANGLES ±		TE TE Connectivity NAME OMIH(1T) D/L CUSTOMER DRAWING		
MATERIAL		FINISH	SIZE	CAGE CODE	DRAWING NO	RESTRICTED TO
			A3	00779	C-5-1419121-9	-
			SCALE	SHEET	REV	
			4:1	1 OF 2	F	

THIS DRAWING IS UNPUBLISHED. RELEASED FOR PUBLICATION
 © COPYRIGHT - By - ALL RIGHTS RESERVED.

LOC	DIST	REVISIONS					
		P	LTR	DESCRIPTION	DATE	DWN	APVD
HB	-						

NOTES:

(A1) 1.LOT NO. SYSTEM AS FOLLOWING:



2.GENERAL TOLERANCE AS FOLLOWING:

TOLERANCE	
0~0.99mm	±0.1
1mm~2.99mm	±0.2
3mm MIN.	±0.3

3.TERMINAL DIMENSION IS NOT INCLUDING SOLDER TIP.

(E) 4.FOR THE TIN-PLATING OF THE PINS:
+0.1mm FOR WIDTH,THICKNESS AND DIAMETER.
+0.5mm FOR LENGTH.

7-1440000-6	OMIH-SH-148L	OMIH-SH-148L	48V
0-1440007-7	OMIH-SH-124L	OMIH-SH-124L	24V
5-1419121-9	OMIH-SH-112L	OMIH-SH-112L	12V
1-1419145-7	OMIH-SH-112D	OMIH-SH-112D	12V
TE PART NO	DESCRIPTION	PART A	PART B

RELAY TYPE

		UV RESIN	UV SEAL	18
		—	TAPE	17
		EPOXY RESIN	SEAL	16
UL94 V-0		PBT	CASE	15
CLASS E		UEW	MAGNETIC WIRE	14
UL94 V-0		PET	BASE	13
UL94 V-0		PBT	BOBBIN	12
	SOLDER DIP	CP WIRE	COIL TERMINAL	11
UL94 V-0		PPS	CARD	10
		Ag ALLOY	MOVABLE CONTACT	9
		Ag ALLOY	STATIONARY CONTACT	8
		Cu ALLOY	HINGE SPRING	7
	SOLDER DIP	Cu ALLOY	B TERMINAL	6
	SOLDER DIP	Cu ALLOY	M TERMINAL	5
	SOLDER DIP	Cu ALLOY	MOVABLE SPRING	4
		STEEL	CORE	3
		STEEL	ARMATURE	2
		STEEL	YOKE	1
INCOMBUSTIBILITY	TREATMENT	MATERIAL	DESCRIPTION	ITEM

THIS DRAWING IS A CONTROLLED DOCUMENT.		DWN Y.Xiao	TE Connectivity		
DIMENSIONS: mm		CHK N.Funayama			
TOLERANCES UNLESS OTHERWISE SPECIFIED:		APVD CH.HSU	NAME OMIH(1T) D/L CUSTOMER DRAWING		
		PRODUCT SPEC —	SIZE A3		
MATERIAL		APPLICATION SPEC —	CAGE CODE 00779	DRAWING NO C-5-1419121-9	RESTRICTED TO —
FINISH —		WEIGHT	SCALE 4:1		
		CUSTOMER DRAWING	SHEET 2 of 2		REV F