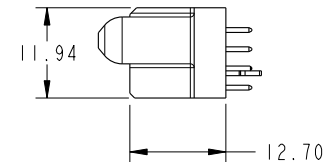
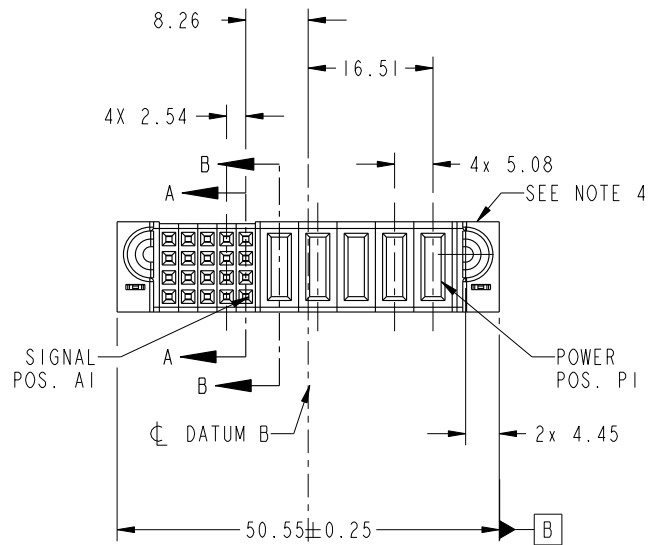


PRODUCT NO.	ROWS	SIGNAL					POWER					E1		
		E2	5	4	3	2	1	P5	P4	P3	P2		P1	
51940-515-- NOTE: 3	D C B A		E	E	E	E	E	E	PA	X	PD	X	PD	

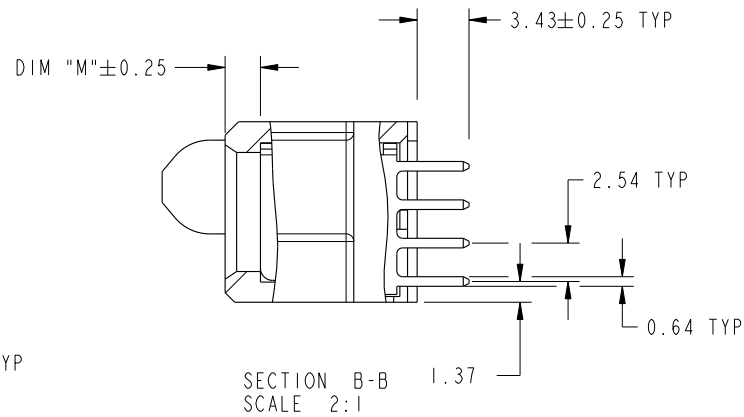
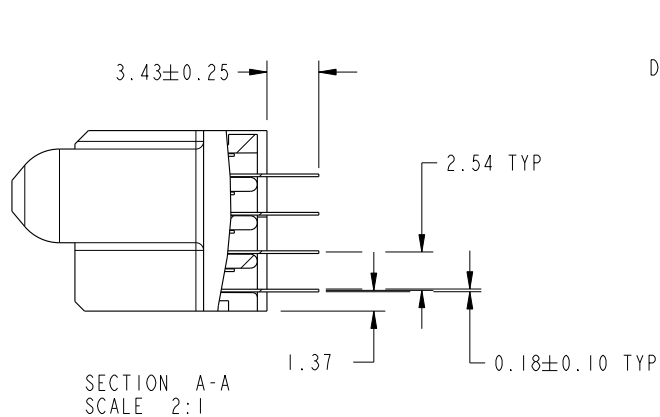


CODE	DIM "M" MATING LENGTH	CONTACT TYPE
E	[N/A]	SIGNAL
PD	[2.34]	POWER
PA	[1.07]	POWER
HA	[N/A]	HOLD-DOWN
X	[N/A]	OMITTED

spec ref	*	dr	MT Ruan	2013-10-28	projection 	MM ←→	size	A4	scale	1:1
tolerance std	TOLERANCES UNLESS OTHERWISE SPECIFIED	eng	MT Ruan	2013-10-28			ecn no	*		
SEE NOTE		chr	PM ZHENG	2013-10-28						
surface	linear	appr	PM ZHENG	2013-10-28	product family	PwrBlade	rel level	Released		
	angular				title	5DCP+20S VERTICAL SOLDER RECEPT	cat. no.	*	Product - Customer Drw	sheet 1 of 4
					www.fci.com		dwg no	51940-515	rev	A

PRODUCT NUMBER

51940-515__
NOTE: 3

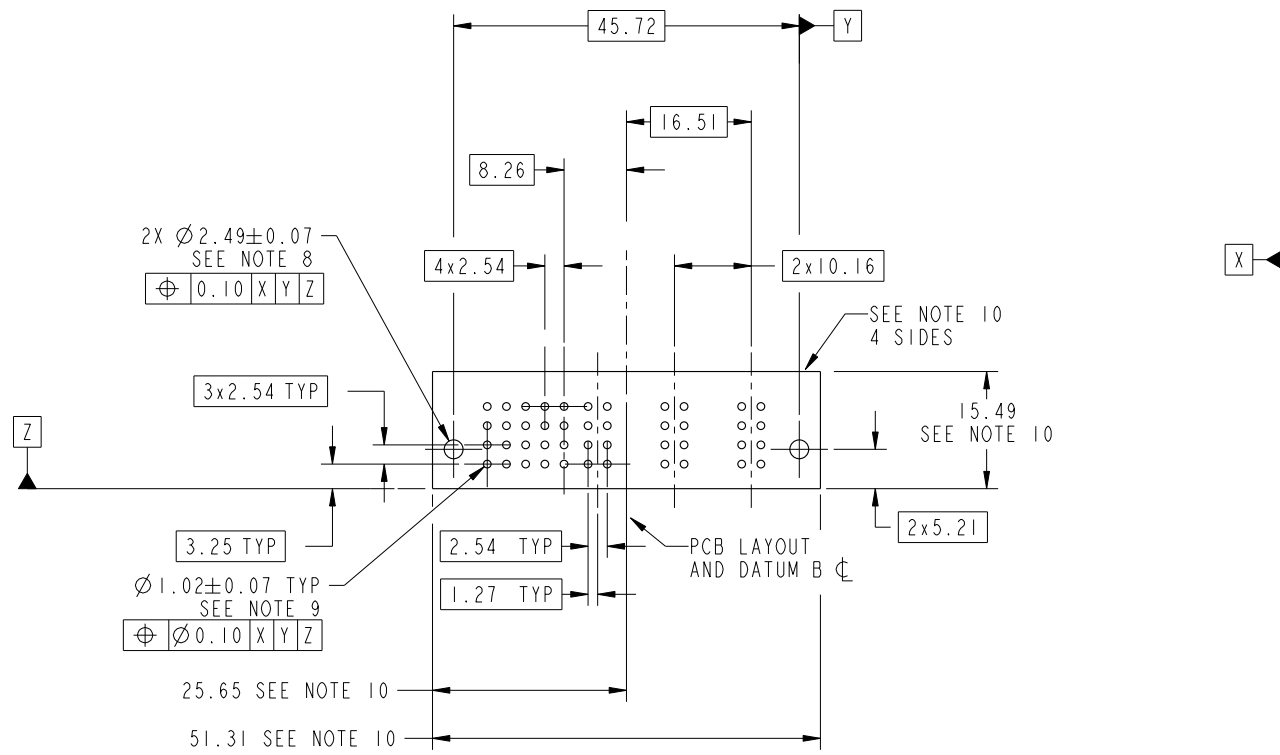


Copyright FCI.

dr	MT Ruan	2013-10-28	projection 	MM 	size	A4	scale	1:1
eng	MT Ruan	2013-10-28			ecn no	*		
chr	PM ZHENG	2013-10-28			rel level	Released		
appr	PM ZHENG	2013-10-28	product family	PwrBlade	rev	A		
		title 5DCP+20S VERTICAL SOLDER RECEIPT	dwg no 51940-515	cat. no. *	Product - Customer Drw	sheet 2 of 4		

PRODUCT NUMBER

51940-515__
NOTE: 3



RECOMMENDED PCB LAYOUT

dr	MT Ruan	2013-10-28	projection 	MM 	size	A4	scale	1:1	
eng	MT Ruan	2013-10-28			ecn no	*			
chr	PM ZHENG	2013-10-28			rel level	Released			
appr	PM ZHENG	2013-10-28	product family	PwrBlade					
		title	5DCP+20S VERTICAL SOLDER RECEIPT		dwg no	51940-515		rev	A
www.fci.com		cat. no.	*		Product - Customer Drw			sheet 3 of 4	

PRODUCT NUMBER

51940-515__
NOTE: 3

NOTES:

1. DIMENSIONS AND TOLERANCES ARE IN ACCORDANCE WITH ASME Y14.5M, 1994 UNLESS OTHERWISE SPECIFIED.

CONNECTOR NOTES:

② HOUSING MATERIAL: UL 94 V-0 GLASS FILLED HIGH-TEMP THERMOPLASTIC
POWER CONTACT MATERIAL: COPPER ALLOY
SIGNAL PIN MATERIAL: COPPER ALLOY

3. SEE ITEM 5 & 6 IN PRINT 10064183 FOR PLATING SPEC OF 51940-515 AND 51940-515LF RESPECTIVELY.

④ MANUFACTURER'S NAME, DATE CODE AND OPTIONAL P/N TO APPEAR ON THIS SURFACE. THE MARK CAN BE OMITTED IF THERE IS NOT ENOUGH SPACE ON THIS SURFACE.

5. PRODUCT SPECIFICATION GS-12-149.
APPLICATION SPECIFICATION BUS-20-067.

6. PACKAGED IN TRAYS.

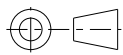
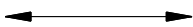

PCB NOTES:

7. ALL HOLE DIAMETERS ARE FINISHED HOLE SIZE.

⑧ MOUNTING HOLES, WHERE APPLICABLE, ARE UNPLATED.

⑨ $\varnothing 1.151 \pm 0.025$ DRILLED HOLES PLATED WITH
0.008 MIN SnPb OR Sn OVER 0.03
TO 0.08 Cu PLATING TO ACHIEVE
 $\varnothing 1.02 \pm 0.07$ HOLE.

10. CONNECTOR KEEP-OUT ZONE.

dr	MT Ruan	2013-10-28	projection 	MM 	size	A4	scale	1:1
eng	MT Ruan	2013-10-28			ecn no	*		
chr	PM ZHENG	2013-10-28			product family	PwrBlade	rel level	Released
appr	PM ZHENG	2013-10-28			rev	51940-515	A	
		title			5DCP+20S		VERTICAL SOLDER RECEPT	
www.fci.com		cat. no.	*	Product - Customer Drw		sheet 4 of 4		